



Swing Check Ball Valves

- One-piece Combination for Applications Requiring In-line Ball Valve and Check Valves
- Compact, Space-Saving Design
- True Union Design Allows Easy Service and Cleaning
- High Grade EPDM Seals
- Replaceable PTFE HDPE Ball Valve Seats
- Safety-Blocked™ Seal Carrier on Ball Valve
- Replaceable Sealed Check Valve Cartridge
- Suitable for Horizontal or Vertical Up-flow Installations
- Socket End Connections



Pressure Rating @ 73°F (23°C), Water

Full Flow (open) 150 psi
Back Pressure (closed) 75 psi

Maximum Service Temperature

140°F (60°C)

Temperature/Pressure De-ratings Apply

General Installation Information:

Swing Check Ball Valves are designed for horizontal installations, but may be installed in an up-flow only vertical position. The Check Valve portion **MUST** be installed with the valve's FLOW arrow pointing in the direction of flow and with the designated side up in horizontal installations. Do Not install Check Valve upside down. The Ball Valve portion may be rotated and installed in any position. Flow velocity should not exceed 5 ft./sec. Minimum opening pressure is less than 0.5 psi.

PVC Swing Check Ball Valve

Part Number	Size	Std Pk	Mstr Ctn	Prod Code	MSRP
-------------	------	--------	----------	-----------	------

Socket x Socket

7622-015	1-1/2	10	0	026	47.17
7622-020	2	6	0	026	67.69

CTS Valves and Stops

All Spears® CTS valve and stops are certified Lead-Free and listed for potable water service by NSF International. Spears® offers a wide variety of EverTUFF® CTS Valves and Supply Stops for system flow control that are pressure rated to 100 psi @ 180°F. These include economical Residential or full port Commercial CTS Ball Valves for quarter turn shutoff throughout the system. CTS 1/4-turn Angle and Straight Supply Stop valves designed for connection to flexible supply lines serve to connect faucets, toilets and other fixtures.

Ball Valve - Commercial CTS

Socket with EPDM O-ring Seal

100 psi Maximum Internal Pressure @ 180°F (82°C)
NSF® Certified Lead Free

1922-005	1/2	25	200	217	19.11
----------	-----	----	-----	-----	-------



Part Number	Size	Std Pk	Mstr Ctn	Prod Code	MSRP
-------------	------	--------	----------	-----------	------

Ball Valve - Commercial CTS (continued)

Socket with EPDM O-ring Seal

1922-007	3/4	24	0	217	27.71
1922-010	1	25	0	217	35.52
1922-012	1-1/4	8	0	217	60.49
1922-015	1-1/2	6	0	217	84.35
1922-020	2	4	0	217	107.44

Ball Valve - Residential CTS

Socket x Socket

100 psi Maximum Internal Pressure @ 180°F (82°C)
NSF® Certified Lead Free

1922R-005	1/2	72	0	217	11.07
1922R-007	3/4	36	0	217	15.76
1922R-010	1	24	0	217	27.42
1922R-012	1-1/4	8	32	217	55.65
1922R-015	1-1/2	6	0	217	65.46
1922R-020	2	4	16	217	85.53



Quarter Turn Angle Supply Stop

Socket x NPT

100 psi @ 180°F (82°C)

Male Thread for Connection to Flexible Supply Line having 1/2" Female NPT Thread Inlet - NSF® Certified Lead Free

7722-005	1/2	50	400	217	11.27
7722-073	1/2X3/8	50	400	217	11.27



Quarter Turn Angle Supply Stop

SR Fipt x NPT

100 psi @ 180°F (82°C)

Male Thread for Connection to Flexible Supply Line having 1/2" Female NPT Thread Inlet - NSF® Certified Lead Free

7721-005SR	1/2	50	400	217	12.81
7721-073SR	1/2X3/8	50	400	217	12.81



Quarter Turn Angle Supply Stop

Socket x Comp Thread

100 psi @ 180°F (82°C)

Male Thread for Connection to Flexible Supply Line having 1/4", 3/8" or 1/2" Female Compression Thread Inlet - NSF® Certified Lead Free

7722CM-072	1/2X1/4	72	0	217	11.27
7722CM-073	1/2X3/8	72	0	217	11.27
7722-005	1/2	50	400	217	11.27



Valves Product
CTS Valves and Stops & Ball Valve Accessories



CTS Valves and Stops

Part Number	Size	Std Pk	Mstr Ctn	Prod Code	MSRP
-------------	------	--------	----------	-----------	------

Quarter Turn Straight Supply Stop

Socket x Comp Thread

100 psi @ 180°F (82°C)
 Male Thread for Connection to Flexible Supply Line having Female 3/8" or 1/2" Compression Thread Inlet - NSF® Certified Lead Free

7422CM-073	1/2X3/8	72	0	217	11.27
7422CM-005	1/2	72	0	217	11.27



Quarter Turn Straight Supply Stop

Socket x NPT

100 psi @ 180°F (82°C)
 Male Thread for Connection to Flexible Supply Line having Female 1/2" NPT Thread Inlet - NSF® Certified Lead Free

7422-005	1/2	72	0	217	11.27
----------	-----	----	---	-----	-------



Quarter Turn Straight Valve

Socket x Mipt

NSF® Certified Lead Free

CSV-0500-12T	1/2X1/2	72	0	17R	8.77
--------------	---------	----	---	-----	------



Stop Valve - Red Handle

Socket x Socket

NSF® Certified Lead Free

8422-005	1/2	36	0	217	13.45
8422-007	3/4	36	0	217	13.45



Stop Valve - Clear Handle

Socket x Socket

NSF® Certified Lead Free

8422CH-005	1/2	36	0	217	13.45
8422CH-007	3/4	36	0	217	13.45



Stop & Waste Valve

Socket x Socket

NSF® Certified Lead Free

8422W-005	1/2	36	0	217	14.11
8422W-007	3/4	36	0	217	14.11



Part Number	Size	Std Pk	Mstr Ctn	Prod Code	MSRP
-------------	------	--------	----------	-----------	------

Boiler Drain Valve

Socket x MHT

NSF® Certified Lead Free

82MH-005	1/2	36	0	217	14.11
82MH-007	3/4	36	0	217	14.11



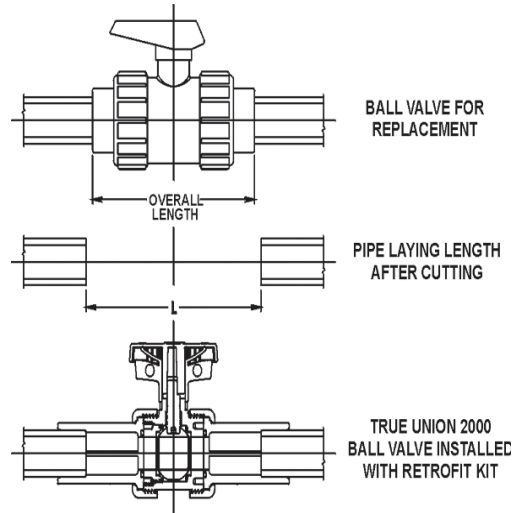
Ball Valve Accessories

Retrofit End Connector Sets (Socket Style Only)

Special extended Socket end connectors allow in-line replacement of other brand valves with Spears® True Union 2000 Ball Valves, 3-Way Ball Valves, and True Union 2000 Ball Check Valves.

Kit includes 2 Extended End Connectors with O-rings

Retrofit Kit For Other Brand Valves



Size	1/2	3/4	1	1-1/4	1-1/2	2	2-1/2	3	4
L	4-29/32	5-7/16	6-3/32	7-1/4	7-1/2	8-17/32	10-3/4	11-7/16	14-15/16

True Union Retrofit Kits - Other Brand Valves (Socket Style Only) PVC

Size	EPDM	FKM	Std Pk	Mstr Pk	Prod Code
1/2	RFK2-005 11.25	RFK3-005 14.66	1	25	299