

# Valves Product Sewer Disconnect



**Spears® Sewer Disconnect functions as both cleanout and disconnect device, plus helps prevent sewage backup during hurricanes and floods. Complete unit consists of body and plunger (sold separately - both parts are required for proper use). The plunger can be screwed into the body to block solids waste flow. The plunger should be removed from the body and stored when not in use to prevent accidental closing (i.e., from ground vibration, etc.).**

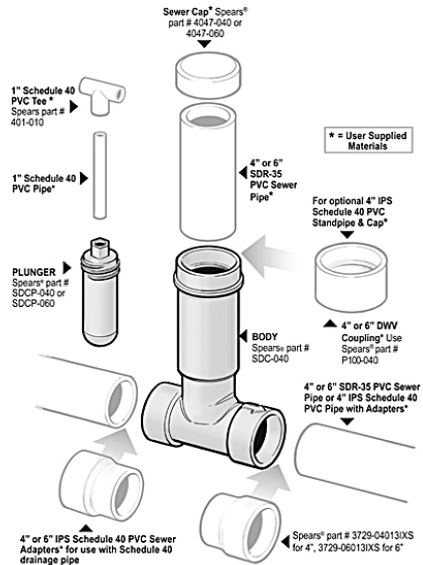


- Connects directly to 4" or 6" SDR-35 (or any ASTM D3034/D2729) PVC Sewer Pipe.
- Easily adapted to 4" or 6" Schedule 40 PVC Drainage Pipe with addition of IPS x Sewer Adapters, Socket x Spigot, Spears® part no. 3729-04013IXS for 4" or 3729-06013IXS for 6".
- User-supplied standpipe can be installed to grade using PVC Sewer Pipe connected to the body branch socket and a Sewer Cap to close off (Spears® part no. 4047-040 for 4" or 4047-060 for 6"). Optionally, user-supplied Schedule 40 Pipe can be used for standpipe with addition of a Schedule 40 DWV Socket Coupling (Spears® part no. P100-040 for 4" or P100-060 for 6") and Cap (Spears® part no. P116-040 for 4" or P116-060 for 6").
- T-handle for Plunger operation can be easily fabricated from user-supplied 1" Schedule 40 Pipe and Tee fitting (Spears® part no. 401-010).

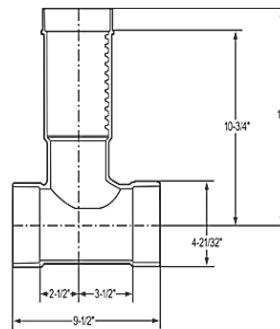


Note - the unit restricts flow by approximately 85%. As a result, the unit must be located in the sewer line where solids are present. Full disconnect is not achieved without solids in the flow.

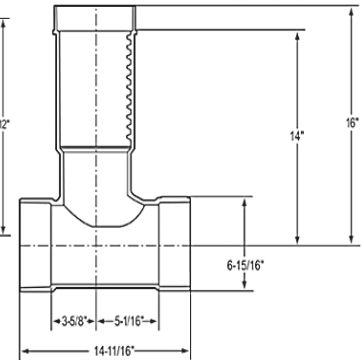
### Auxiliary Components (Purchased Separately)



### 4" Basic Dimensions



### 6" Basic Dimensions



### Sewer Disconnect

#### Sewer Disconnect Body

Part Number	Size	Std Pk	Mstr Ctn	Prod Code	MSRP
-------------	------	--------	----------	-----------	------

#### Sewer Socket X Sewer Socket.

Requires Purchase of SDCP-040 or SDCP-060 Plunger

SDC-040	4	6	0	055	80.51
SDC-060	6	2	0	055	122.57

#### Sewer Disconnect Plunger

Part Number	Size	Std Pk	Mstr Ctn	Prod Code	MSRP
-------------	------	--------	----------	-----------	------

#### For Use With Sewer Disconnect Body Purchased Separately.

Requires Purchase of SDC-040 or SDC-060 Body

SDCP-040	4	12	0	055	27.73
SDCP-060	6	6	0	055	54.11

#### Optional IPS x SEWER Adapter

#### IPS Socket x Sewer Spigot for adapting Sewer Disconnect Body to Schedule 40 drainage pipe



3729-04013IXS	4	1	90	399	18.43
3729-06013IXS	6	1	15	399	38.89