

Valves Technical Diaphragm Check Valves



Features — PVC, CPVC

Spears® Diaphragm Check Valves do not depend on gravity, springs, or even reverse flow to seat. Resilient thermoplastic elastomer (TPE) diaphragm is the only moving component, which automatically seats when flow stops. No sticking, no chatter. This specialty elastomer exhibits high flex and tear resistance to provide excellent durability and long life. Valves are available in PVC and CPVC material size of 3/4" with socket and threaded end connections.

- "Normally Closed" operation is excellent for applications with low seating pressure
- Low cracking pressure, 1 to 1-1/2 psi
- Leak-free, silent operation
- Installs just like a Union — in ANY position
- Pressure rated to 150 psi full-flow (open), 100 psi back pressure (closed) for water @ 73°F
- Santoprene™ TPE diaphragm seat provides extended life and durability — fully serviceable and replaceable
- All materials are NSF® Certified for use with potable water

Sample Engineering Specification

All thermoplastic Diaphragm Check Valves shall be Diaphragm design constructed from PVC Type 1, ASTM D 1784 Cell Classification 12454 or CPVC Type IV, ASTM D 1784 Cell Classification 23447. Valves shall be socket or threaded ends. All diaphragms shall be Santoprene™ TPE material. Valves shall be pressure rated at 150 psi full-flow (open), 100 psi back pressure (closed) for water @ 73°F, as manufactured by Spears® Manufacturing Company.

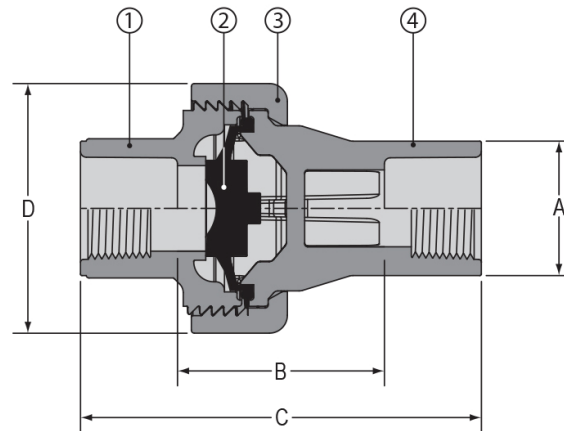
Quick-View Diaphragm Check Valve Selection Chart

Valve Size	Seat Material	PVC Material ¹		Pressure Rating
		Socket	Threaded	
3/4	SANTOPRENE™	6562-007	6561-007	150 psi @ 73°F Full Flow (open) 100 psi Back Pressure

1: For CPVC Diaphragm Check Valve, add the letter "C" to the part number (e.g. 6562-007C)

Replacement Parts

No.	Component	Qty	Material
1	Body Inlet	1	PVC/CPVC
2	Diaphragm	1	Santoprene™ Rubber
3	Nut	1	PVC/CPVC
4	Body Outlet	1	PVC/CPVC



Dimensions & Weights

Nominal Size	Dimension Reference (inches, ±1/16)					Approx. Wt. (Lbs.)	
	A	B		C	D	PVC	CPVC
		Socket	Threaded				
3/4	1-7/16	2-1/8	2-5/8	4-1/8	2-21/32	.32	.34

NOTE: Check valves **MUST** be installed with the valve's **FLOW** arrow pointing in the direction of the flow. Flow velocity should not exceed 5 ft./sec. Do not use Union Nut to draw together system components. Using a strap wrench, tighten hand-tight plus no more than 1/16 turn. Do not use conventional pipe wrenches.