



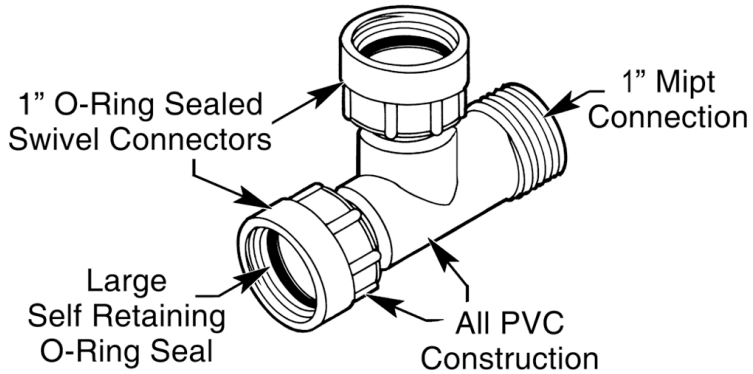
# **PVC Irrigation Manifold System**



## **ENGINEERING GUIDE**

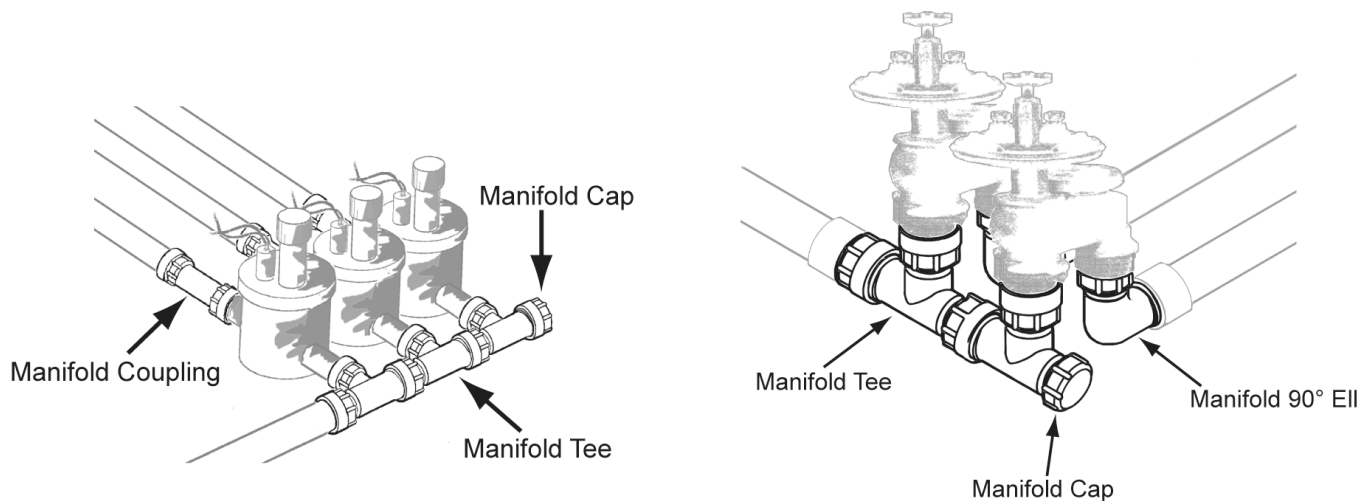
Contact Spears® for any Information not found.

**1" Manifold Tees & Companion Fitting Configurations  
Designed For Uniform Irrigation Control Valve Installations**



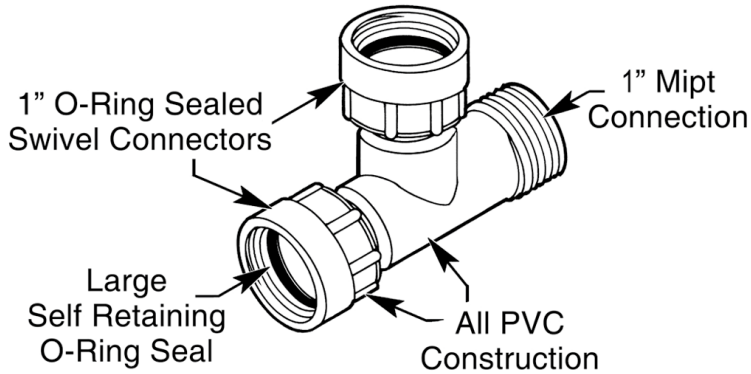
- O-ring Sealed Swivel Connections Require No Thread Sealants - Large Cross-section O-ring Allows Hand Tight Assembly for Positive Seal
- Compatible with all 1" IPS Pipe Thread Outlets
- Pressure Rated to 150 psi @ 73°F (23°C)

**Typical Application  
Hundreds of Variation Possibilities**





**1" Manifold Tees & Companion Fitting Configurations  
Designed For Uniform Irrigation Control Valve Installations**



- O-ring Sealed Swivel Connections Require No Thread Sealants - Large Cross-section O-ring Allows Hand Tight Assembly for Positive Seal
- Compatible with all 1" IPS Pipe Thread Outlets
- Pressure Rated to 150 psi @ 73°F (23°C)

**Typical Application  
Hundreds of Variation Possibilities**

