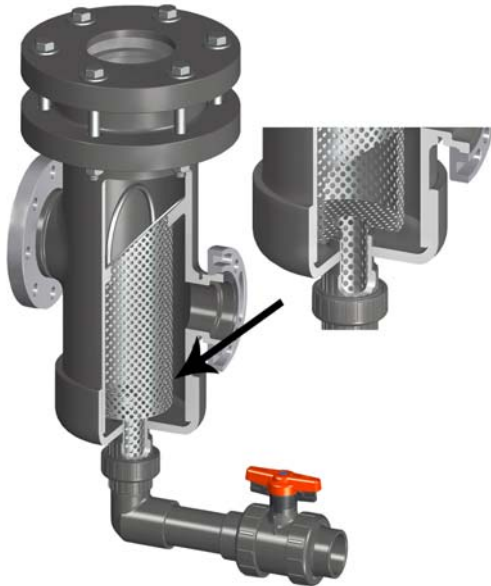


Filters & Strainers Product
Suction Strainers



Suction Strainers



Pressure Rating @ 73°F (23°C),
 Water 50 psi

Maximum Service Temperature
 PVC = 140°F (60°C)

Temperature/Pressure De-ratings Apply

Suction Strainer is a special Basket Strainer design that reduces pressure drop, a critical element in suction line applications. While same-size (inlet/outlet) units are available, enlarged inlet on reducing sizes performs best in suction line applications. The internal Strainer Basket is bottom-drained for direct flushing through a 360° adjustable side mounted Discharge Valve Assembly (included). Bolt-on Bonnet is fitted with Top Sight-Glass.

Standard units listed have EPDM Seals and Stainless Steel 3/16" Perforated Screen (4-mesh). Contact Spears® for other Mesh Code or Elastomer seal options required.

Suction Strainer PVC

Part Number	Size	Std Pk	Mstr Ctn	Prod Code	MSRP
Flanged End					
SS23BS4SG-040	4	1	0	295	3302.28
SS23BS4SG-420	4X2	1	0	295	3145.65
SS23BS4SG-421	4X2-1/2	1	0	295	3157.95
SS23BS4SG-422	4X3	1	0	295	3165.99
SS23BS4SG-060	6	1	0	295	4307.52
SS23BS4SG-532	6X4	1	0	295	4161.43
SS23BS4SG-080	8	1	0	295	4731.22

Suction Strainer PVC (continued)

Part Number	Size	Std Pk	Mstr Ctn	Prod Code	MSRP
Flanged End					
SS23BS4SG-582	8X4	1	0	295	4302.14
SS23BS4SG-585	8X6	1	0	295	4327.11
SS23BS4SG-100	10	1	0	295	5292.59
SS23BS4SG-626	10X6	1	0	295	5150.85
SS23BS4SG-628	10X8	1	0	295	5209.52
SS23BS4SG-120	12	1	0	295	5819.27
SS23BS4SG-668	12X8	1	0	295	5678.59
SS23BS4SG-670	12X10	1	0	295	5726.40

Suction Strainer Stainless Steel Baskets 3/16" Perforation

Part Number	Size	Std Pk	Mstr Ctn	Prod Code	MSRP
SSS4-040	4	1	4	299	915.78
SSS4-060	6	1	2	299	974.24
SSS4-080	8	1	2	299	1220.86
SSS4-100	10	1	0	299	1327.03
SSS4-120	12	1	2	299	2784.12