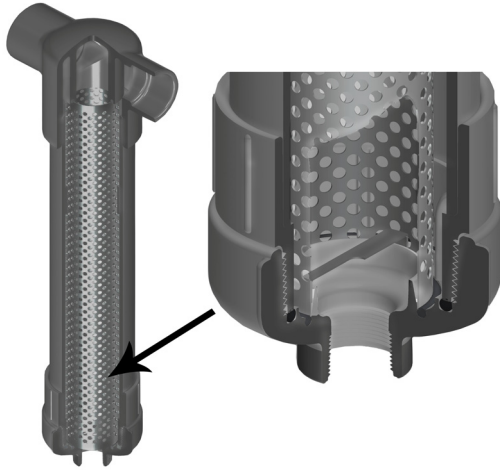


Filters & Strainers Product
In-line Tee-Style Filters



In-line Tee-Style Filters



Socket/Spigot

All Filters are 2-1/2"x 2-1/2"
 Inlet/Outlet Connection

Note: 2-1/2" Socket is also a 3" Spigot

Pressure Rating @ 73°F
 (23°C), Water
 200 psi

Mesh Size Codes

| Mesh Size | Size Code |
|-------------|-----------|
| 1/16" Holes | 16 |
| 1/32" Holes | 32 |
| 50 Mesh | 50 |
| 76 Mesh | 76 |
| 100 Mesh | 100 |
| 150 Mesh | 150 |
| 200 Mesh | 200 |

Note: Standard flow filtration path is internal to external. Reverse-flow filtration flows from external to internal side of filter screen.

Industrial Tee Filter - 100 GPM PVC Gray

| Size | EPDM | FKM | Std Pk | Mstr Pk | Prod Code |
|------|------|-----|--------|---------|-----------|
|------|------|-----|--------|---------|-----------|

Stainless Steel Screen

| | | | | | |
|----|------------------|------------------|---|---|-----|
| 16 | TF2-16 760.19 | TF3-16 816.68 | 1 | 0 | 295 |
|----|------------------|------------------|---|---|-----|

Industrial Tee Filter - 100 GPM PVC Gray (continued)

| Size | EPDM | FKM | Std Pk | Mstr Pk | Prod Code |
|------|------|-----|--------|---------|-----------|
|------|------|-----|--------|---------|-----------|

Stainless Steel Screen

| | | | | | |
|-----|--------------------|--------------------|---|---|-----|
| 32 | TF2-32 777.33 | TF3-32 835.16 | 1 | 0 | 295 |
| 50 | TF2-50 880.94 | TF3-50 997.27 | 1 | 0 | 295 |
| 76 | TF2-76 1064.08 | TF3-76 1143.29 | 1 | 0 | 295 |
| 100 | TF2-100 967.24 | TF3-100 1039.16 | 1 | 0 | 295 |
| 150 | TF2-150 1001.86 | TF3-150 1076.28 | 1 | 0 | 295 |
| 200 | TF2-200 1088.35 | TF3-200 1169.22 | 1 | 0 | 295 |

Standard TF2-16, TF2-32, TF3-16, TF3-32, MTF2-16, MTF2-32, MTF3-16 & MTF3-32 can be utilized as Reverse Flow Filters by reversing installation from current inlet to outlet and current outlet to inlet.

Industrial Tee Filter - 50 GPM PVC Gray

| Size | EPDM | FKM | Std Pk | Mstr Pk | Prod Code |
|------|------|-----|--------|---------|-----------|
|------|------|-----|--------|---------|-----------|

Stainless Steel Screen

| | | | | | |
|-----|--------------------|--------------------|---|---|-----|
| 16 | MTF2-16 639.14 | MTF3-16 686.60 | 1 | 0 | 295 |
| 32 | MTF2-32 649.48 | MTF3-32 697.82 | 1 | 0 | 295 |
| 50 | MTF2-50 670.17 | MTF3-50 720.02 | 1 | 0 | 295 |
| 76 | MTF2-76 811.76 | MTF3-76 872.15 | 1 | 0 | 295 |
| 100 | MTF2-100 708.16 | MTF3-100 760.72 | 1 | 0 | 295 |
| 150 | MTF2-150 742.76 | MTF3-150 798.02 | 1 | 0 | 295 |
| 200 | MTF2-200 829.05 | MTF3-200 890.79 | 1 | 0 | 295 |

Standard TF2-16, TF2-32, TF3-16, TF3-32, MTF2-16, MTF2-32, MTF3-16 & MTF3-32 can be utilized as Reverse Flow Filters by reversing installation from current inlet to outlet and current outlet to inlet.

Industrial Reverse Flow Tee Filter - 100 GPM PVC Gray

| Size | EPDM | FKM | Std Pk | Mstr Pk | Prod Code |
|------|------|-----|--------|---------|-----------|
|------|------|-----|--------|---------|-----------|

Stainless Steel Screen

| | | | | | |
|-----|---------------------|---------------------|---|---|-----|
| 16 | TF2-16 760.19 | TF3-16 816.68 | 1 | 0 | 295 |
| 32 | TF2-32 777.33 | TF3-32 835.16 | 1 | 0 | 295 |
| 50 | TFR2-50 880.94 | TFR3-50 946.40 | 1 | 0 | 295 |
| 76 | TFR2-76 1064.08 | TFR3-76 1143.29 | 1 | 0 | 295 |
| 100 | TFR2-100 967.24 | TFR3-100 1039.16 | 1 | 0 | 295 |
| 150 | TFR2-150 1001.86 | TFR3-150 1076.28 | 1 | 0 | 295 |
| 200 | TFR2-200 1088.35 | TFR3-200 1169.22 | 1 | 0 | 295 |

Standard TF2-16, TF2-32, TF3-16, TF3-32, MTF2-16, MTF2-32, MTF3-16 & MTF3-32 can be utilized as Reverse Flow Filters by reversing installation from current inlet to outlet and current outlet to inlet.



Filters & Strainers Product
In-line Tee-Style Filters

In-line Tee-Style Filters

Industrial Reverse Flow Tee Filter - 50 GPM PVC Gray

| Size | EPDM | FKM | Std Pk | Mstr Pk | Prod Code |
|------|------|-----|--------|---------|-----------|
|------|------|-----|--------|---------|-----------|

Stainless Steel Screen

| | | | | | |
|-----|---------------------|---------------------|---|---|-----|
| 16 | MTF2-16 639.14 | MTF3-16 686.60 | 1 | 0 | 295 |
| 32 | MTF2-32 649.48 | MTF3-32 697.82 | 1 | 0 | 295 |
| 50 | MTFR2-50 670.17 | MTFR3-50 720.02 | 1 | 0 | 295 |
| 76 | MTFR2-76 811.76 | MTFR3-76 872.15 | 1 | 0 | 295 |
| 100 | MTFR2-100 708.16 | MTFR3-100 760.72 | 1 | 0 | 295 |
| 150 | MTFR2-150 742.76 | MTFR3-150 798.02 | 1 | 0 | 295 |
| 200 | MTFR2-200 829.05 | MTFR3-200 890.79 | 1 | 0 | 295 |

Standard TF2-16, TF2-32, TF3-16, TF3-32, MTF2-16, MTF2-32, MTF3-16 & MTF3-32 can be utilized as Reverse Flow Filters by reversing installation from current inlet to outlet and current outlet to inlet.

Industrial Tee Filter - 100 GPM CPVC

| Size | EPDM | FKM | Std Pk | Mstr Pk | Prod Code |
|------|------|-----|--------|---------|-----------|
|------|------|-----|--------|---------|-----------|

Stainless Steel Screen

| | | | | | |
|-----|---------------------|---------------------|---|---|-----|
| 16 | TF2-16C 983.54 | TF3-16C 1056.62 | 1 | 0 | 296 |
| 32 | TF2-32C 1005.59 | TF3-32C 1080.55 | 1 | 0 | 296 |
| 50 | TF2-50C 1139.91 | TF3-50C 1224.34 | 1 | 0 | 296 |
| 76 | TF2-76C 1376.61 | TF3-76C 1479.22 | 1 | 0 | 296 |
| 100 | TF2-100C 1251.29 | TF3-100C 1344.40 | 1 | 0 | 296 |
| 150 | TF2-150C 1296.05 | TF3-150C 1392.56 | 1 | 0 | 296 |
| 200 | TF2-200C 1408.00 | TF3-200C 1512.61 | 1 | 0 | 296 |

Standard TF2-16C, TF2-32C, TF3-16C, TF3-32C, MTF2-16C, MTF2-32C, MTF3-16C & MTF3-32C can be utilized as Reverse Flow Filters by reversing installation from current inlet to outlet and current outlet to inlet.

Industrial Tee Filter - 50 GPM CPVC

| Size | EPDM | FKM | Std Pk | Mstr Pk | Prod Code |
|------|------|-----|--------|---------|-----------|
|------|------|-----|--------|---------|-----------|

Stainless Steel Screen

| | | | | | |
|-----|----------------------|-----------------------|---|---|-----|
| 16 | MTF2-16C 826.85 | MTF3-16C 888.23 | 1 | 0 | 296 |
| 32 | MTF2-32C 840.25 | MTF3-32C 902.82 | 1 | 0 | 296 |
| 50 | MTFR2-50C 867.03 | MTFR3-50C 931.49 | 1 | 0 | 296 |
| 76 | MTFR2-76C 1050.19 | MTFR3-76C 1128.36 | 1 | 0 | 296 |
| 100 | MTFR2-100C 916.04 | MTFR3-100C 984.05 | 1 | 0 | 296 |
| 150 | MTFR2-150C 960.98 | MTFR3-150C 1031.19 | 1 | 0 | 296 |

Industrial Tee Filter - 50 GPM CPVC (continued)

| Size | EPDM | FKM | Std Pk | Mstr Pk | Prod Code |
|------|------|-----|--------|---------|-----------|
|------|------|-----|--------|---------|-----------|

Stainless Steel Screen

| | | | | | |
|-----|----------------------|----------------------|---|---|-----|
| 200 | MTF2-200C 1072.59 | MTF3-200C 1152.43 | 1 | 0 | 296 |
|-----|----------------------|----------------------|---|---|-----|

Standard TF2-16C, TF2-32C, TF3-16C, TF3-32C, MTF2-16C, MTF2-32C, MTF3-16C & MTF3-32C can be utilized as Reverse Flow Filters by reversing installation from current inlet to outlet and current outlet to inlet.

Industrial Reverse Flow Tee Filter - 100 GPM CPVC

| Size | EPDM | FKM | Std Pk | Mstr Pk | Prod Code |
|------|------|-----|--------|---------|-----------|
|------|------|-----|--------|---------|-----------|

Stainless Steel Screen

| | | | | | |
|-----|----------------------|----------------------|---|---|-----|
| 16 | TF2-16C 983.54 | TF3-16C 1056.62 | 1 | 0 | 296 |
| 32 | TF2-32C 1005.59 | TF3-32C 1080.55 | 1 | 0 | 296 |
| 50 | TFR2-50C 1139.91 | TFR3-50C 1224.34 | 1 | 0 | 296 |
| 76 | TFR2-76C 1376.61 | TFR3-76C 1479.22 | 1 | 0 | 296 |
| 100 | TFR2-100C 1251.29 | TFR3-100C 1344.40 | 1 | 0 | 296 |
| 150 | TFR2-150C 1296.05 | TFR3-150C 1392.56 | 1 | 0 | 296 |
| 200 | TFR2-200C 1408.00 | TFR3-200C 1512.61 | 1 | 0 | 296 |

Standard TF2-16C, TF2-32C, TF3-16C, TF3-32C, MTF2-16C, MTF2-32C, MTF3-16C & MTF3-32C can be utilized as Reverse Flow Filters by reversing installation from current inlet to outlet and current outlet to inlet.

Industrial Reverse Flow Tee Filter - 50 GPM CPVC

| Size | EPDM | FKM | Std Pk | Mstr Pk | Prod Code |
|------|------|-----|--------|---------|-----------|
|------|------|-----|--------|---------|-----------|

Stainless Steel Screen

| | | | | | |
|-----|-----------------------|-----------------------|---|---|-----|
| 16 | MTF2-16C 826.85 | MTF3-16C 888.23 | 1 | 0 | 296 |
| 32 | MTF2-32C 840.25 | MTF3-32C 902.82 | 1 | 0 | 296 |
| 50 | MTFR2-50C 867.03 | MTFR3-50C 931.49 | 1 | 0 | 296 |
| 76 | MTFR2-76C 1050.19 | MTFR3-76C 1128.36 | 1 | 0 | 296 |
| 100 | MTFR2-100C 916.04 | MTFR3-100C 984.05 | 1 | 0 | 296 |
| 150 | MTFR2-150C 960.98 | MTFR3-150C 1031.19 | 1 | 0 | 296 |
| 200 | MTFR2-200C 1072.59 | MTFR3-200C 1152.43 | 1 | 0 | 296 |

Standard TF2-16C, TF2-32C, TF3-16C, TF3-32C, MTF2-16C, MTF2-32C, MTF3-16C & MTF3-32C can be utilized as Reverse Flow Filters by reversing installation from current inlet to outlet and current outlet to inlet.

Industrial Tee Filter Replacement Screens for TF Filters -100 GPM

| Part Number | Size | Std Pk | Mstr Ctn | Prod Code | MSRP |
|-------------|-------------|--------|----------|-----------|--------|
| FL-16-1 | 1/16" Holes | 3 | 0 | 020 | 233.73 |
| FL-32-1 | 1/32" Holes | 3 | 0 | 020 | 254.97 |
| FL-50-1 | 50 Mesh | 3 | 0 | 020 | 504.65 |
| FL-76-1 | 76 Mesh | 3 | 0 | 020 | 499.34 |
| FL-100-1 | 100 Mesh | 3 | 0 | 020 | 393.11 |
| FL-150-1 | 150 Mesh | 3 | 0 | 020 | 424.96 |

Filters & Strainers Product
In-line Tee-Style Filters



In-line Tee-Style Filters

Industrial Tee Filter Replacement Screens for TF Filters -100

GPM (continued)

| Part Number | Size | Std Pk | Mstr Ctn | Prod Code | MSRP |
|-------------|-----------------|--------|----------|-----------|--------|
| FL-200-1 | 200 Mesh | 3 | 0 | 020 | 525.89 |

NOTE: When ordering replacement screens for TF Series Filters, please provide exact length of old screen within 1/64" to insure proper fit of new screen in your filter body.

Industrial Tee Filter Replacement Screens for MTF Filters - 50

GPM

| Part Number | Size | Std Pk | Mstr Ctn | Prod Code | MSRP |
|-------------|--------------------|--------|----------|-----------|--------|
| MFL-16-1 | 1/16" Holes | 3 | 0 | 020 | 233.73 |
| MFL-32-1 | 1/32" Holes | 3 | 0 | 020 | 244.36 |
| MFL-50-1 | 50 Mesh | 3 | 0 | 020 | 265.61 |
| MFL-76-1 | 76 Mesh | 3 | 0 | 020 | 377.15 |
| MFL-100-1 | 100 Mesh | 3 | 0 | 020 | 292.18 |
| MFL-150-1 | 150 Mesh | 3 | 0 | 020 | 324.05 |
| MFL-200-1 | 200 Mesh | 3 | 0 | 020 | 398.38 |

NOTE: When ordering replacement screens for MTF Series Filters, please provide exact length of old screen within 1/64" to insure proper fit of new screen in your filter body.

Industrial Reverse Flow Tee Filter Replacement Screens for TFR Filters - 100 GPM

| Part Number | Size | Std Pk | Mstr Ctn | Prod Code | MSRP |
|-------------|--------------------|--------|----------|-----------|--------|
| FL-16-1 | 1/16" Holes | 3 | 0 | 020 | 233.73 |
| FL-32-1 | 1/32" Holes | 3 | 0 | 020 | 254.97 |
| FLR-50-1 | 50 Mesh | 3 | 0 | 020 | 256.20 |
| FLR-76-1 | 76 Mesh | 3 | 0 | 020 | 499.34 |
| FLR-100-1 | 100 Mesh | 3 | 0 | 020 | 354.76 |
| FLR-150-1 | 150 Mesh | 3 | 0 | 020 | 403.71 |
| FLR-200-1 | 200 Mesh | 3 | 0 | 020 | 499.60 |

Industrial Reverse Flow Tee Filter Replacement Screens for MTFR Filters - 50 GPM

| Part Number | Size | Std Pk | Mstr Ctn | Prod Code | MSRP |
|-------------|--------------------|--------|----------|-----------|--------|
| MFL-16-1 | 1/16" Holes | 3 | 0 | 020 | 233.73 |
| MFL-32-1 | 1/32" Holes | 3 | 0 | 020 | 244.36 |
| MFLR-50-1 | 50 Mesh | 3 | 0 | 020 | 269.69 |
| MFLR-76-1 | 76 Mesh | 3 | 0 | 020 | 377.15 |
| MFLR-100-1 | 100 Mesh | 3 | 0 | 020 | 277.55 |
| MFLR-150-1 | 150 Mesh | 3 | 0 | 020 | 307.83 |
| MFLR-200-1 | 200 Mesh | 3 | 0 | 020 | 378.45 |