



# Industrial Strainers & Filters



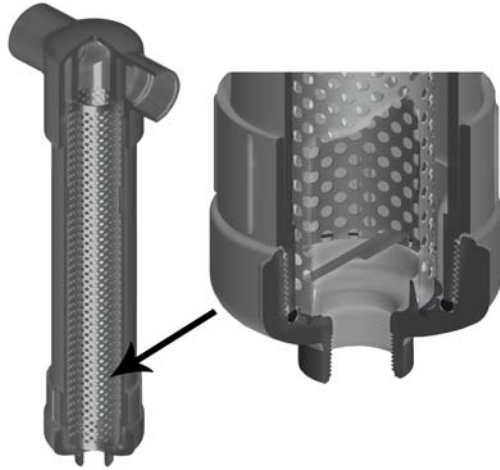
## **PRODUCT**

Contact Spears® for any Information not found.



## Filters & Strainers Product In-line Tee-Style Filters

### In-line Tee-Style Filters



Socket/Spigot

All Filters are 2-1/2" x 2-1/2"  
Inlet/Outlet Connection

Note: 2-1/2" Socket is also a 3" Spigot

Pressure Rating @ 73°F  
(23°C), Water  
200 psi

#### Mesh Size Codes

Mesh Size	Size Code
1/16" Holes	16
1/32" Holes	32
50 Mesh	50
76 Mesh	76
100 Mesh	100
150 Mesh	150
200 Mesh	200

Note: Standard flow filtration path is internal to external. Reverse-flow filtration flows from external to internal side of filter screen.

#### Industrial Tee Filter - 100 GPM PVC Gray

Size	EPDM	FKM	Std Pk	Mstr Pk	Prod Code
------	------	-----	--------	---------	-----------

#### Stainless Steel Screen

16	TF2-16 800.20	TF3-16 859.66	1	0	295
----	------------------	------------------	---	---	-----

#### Industrial Tee Filter - 100 GPM PVC Gray (continued)

Size	EPDM	FKM	Std Pk	Mstr Pk	Prod Code
------	------	-----	--------	---------	-----------

#### Stainless Steel Screen

32	TF2-32 818.24	TF3-32 879.12	1	0	295
50	TF2-50 927.31	TF3-50 1049.76	1	0	295
76	TF2-76 1120.08	TF3-76 1203.46	1	0	295
100	TF2-100 1018.15	TF3-100 1093.85	1	0	295
150	TF2-150 1054.59	TF3-150 1132.93	1	0	295
200	TF2-200 1145.63	TF3-200 1230.76	1	0	295

Standard TF2-16, TF2-32, TF3-16, TF3-32, MTF2-16, MTF2-32, MTF3-16 & MTF3-32 can be utilized as Reverse Flow Filters by reversing installation from current inlet to outlet and current outlet to inlet.

#### Industrial Tee Filter - 50 GPM PVC Gray

Size	EPDM	FKM	Std Pk	Mstr Pk	Prod Code
------	------	-----	--------	---------	-----------

#### Stainless Steel Screen

16	MTF2-16 672.78	MTF3-16 722.74	1	0	295
32	MTF2-32 683.66	MTF3-32 734.55	1	0	295
50	MTF2-50 705.44	MTF3-50 757.92	1	0	295
76	MTF2-76 854.48	MTF3-76 918.05	1	0	295
100	MTF2-100 745.43	MTF3-100 800.76	1	0	295
150	MTF2-150 781.85	MTF3-150 840.02	1	0	295
200	MTF2-200 872.68	MTF3-200 937.67	1	0	295

Standard TF2-16, TF2-32, TF3-16, TF3-32, MTF2-16, MTF2-32, MTF3-16 & MTF3-32 can be utilized as Reverse Flow Filters by reversing installation from current inlet to outlet and current outlet to inlet.

#### Industrial Reverse Flow Tee Filter - 100 GPM PVC Gray

Size	EPDM	FKM	Std Pk	Mstr Pk	Prod Code
------	------	-----	--------	---------	-----------

#### Stainless Steel Screen

16	TF2-16 800.20	TF3-16 859.66	1	0	295
32	TF2-32 818.24	TF3-32 879.12	1	0	295
50	TFR2-50 927.31	TFR3-50 996.21	1	0	295
76	TFR2-76 1120.08	TFR3-76 996.21	1	0	295
100	TFR2-100 1018.15	TFR3-100 1093.85	1	0	295
150	TFR2-150 1054.59	TFR3-150 1132.93	1	0	295
200	TFR2-200 1145.63	TFR3-200 1230.76	1	0	295

Standard TF2-16, TF2-32, TF3-16, TF3-32, MTF2-16, MTF2-32, MTF3-16 & MTF3-32 can be utilized as Reverse Flow Filters by reversing installation from current inlet to outlet and current outlet to inlet.

**Filters & Strainers Product**  
**In-line Tee-Style Filters**



**In-line Tee-Style Filters**

**Industrial Reverse Flow Tee Filter - 50 GPM PVC Gray**

Size	EPDM	FKM	Std Pk	Mstr Pk	Prod Code
------	------	-----	--------	---------	-----------

**Stainless Steel Screen**

16	MTF2-16 672.78	MTF3-16 722.74	1	0	295
32	MTF2-32 683.66	MTF3-32 734.55	1	0	295
50	MTFR2-50 705.44	MTFR3-50 757.92	1	0	295
76	MTFR2-76 705.44	MTFR3-76 918.05	1	0	295
100	MTFR2-100 745.43	MTFR3-100 800.76	1	0	295
150	MTFR2-150 781.85	MTFR3-150 840.02	1	0	295
200	MTFR2-200 872.68	MTFR3-200 937.67	1	0	295

Standard TF2-16, TF2-32, TF3-16, TF3-32, MTF2-16, MTF2-32, MTF3-16 & MTF3-32 can be utilized as Reverse Flow Filters by reversing installation from current inlet to outlet and current outlet to inlet.

**Industrial Tee Filter - 100 GPM CPVC**

Size	EPDM	FKM	Std Pk	Mstr Pk	Prod Code
------	------	-----	--------	---------	-----------

**Stainless Steel Screen**

16	TF2-16C 1035.31	TF3-16C 1112.23	1	0	296
32	TF2-32C 1058.52	TF3-32C 1137.42	1	0	296
50	TF2-50C 1199.91	TF3-50C 1288.78	1	0	296
76	TF2-76C 1449.06	TF3-76C 1557.07	1	0	296
100	TF2-100C 1317.15	TF3-100C 1415.16	1	0	296
150	TF2-150C 1364.26	TF3-150C 1465.85	1	0	296
200	TF2-200C 1482.11	TF3-200C 1592.22	1	0	296

Standard TF2-16C, TF2-32C, TF3-16C, TF3-32C, MTF2-16C, MTF2-32C, MTF3-16C & MTF3-32C can be utilized as Reverse Flow Filters by reversing installation from current inlet to outlet and current outlet to inlet.

**Industrial Tee Filter - 50 GPM CPVC**

Size	EPDM	FKM	Std Pk	Mstr Pk	Prod Code
------	------	-----	--------	---------	-----------

**Stainless Steel Screen**

16	MTF2-16C 870.37	MTF3-16C 934.98	1	0	296
32	MTF2-32C 884.47	MTF3-32C 950.34	1	0	296
50	MTF2-50C 912.66	MTF3-50C 980.52	1	0	296
76	MTF2-76C 1105.46	MTF3-76C 1187.75	1	0	296
100	MTF2-100C 964.25	MTF3-100C 1035.84	1	0	296
150	MTF2-150C 1011.56	MTF3-150C 1085.46	1	0	296

Made in the U.S.A.

**Industrial Tee Filter - 50 GPM CPVC (continued)**

Size	EPDM	FKM	Std Pk	Mstr Pk	Prod Code
------	------	-----	--------	---------	-----------

**Stainless Steel Screen**

200	MTF2-200C 1129.04	MTF3-200C 1213.08	1	0	296
-----	----------------------	----------------------	---	---	-----

Standard TF2-16C, TF2-32C, TF3-16C, TF3-32C, MTF2-16C, MTF2-32C, MTF3-16C & MTF3-32C can be utilized as Reverse Flow Filters by reversing installation from current inlet to outlet and current outlet to inlet.

**Industrial Reverse Flow Tee Filter - 100 GPM CPVC**

Size	EPDM	FKM	Std Pk	Mstr Pk	Prod Code
------	------	-----	--------	---------	-----------

**Stainless Steel Screen**

16	TF2-16C 1035.31	TF3-16C 1112.23	1	0	296
32	TF2-32C 1058.52	TF3-32C 1137.42	1	0	296
50	TFR2-50C 980.62	TFR3-50C 1288.78	1	0	296
76	TFR2-76C 980.62	TFR3-76C 1288.78	1	0	296
100	TFR2-100C 1022.30	TFR3-100C 1323.56	1	0	296
150	TFR2-150C 1098.80	TFR3-150C 1383.95	1	0	296
200	TFR2-200C 1124.53	TFR3-200C 1445.44	1	0	296

Standard TF2-16C, TF2-32C, TF3-16C, TF3-32C, MTF2-16C, MTF2-32C, MTF3-16C & MTF3-32C can be utilized as Reverse Flow Filters by reversing installation from current inlet to outlet and current outlet to inlet.

**Industrial Reverse Flow Tee Filter - 50 GPM CPVC**

Size	EPDM	FKM	Std Pk	Mstr Pk	Prod Code
------	------	-----	--------	---------	-----------

**Stainless Steel Screen**

16	MTF2-16C 870.37	MTF3-16C 934.98	1	0	296
32	MTF2-32C 884.47	MTF3-32C 950.34	1	0	296
50	MTFR2-50C 912.66	MTFR3-50C 980.52	1	0	296
76	MTFR2-76C 912.66	MTFR3-76C 1187.75	1	0	296
100	MTFR2-100C 934.40	MTFR3-100C 1035.84	1	0	296
150	MTFR2-150C 1011.56	MTFR3-150C 1085.46	1	0	296
200	MTFR2-200C 1072.15	MTFR3-200C 1213.08	1	0	296

Standard TF2-16C, TF2-32C, TF3-16C, TF3-32C, MTF2-16C, MTF2-32C, MTF3-16C & MTF3-32C can be utilized as Reverse Flow Filters by reversing installation from current inlet to outlet and current outlet to inlet.

**Industrial Tee Filter Replacement Screens for TF Filters -100 GPM**

Part Number	Size	Std Pk	Mstr Ctn	Prod Code	MSRP
FL-16-1	1/16" Holes	4	0	020	246.03
FL-32-1	1/32" Holes	4	0	020	268.39
FL-50-1	50 Mesh	4	0	020	383.12
FL-76-1	76 Mesh	4	0	020	383.12
FL-100-1	100 Mesh	4	0	020	413.80
FL-150-1	150 Mesh	4	0	020	447.33



Filters & Strainers Product  
**In-line Tee-Style Filters**

**In-line Tee-Style Filters**

**Industrial Tee Filter Replacement Screens for TF Filters -100**

**GPM (continued)**

Part Number	Size	Std Pk	Mstr Ctn	Prod Code	MSRP
FL-200-1	<b>200 Mesh</b>	4	0	020	553.57

NOTE: When ordering replacement screens for TF Series Filters, please provide exact length of old screen within 1/64" to insure proper fit of new screen in your filter body.

**Industrial Tee Filter Replacement Screens for MTF Filters - 50**

**GPM**

Part Number	Size	Std Pk	Mstr Ctn	Prod Code	MSRP
MFL-16-1	<b>1/16" Holes</b>	4	0	020	201.42
MFL-32-1	<b>1/32" Holes</b>	4	0	020	232.70
MFL-50-1	<b>50 Mesh</b>	4	0	020	279.59
MFL-76-1	<b>76 Mesh</b>	4	0	020	279.59
MFL-100-1	<b>100 Mesh</b>	4	0	020	307.56
MFL-150-1	<b>150 Mesh</b>	4	0	020	341.11
MFL-200-1	<b>200 Mesh</b>	4	0	020	419.35

NOTE: When ordering replacement screens for MTF Series Filters, please provide exact length of old screen within 1/64" to insure proper fit of new screen in your filter body.

**Industrial Reverse Flow Tee Filter Replacement Screens for TFR Filters - 100 GPM**

Part Number	Size	Std Pk	Mstr Ctn	Prod Code	MSRP
FL-16-1	<b>1/16" Holes</b>	4	0	020	246.03
FL-32-1	<b>1/32" Holes</b>	4	0	020	268.39
FLR-50-1	<b>50 Mesh</b>	4	0	020	383.12
FLR-76-1	<b>76 Mesh</b>	4	0	020	383.12
FLR-100-1	<b>100 Mesh</b>	4	0	020	413.80
FLR-150-1	<b>150 Mesh</b>	4	0	020	447.33
FLR-200-1	<b>200 Mesh</b>	4	0	020	553.57

**Industrial Reverse Flow Tee Filter Replacement Screens for MFLR Filters - 50 GPM**

Part Number	Size	Std Pk	Mstr Ctn	Prod Code	MSRP
MFL-16-1	<b>1/16" Holes</b>	4	0	020	201.42
MFL-32-1	<b>1/32" Holes</b>	4	0	020	232.70
MFLR-50-1	<b>50 Mesh</b>	4	0	020	279.59
MFLR-76-1	<b>76 Mesh</b>	4	0	020	279.59
MFLR-100-1	<b>100 Mesh</b>	4	0	020	307.56
MFLR-150-1	<b>150 Mesh</b>	4	0	020	341.11
MFLR-200-1	<b>200 Mesh</b>	4	0	020	419.35

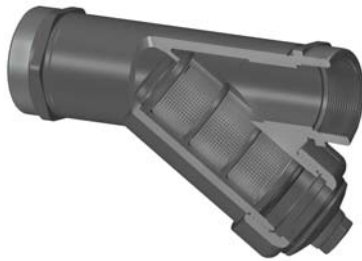
Filters & Strainers Product  
**Y-Strainers**



Socket



Flanged



SR Thread



True Union

Part numbers shown reflect a mesh size of 8. For different mesh sizes, substitute Mesh Code in part number as specified in chart below.

U.S. Standard Mesh Sieve No.	Sieve Opening Size (in.)	Part Number Mesh Code
8	0.094	8
12	0.062	12
20	0.033	20
30	0.024	30

Example: for 12 Mesh, specify  
 YS22P12-005

Additional Mesh Sizes available on request.

Pressure Rating @ 73°F (23°C), Water  
 1/2" - 2" 150 psi  
 3" - 4" 90 psi

Maximum Service Temperature  
 PVC = 140°F (60°C)  
 CPVC = 200°F (93°C)

Temperature/Pressure  
 De-ratings Apply

**Y-Strainer PVC - Socket Ends**

Size	EPDM Seals PVC Screen	EPDM Seals SS Screen	FKM Seals PVC Screen	FKM Seals SS Screen	Std Pk	Mstr Pk	Prod Code
1/2	YS22P8-005 96.44	YS22S8-005 190.85	YS32P8-005 105.33	YS32S8-005 209.69	1	18	102
3/4	YS22P8-007 107.76	YS22S8-007 218.25	YS32P8-007 118.75	YS32S8-007 246.15	1	18	102
1	YS22P8-010 118.49	YS22S8-010 258.89	YS32P8-010 130.46	YS32S8-010 284.63	1	12	102
1-1/4	YS22P8-012 200.64	YS22S8-012 373.54	YS32P8-012 222.96	YS32S8-012 411.83	1	8	102
1-1/2	YS22P8-015 212.29	YS22S8-015 398.18	YS32P8-015 235.93	YS32S8-015 437.23	1	8	102
2	YS22P8-020 249.39	YS22S8-020 449.76	YS32P8-020 277.06	YS32S8-020 499.72	1	4	102
3	YS22P8-030 574.77	YS22S8-030 776.47	YS32P8-030 617.62	YS32S8-030 819.33	1	0	102



Filters & Strainers Product

**Y-Strainers**

**Y-Strainer PVC - Socket Ends (continued)**

Size	EPDM Seals PVC Screen	EPDM Seals SS Screen	FKM Seals PVC Screen	FKM Seals SS Screen	Std Pk	Mstr Pk	Prod Code
4	YS22P8-040 1004.97	YS22S8-040 1258.44	YS32P8-040 1081.73	YS32S8-040 1335.17	1	0	102

**Y-Strainer PVC - SR Threaded Ends**

Size	EPDM Seals PVC Screen	EPDM Seals SS Screen	FKM Seals PVC Screen	FKM Seals SS Screen	Std Pk	Mstr Pk	Prod Code
1/2	YS21P8-005SR 101.64	YS21S8-005SR 196.05	YS31P8-005SR 110.49	YS31S8-005SR 214.88	1	18	102
3/4	YS21P8-007SR 115.23	YS21S8-007SR 225.72	YS31P8-007SR 126.19	YS31S8-007SR 253.67	1	12	102
1	YS21P8-010SR 129.59	YS21S8-010SR 270.02	YS31P8-010SR 141.56	YS31S8-010SR 295.78	1	8	102
1-1/4	YS21P8-012SR 218.75	YS21S8-012SR 391.63	YS31P8-012SR 241.07	YS31S8-012SR 429.93	1	8	102
1-1/2	YS21P8-015SR 234.54	YS21S8-015SR 420.43	YS31P8-015SR 258.11	YS31S8-015SR 459.60	1	4	102
2	YS21P8-020SR 288.07	YS21S8-020SR 488.44	YS31P8-020SR 315.78	YS31S8-020SR 538.43	1	0	102
3	YS21P8-030SR 623.16	YS21S8-030SR 824.67	YS31P8-030SR 665.83	YS31S8-030SR 867.52	1	0	102
4	YS21P8-040SR 1054.94	YS21S8-040SR 1308.41	YS31P8-040SR 1385.19	YS31S8-040SR 1385.19	1	0	102

**Y-Strainer PVC - Flanged Ends**

Size	EPDM Seals PVC Screen	EPDM Seals SS Screen	FKM Seals PVC Screen	FKM Seals SS Screen	Std Pk	Mstr Pk	Prod Code
1/2	YS23P8-005 157.64	YS23S8-005 266.64	YS33P8-005 174.99	YS33S8-005 348.46	1	8	102
3/4	YS23P8-007 167.48	YS23S8-007 304.46	YS33P8-007 181.62	YS33S8-007 399.37	1	8	102
1	YS23P8-010 178.82	YS23S8-010 336.55	YS33P8-010 194.80	YS33S8-010 467.66	1	8	102
1-1/4	YS23P8-012 286.67	YS23S8-012 493.20	YS33P8-012 312.54	YS33S8-012 670.12	1	4	102
1-1/2	YS23P8-015 319.45	YS23S8-015 533.03	YS33P8-015 354.72	YS33S8-015 719.09	1	4	102
2	YS23P8-020 401.63	YS23S8-020 634.88	YS33P8-020 440.69	YS33S8-020 816.92	1	0	102
3	YS23P8-030 887.16	YS23S8-030 1088.84	YS33P8-030 953.18	YS33S8-030 1155.43	1	0	102
4	YS23P8-040 1429.80	YS23S8-040 1683.28	YS33P8-040 1536.89	YS33S8-040 1790.35	1	0	102

**Y-Strainer PVC Clear - Socket Ends**

Size	EPDM Seals PVC Screen	EPDM Seals SS Screen	FKM Seals PVC Screen	FKM Seals SS Screen	Std Pk	Mstr Pk	Prod Code
1/2	YS22P8-005CL 96.44	YS22S8-005CL 190.85	YS32P8-005CL 105.33	YS32S8-005CL 209.69	1	18	103
3/4	YS22P8-007CL 107.76	YS22S8-007CL 218.25	YS32P8-007CL 118.75	YS32S8-007CL 246.15	1	18	103
1	YS22P8-010CL 118.49	YS22S8-010CL 258.89	YS32P8-010CL 130.46	YS32S8-010CL 284.63	1	12	103
1-1/4	YS22P8-012CL 200.64	YS22S8-012CL 373.54	YS32P8-012CL 222.96	YS32S8-012CL 411.83	1	8	103
1-1/2	YS22P8-015CL 212.29	YS22S8-015CL 398.18	YS32P8-015CL 235.93	YS32S8-015CL 437.23	1	8	103
2	YS22P8-020CL 249.39	YS22S8-020CL 487.09	YS32P8-020CL 277.06	YS32S8-020CL 499.72	1	4	103

**Filters & Strainers Product**  
**Y-Strainers**



**Y-Strainer PVC Clear - Socket Ends (continued)**

Size	EPDM Seals PVC Screen	EPDM Seals SS Screen	FKM Seals PVC Screen	FKM Seals SS Screen	Std Pk	Mstr Pk	Prod Code
3	YS22P8-030CL 574.77	YS22S8-030CL 776.47	YS32P8-030CL 617.62	YS32S8-030CL 819.33	1	0	103
4	YS22P8-040CL 1004.97	YS22S8-040CL 1258.44	YS32P8-040CL 1081.73	YS32S8-040CL 1335.17	1	0	103

**Y-Strainer PVC Clear - SR Threaded Ends**

Size	EPDM Seals PVC Screen	EPDM Seals SS Screen	FKM Seals PVC Screen	FKM Seals SS Screen	Std Pk	Mstr Pk	Prod Code
1/2	YS21P8-005CLSR 101.64	YS21S8-005CLSR 196.05	YS31P8-005CLSR 110.49	YS31S8-005CLSR 214.88	1	18	103
3/4	YS21P8-007CLSR 115.23	YS21S8-007CLSR 225.72	YS31P8-007CLSR 126.19	YS31S8-007CLSR 253.67	1	12	103
1	YS21P8-010CLSR 129.59	YS21S8-010CLSR 270.02	YS31P8-010CLSR 141.56	YS31S8-010CLSR 295.78	1	8	103
1-1/4	YS21P8-012CLSR 218.75	YS21S8-012CLSR 391.63	YS31P8-012CLSR 241.07	YS31S8-012CLSR 429.93	1	8	103
1-1/2	YS21P8-015CLSR 234.54	YS21S8-015CLSR 420.43	YS31P8-015CLSR 258.11	YS31S8-015CLSR 459.60	1	4	103
2	YS21P8-020CLSR 288.07	YS21S8-020CLSR 488.44	YS31P8-020CLSR 315.78	YS31S8-020CLSR 538.43	1	0	103
3	YS21P8-030CLSR 623.16	YS21S8-030CLSR 824.67	YS31P8-030CLSR 665.83	YS31S8-030CLSR 867.52	1	0	103
4	YS21P8-040CLSR 1054.94	YS21S8-040CLSR 1308.41	YS31P8-040CLSR 1385.19	YS31S8-040CLSR 1385.19	1	0	103

**Y-Strainer PVC Clear - Flanged Ends**

Size	EPDM Seals PVC Screen	EPDM Seals SS Screen	FKM Seals PVC Screen	FKM Seals SS Screen	Std Pk	Mstr Pk	Prod Code
1/2	YS23P8-005CL 157.64	YS23S8-005CL 266.64	YS33P8-005CL 174.99	YS33S8-005CL 348.46	1	8	103
3/4	YS23P8-007CL 167.48	YS23S8-007CL 304.46	YS33P8-007CL 181.62	YS33S8-007CL 399.37	1	8	103
1	YS23P8-010CL 178.82	YS23S8-010CL 336.55	YS33P8-010CL 194.80	YS33S8-010CL 467.66	1	8	103
1-1/4	YS23P8-012CL 286.67	YS23S8-012CL 493.20	YS33P8-012CL 312.54	YS33S8-012CL 670.12	1	4	103
1-1/2	YS23P8-015CL 319.45	YS23S8-015CL 533.03	YS33P8-015CL 354.72	YS33S8-015CL 719.09	1	4	103
2	YS23P8-020CL 401.63	YS23S8-020CL 634.88	YS33P8-020CL 440.69	YS33S8-020CL 816.92	1	0	103
3	YS23P8-030CL 887.16	YS23S8-030CL 1088.84	YS33P8-030CL 953.18	YS33S8-030CL 1155.43	1	0	103
4	YS23P8-040CL 1429.80	YS23S8-040CL 1683.28	YS33P8-040CL 1536.89	YS33S8-040CL 1790.35	1	0	103

**Y-Strainer CPVC - Socket Ends**

Size	EPDM Seals CPVC Screen	EPDM Seals SS Screen	FKM Seals CPVC Screen	FKM Seals SS Screen	Std Pk	Mstr Pk	Prod Code
1/2	YS22C8-005C 257.28	YS22S8-005C 353.61	YS32C8-005C 288.12	YS32S8-005C 397.47	1	18	104
3/4	YS22C8-007C 282.69	YS22S8-007C 402.14	YS32C8-007C 318.26	YS32S8-007C 452.00	1	18	104
1	YS22C8-010C 359.21	YS22S8-010C 497.39	YS32C8-010C 404.62	YS32S8-010C 558.17	1	12	104
1-1/4	YS22C8-012C 521.46	YS22S8-012C 717.65	YS32C8-012C 627.55	YS32S8-012C 759.93	1	8	104
1-1/2	YS22C8-015C 560.14	YS22S8-015C 741.32	YS32C8-015C 651.06	YS32S8-015C 828.83	1	8	104



Filters & Strainers Product

**Y-Strainers & True Union Y-Strainers**

**Y-Strainer CPVC - Socket Ends (continued)**

Size	EPDM Seals CPVC Screen	EPDM Seals SS Screen	FKM Seals CPVC Screen	FKM Seals SS Screen	Std Pk	Mstr Pk	Prod Code
2	YS22C8-020C 793.07	YS22S8-020C 929.33	YS32C8-020C 838.02	YS32S8-020C 1013.61	1	4	104
3	YS22C8-030C 946.05	YS22S8-030C 1131.69	YS32C8-030C 997.83	YS32S8-030C 1217.39	1	0	104
4	YS22C8-040C 1638.65	YS22S8-040C 1686.82	YS32C8-040C 1761.81	YS32S8-040C 2015.27	1	0	104

**Y-Strainer CPVC - SR Threaded Ends**

Size	EPDM Seals CPVC Screen	EPDM Seals SS Screen	FKM Seals CPVC Screen	FKM Seals SS Screen	Std Pk	Mstr Pk	Prod Code
1/2	YS21C8-005CSR 266.65	YS21S8-005CSR 362.97	YS31C8-005CSR 297.48	YS31S8-005CSR 406.85	1	18	104
3/4	YS21C8-007CSR 292.72	YS21S8-007CSR 412.15	YS31C8-007CSR 328.27	YS31S8-007CSR 462.03	1	12	104
1	YS21C8-010CSR 382.18	YS21S8-010CSR 520.33	YS31C8-010CSR 427.60	YS31S8-010CSR 581.08	1	8	104
1-1/4	YS21C8-012CSR 545.05	YS21S8-012CSR 700.84	YS31C8-012CSR 651.14	YS31S8-012CSR 783.55	1	8	104
1-1/2	YS21C8-015CSR 587.44	YS21S8-015CSR 768.62	YS31C8-015CSR 739.86	YS31S8-015CSR 856.13	1	4	104
2	YS21C8-020CSR 831.97	YS21S8-020CSR 968.22	YS31C8-020CSR 932.54	YS31S8-020CSR 1052.46	1	0	104
3	YS21C8-030CSR 994.25	YS21S8-030CSR 1179.88	YS31C8-030CSR 1063.87	YS31S8-030CSR 1265.57	1	0	104
4	YS21C8-040CSR 1688.62	YS21S8-040CSR 1924.25	YS31C8-040CSR 1811.79	YS31S8-040CSR 2065.27	1	0	104

**Y-Strainer CPVC - Flanged Ends**

Size	EPDM Seals CPVC Screen	EPDM Seals SS Screen	FKM Seals CPVC Screen	FKM Seals SS Screen	Std Pk	Mstr Pk	Prod Code
1/2	YS23C8-005C 414.89	YS23S8-005C 509.39	YS33C8-005C 460.51	YS33S8-005C 568.27	1	8	104
3/4	YS23C8-007C 440.69	YS23S8-007C 541.87	YS33C8-007C 477.88	YS33S8-007C 604.75	1	8	104
1	YS23C8-010C 470.59	YS23S8-010C 602.07	YS33C8-010C 512.64	YS33S8-010C 671.22	1	8	104
1-1/4	YS23C8-012C 754.36	YS23S8-012C 928.62	YS33C8-012C 822.38	YS33S8-012C 1034.04	1	4	104
1-1/2	YS23C8-015C 840.65	YS23S8-015C 1031.81	YS33C8-015C 933.41	YS33S8-015C 1151.12	1	4	104
2	YS23C8-020C 1056.92	YS23S8-020C 1290.14	YS33C8-020C 1159.75	YS33S8-020C 1349.93	1	0	104
3	YS23C8-030C 1444.06	YS23S8-030C 1631.52	YS33C8-030C 1440.49	YS33S8-030C 1754.67	1	0	104
4	YS23C8-040C 2311.59	YS23S8-040C 2547.20	YS33C8-040C 2486.51	YS33S8-040C 2740.00	1	0	104

**True Union Socket Ends - PVC Gray**

Size	EPDM PVC Screen	EPDM SS Screen	FKM PVC Screen	FKM SS Screen	Std Pk	Mstr Pk	Prod Code
1/2	YS2AP8-005 101.53	YS2AS8-005 200.87	YS3AP8-005 110.88	YS3AS8-005 220.75	1	12	102
3/4	YS2AP8-007 113.42	YS2AS8-007 229.73	YS3AP8-007 124.99	YS3AS8-007 259.13	1	8	102
1	YS2AP8-010 124.69	YS2AS8-010 272.54	YS3AP8-010 137.29	YS3AS8-010 299.64	1	8	102
1-1/4	YS2AP8-012 211.21	YS2AS8-012 393.89	YS3AP8-012 234.71	YS3AS8-012 433.48	1	4	102



Filters & Strainers Product  
**True Union Y-Strainers**



**True Union Socket Ends - PVC Gray (continued)**

Size	EPDM PVC Screen	EPDM SS Screen	FKM PVC Screen	FKM SS Screen	Std Pk	Mstr Pk	Prod Code
1-1/2	YS2AP8-015 223.51	YS2AS8-015 419.14	YS3AP8-015 248.33	YS3AS8-015 460.26	1	0	102
2	YS2AP8-020 262.51	YS2AS8-020 473.40	YS3AP8-020 291.66	YS3AS8-020 526.03	1	0	102
3	YS2AP8-030 605.03	YS2AS8-030 817.33	YS3AP8-030 650.12	YS3AS8-030 862.45	1	0	102
4	YS2AP8-040 1057.86	YS2AS8-040 1324.67	YS3AP8-040 1138.62	YS3AS8-040 1405.45	1	0	102

**True Union Threaded Ends - PVC Gray**

Size	EPDM PVC Screen	EPDM SS Screen	FKM PVC Screen	FKM SS Screen	Std Pk	Mstr Pk	Prod Code
1/2	YS2BP8-005 101.53	YS2BS8-005 200.87	YS3BP8-005 110.88	YS3BS8-005 220.75	1	12	102
3/4	YS2BP8-007 113.42	YS2BS8-007 229.73	YS3BP8-007 124.99	YS3BS8-007 259.13	1	8	102
1	YS2BP8-010 124.69	YS2BS8-010 272.54	YS3BP8-010 137.29	YS3BS8-010 299.64	1	8	102
1-1/4	YS2BP8-012 211.21	YS2BS8-012 393.89	YS3BP8-012 234.71	YS3BS8-012 433.48	1	4	102
1-1/2	YS2BP8-015 223.51	YS2BS8-015 419.14	YS3BP8-015 248.33	YS3BS8-015 460.26	1	0	102
2	YS2BP8-020 262.51	YS2BS8-020 473.40	YS3BP8-020 291.66	YS3BS8-020 526.03	1	0	102
3	YS2BP8-030 605.03	YS2BS8-030 817.33	YS3BP8-030 650.12	YS3BS8-030 862.45	1	0	102
4	YS2BP8-040 1057.86	YS2BS8-040 1324.67	YS3BP8-040 1138.62	YS3BS8-040 1405.45	1	0	102

**True Union SR Threaded Ends - PVC Gray**

Size	EPDM PVC Screen	EPDM SS Screen	FKM PVC Screen	FKM SS Screen	Std Pk	Mstr Pk	Prod Code
1/2	YS2BP8-005SR 106.97	YS2BS8-005SR 206.34	YS3BP8-005SR 116.34	YS3BS8-005SR 226.22	1	12	102
3/4	YS2BP8-007SR 121.32	YS2BS8-007SR 237.60	YS3BP8-007SR 132.83	YS3BS8-007SR 267.01	1	8	102
1	YS2BP8-010SR 136.38	YS2BS8-010SR 284.19	YS3BP8-010SR 148.98	YS3BS8-010SR 311.34	1	8	102
1-1/4	YS2BP8-012SR 230.25	YS2BS8-012SR 412.24	YS3BP8-012SR 253.75	YS3BS8-012SR 452.55	1	4	102
1-1/2	YS2BP8-015SR 246.87	YS2BS8-015SR 442.56	YS3BP8-015SR 271.71	YS3BS8-015SR 483.79	1	0	102
2	YS2BP8-020SR 303.22	YS2BS8-020SR 514.14	YS3BP8-020SR 332.41	YS3BS8-020SR 566.78	1	0	102
3	YS2BP8-030SR 655.76	YS2BS8-030SR 868.07	YS3BP8-030SR 700.84	YS3BS8-030SR 913.19	1	0	102
4	YS2BP8-040SR 1110.49	YS2BS8-040SR 1377.28	YS3BP8-040SR 1191.28	YS3BS8-040SR 1458.08	1	0	102

**True Union Socket Ends - PVC Clear**

Size	EPDM PVC Screen	EPDM SS Screen	FKM PVC Screen	FKM SS Screen	Std Pk	Mstr Pk	Prod Code
1/2	YS2AP8-005CL 101.53	YS2AS8-005CL 200.87	YS3AP8-005CL 110.88	YS3AS8-005CL 220.75	1	12	103
3/4	YS2AP8-007CL 113.42	YS2AS8-007CL 229.73	YS3AP8-007CL 124.99	YS3AS8-007CL 259.13	1	8	103
1	YS2AP8-010CL 124.69	YS2AS8-010CL 272.54	YS3AP8-010CL 137.29	YS3AS8-010CL 299.64	1	8	103



Filters & Strainers Product  
**True Union Y-Strainers**

**True Union Socket Ends - PVC Clear (continued)**

Size	EPDM PVC Screen	EPDM SS Screen	FKM PVC Screen	FKM SS Screen	Std Pk	Mstr Pk	Prod Code
1-1/4	YS2AP8-012CL 211.21	YS2AS8-012CL 393.20	YS3AP8-012CL 234.71	YS3AS8-012CL 433.48	1	4	103
1-1/2	YS2AP8-015CL 223.51	YS2AS8-015CL 419.14	YS3AP8-015CL 248.33	YS3AS8-015CL 460.26	1	0	103
2	YS2AP8-020CL 262.51	YS2AS8-020CL 473.40	YS3AP8-020CL 291.66	YS3AS8-020CL 526.03	1	0	103
3	YS2AP8-030CL 605.03	YS2AS8-030CL 817.33	YS3AP8-030CL 650.12	YS3AS8-030CL 862.45	1	0	103
4	YS2AP8-040CL 1057.86	YS2AS8-040CL 1324.67	YS3AP8-040CL 1138.62	YS3AS8-040CL 1405.45	1	0	103

**True Union Threaded Ends - PVC Clear**

Size	EPDM PVC Screen	EPDM SS Screen	FKM PVC Screen	FKM	Std Pk	Mstr Pk	Prod Code
1/2	YS2BP8-005CL 101.53	YS2BS8-005CL 200.87	YS3BP8-005CL 110.88	YS3BS8-005CL 220.75	1	12	103
3/4	YS2BP8-007CL 113.42	YS2BS8-007CL 229.73	YS3BP8-007CL 124.99	YS3BS8-007CL 259.13	1	8	103
1	YS2BP8-010CL 124.69	YS2BS8-010CL 272.55	YS3BP8-010CL 137.29	YS3BS8-010CL 299.64	1	8	103
1-1/4	YS2BP8-012CL 211.21	YS2BS8-012CL 393.20	YS3BP8-012CL 234.71	YS3BS8-012CL 433.48	1	4	103
1-1/2	YS2BP8-015CL 223.51	YS2BS8-015CL 419.14	YS3BP8-015CL 248.33	YS3BS8-015CL 460.26	1	0	103
2	YS2BP8-020CL 262.51	YS2BS8-020CL 473.40	YS3BP8-020CL 291.66	YS3BS8-020CL 526.03	1	0	103
3	YS2BP8-030CL 605.03	YS2BS8-030CL 817.33	YS3BP8-030CL 650.12	YS3BS8-030CL 862.45	1	0	103
4	YS2BP8-040CL 1057.86	YS2BS8-040CL 1324.67	YS3BP8-040CL 1138.62	YS3BS8-040CL 1405.45	1	0	103

**True Union SR Threaded Ends - PVC Clear**

Size	EPDM PVC Screen	EPDM SS Screen	FKM PVC Screen	FKM SS Screen	Std Pk	Mstr Pk	Prod Code
1/2	YS2BP8-005CLSR 106.97	YS2BS8-005CLSR 206.34	YS3BP8-005CLSR 116.34	YS3BS8-005CLSR 226.22	1	12	103
3/4	YS2BP8-007CLSR 121.32	YS2BS8-007CLSR 237.60	YS3BP8-007CLSR 132.83	YS3BS8-007CLSR 267.01	1	8	103
1	YS2BP8-010CLSR 136.38	YS2BS8-010CLSR 284.19	YS3BP8-010CLSR 148.98	YS3BS8-010CLSR 311.34	1	8	103
1-1/4	YS2BP8-012CLSR 230.25	YS2BS8-012CLSR 412.24	YS3BP8-012CLSR 253.75	YS3BS8-012CLSR 452.55	1	4	103
1-1/2	YS2BP8-015CLSR 246.87	YS2BS8-015CLSR 442.56	YS3BP8-015CLSR 271.71	YS3BS8-015CLSR 483.79	1	0	103
2	YS2BP8-020CLSR 303.22	YS2BS8-020CLSR 514.14	YS3BP8-020CLSR 332.41	YS3BS8-020CLSR 566.78	1	0	103
3	YS2BP8-030CLSR 655.76	YS2BS8-030CLSR 868.07	YS3BP8-030CLSR 700.84	YS3BS8-030CLSR 913.19	1	0	103
4	YS2BP8-040CLSR 1110.49	YS2BS8-040CLSR 1377.28	YS3BP8-040CLSR 1191.28	YS3BS8-040CLSR 1458.08	1	0	103

**True Union Socket Ends - CPVC**

Size	EPDM CPVC Screen	EPDM SS Screen	FKM CPVC Screen	FKM SS Screen	Std Pk	Mstr Pk	Prod Code
1/2	YS2AC8-005C 270.83	YS2AS8-005C 372.22	YS3AC8-005C 303.32	YS3AS8-005C 418.38	1	12	104
3/4	YS2AC8-007C 297.57	YS2AS8-007C 423.31	YS3AC8-007C 335.01	YS3AS8-007C 475.79	1	8	104

Filters & Strainers Product  
**True Union Y-Strainers**



**True Union Socket Ends - CPVC (continued)**

Size	EPDM CPVC Screen	EPDM SS Screen	FKM CPVC Screen	FKM SS Screen	Std Pk	Mstr Pk	Prod Code
1	YS2AC8-010C 378.12	YS2AS8-010C 523.59	YS3AC8-010C 425.93	YS3AS8-010C 587.53	1	8	104
1-1/4	YS2AC8-012C 548.91	YS2AS8-012C 755.42	YS3AC8-012C 660.56	YS3AS8-012C 801.06	1	4	104
1-1/2	YS2AC8-015C 589.62	YS2AS8-015C 780.33	YS3AC8-015C 685.36	YS3AS8-015C 872.44	1	0	104
2	YS2AC8-020C 834.80	YS2AS8-020C 978.23	YS3AC8-020C 882.13	YS3AS8-020C 1066.96	1	0	104
3	YS2AC8-030C 995.83	YS2AS8-030C 1191.28	YS3AC8-030C 1069.15	YS3AS8-030C 1281.45	1	0	104
4	YS2AC8-040C 1724.88	YS2AS8-040C 1972.89	YS3AC8-040C 1854.55	YS3AS8-040C 2121.36	1	0	104

**True Union Threaded Ends - CPVC**

Size	EPDM CPVC Screen	EPDM SS Screen	FKM CPVC Screen	FKM SS Screen	Std Pk	Mstr Pk	Prod Code
1/2	YS2BC8-005C 270.83	YS2BS8-005C 372.22	YS3BC8-005C 303.32	YS3BS8-005C 418.38	1	12	104
3/4	YS2BC8-007C 297.57	YS2BS8-007C 423.31	YS3BC8-007C 335.01	YS3BS8-007C 475.79	1	8	104
1	YS2BC8-010C 378.12	YS2BS8-010C 523.59	YS3BC8-010C 425.93	YS3BS8-010C 587.53	1	8	104
1-1/4	YS2BC8-012C 548.91	YS2BS8-012C 755.42	YS3BC8-012C 660.56	YS3BS8-012C 799.94	1	4	104
1-1/2	YS2BC8-015C 589.62	YS2BS8-015C 780.33	YS3BC8-015C 685.36	YS3BS8-015C 872.44	1	0	104
2	YS2BC8-020C 834.80	YS2BS8-020C 978.23	YS3BC8-020C 882.13	YS3BS8-020C 1066.96	1	0	104
3	YS2BC8-030C 995.83	YS2BS8-030C 1191.28	YS3BC8-030C 1053.06	YS3BS8-030C 1281.45	1	0	104
4	YS2BC8-040C 1724.88	YS2BS8-040C 1972.89	YS3BC8-040C 1854.55	YS3BS8-040C 2121.36	1	0	104

**True Union SR Threaded Ends - CPVC**

Size	EPDM CPVC Screen	EPDM SS Screen	FKM CPVC Screen	FKM SS Screen	Std Pk	Mstr Pk	Prod Code
1/2	YS2BC8-005CSR 280.71	YS2BS8-005CSR 382.04	YS3BC8-005CSR 313.14	YS3BS8-005CSR 428.26	1	12	104
3/4	YS2BC8-007CSR 308.13	YS2BS8-007CSR 433.82	YS3BC8-007CSR 345.56	YS3BS8-007CSR 486.35	1	12	104
1	YS2BC8-010CSR 402.27	YS2BS8-010CSR 547.66	YS3BC8-010CSR 450.08	YS3BS8-010CSR 612.00	1	8	104
1-1/4	YS2BC8-012CSR 573.72	YS2BS8-012CSR 737.73	YS3BC8-012CSR 685.39	YS3BS8-012CSR 824.77	1	4	104
1-1/2	YS2BC8-015CSR 618.34	YS2BS8-015CSR 809.07	YS3BC8-015CSR 778.78	YS3BS8-015CSR 901.19	1	0	104
2	YS2BC8-020CSR 875.77	YS2BS8-020CSR 1019.17	YS3BC8-020CSR 981.62	YS3BS8-020CSR 1107.86	1	0	104
3	YS2BC8-030CSR 1046.59	YS2BS8-030CSR 1242.01	YS3BC8-030CSR 1119.85	YS3BS8-030CSR 1332.18	1	0	104
4	YS2BC8-040CSR 1777.48	YS2BS8-040CSR 2025.53	YS3BC8-040CSR 1907.15	YS3BS8-040CSR 2173.94	1	0	104



Filters & Strainers Product  
**Y-Strainer Repair Kits**

**Y-Strainer PVC Repair Kits**

Size	EPDM Seals PVC Screen	EPDM Seals SS Screen	FKM Seals PVC Screen	FKM Seals SS Screen	Std Pk	Mstr Pk	Prod Code
<b>1/2</b>	YS-EP8-005 <b>69.02</b>	YS-ES8-005 <b>147.48</b>	YS-VP8-005 <b>76.03</b>	YS-VS8-005 <b>164.47</b>	1	18	299
<b>3/4</b>	YS-EP8-007 <b>77.56</b>	YS-ES8-007 <b>161.42</b>	YS-VP8-007 <b>97.85</b>	YS-VS8-007 <b>171.37</b>	1	18	299
<b>1</b>	YS-EP8-010 <b>98.46</b>	YS-ES8-010 <b>166.91</b>	YS-VP8-010 <b>105.74</b>	YS-VS8-010 <b>178.88</b>	1	12	299
<b>1-1/4</b>	YS-EP8-012 <b>119.03</b>	YS-ES8-012 <b>205.26</b>	YS-VP8-012 <b>134.67</b>	YS-VS8-012 <b>207.91</b>	1	12	299
<b>1-1/2</b>	YS-EP8-015 <b>122.83</b>	YS-ES8-015 <b>218.80</b>	YS-VP8-015 <b>145.24</b>	YS-VS8-015 <b>209.28</b>	1	12	299
<b>2</b>	YS-EP8-020 <b>161.77</b>	YS-ES8-020 <b>248.20</b>	YS-VP8-020 <b>191.60</b>	YS-VS8-020 <b>250.01</b>	1	4	299
<b>3</b>	YS-EP8-030 <b>260.55</b>	YS-ES8-030 <b>452.82</b>	YS-VP8-030 <b>310.25</b>	YS-VS8-030 <b>499.84</b>	1	0	299
<b>4</b>	YS-EP8-040 <b>385.60</b>	YS-ES8-040 <b>597.60</b>	YS-VP8-040 <b>476.62</b>	YS-VS8-040 <b>732.04</b>	1	0	299

**Kit Includes Elastomer Seals, Bonnet Nut, Screen Support Housing, Support Ring, Designated Screen, Retainer Clip, and Drain Plug**

Part numbers shown reflect a mesh size of 8. For different mesh sizes, substitute Mesh Code in part number as specified in chart at beginning of Y-Strainer listings

**Y-Strainer CPVC Repair Kits**

Size	EPDM Seals CPVC Screen	EPDM Seals SS Screen	FKM Seals CPVC Screen	FKM Seals SS Screen	Std Pk	Mstr Pk	Prod Code
<b>1/2</b>	YS-EC8-005 <b>113.46</b>	YS-ES8-005C <b>229.45</b>	YS-VC8-005 <b>145.15</b>	YS-VS8-005C <b>272.18</b>	1	18	299
<b>3/4</b>	YS-EC8-007 <b>125.95</b>	YS-ES8-007C <b>259.83</b>	YS-VC8-007 <b>171.38</b>	YS-VS8-007C <b>313.35</b>	1	18	299
<b>1</b>	YS-EC8-010 <b>137.40</b>	YS-ES8-010C <b>310.25</b>	YS-VC8-010 <b>201.11</b>	YS-VS8-010C <b>393.63</b>	1	18	299
<b>1-1/4</b>	YS-EC8-012 <b>193.17</b>	YS-ES8-012C <b>339.61</b>	YS-VC8-012 <b>241.55</b>	YS-VS8-012C <b>491.01</b>	1	12	299
<b>1-1/2</b>	YS-EC8-015 <b>238.23</b>	YS-ES8-015C <b>356.35</b>	YS-VC8-015 <b>302.72</b>	YS-VS8-015C <b>604.24</b>	1	12	299
<b>2</b>	YS-EC8-020 <b>278.48</b>	YS-ES8-020C <b>469.81</b>	YS-VC8-020 <b>354.13</b>	YS-VS8-020C <b>784.08</b>	1	12	299
<b>3</b>	YS-EC8-030 <b>464.75</b>	YS-ES8-030C <b>683.18</b>	YS-VC8-030 <b>541.06</b>	YS-VS8-030C <b>914.23</b>	1	4	299
<b>4</b>	YS-EC8-040 <b>795.57</b>	YS-ES8-040C <b>932.97</b>	YS-VC8-040 <b>929.04</b>	YS-VS8-040C <b>1175.99</b>	1	0	299

Part numbers shown reflect a mesh size of 8. For different mesh sizes, substitute Mesh Code in part number as specified in chart at beginning of Y-Strainer listings

**Y-Strainer Repair Kits & Y-Strainer Magnetic Drain Plugs**



**Y-Strainer Repair Kits**

**Y-Strainer O-ring Repair Kits**

Size	EPDM O-ring Kits	FKM O-ring Kits	Std Pk	Mstr Pk	Prod Code
------	------------------	-----------------	--------	---------	-----------

**Kit Includes Housing O-ring, Plug O-ring and True Union Endconnector O-rings in Designated Elastomer**

1/2	YS-ERKU-005 <b>1.54</b>	YS-VRKU-005 <b>3.19</b>	1	10	299
3/4	YS-ERKU-007 <b>1.63</b>	YS-VRKU-007 <b>3.65</b>	1	10	299
1	YS-ERKU-010 <b>2.03</b>	YS-VRKU-010 <b>4.01</b>	1	10	299
1-1/4	YS-ERKU-012 <b>2.55</b>	YS-VRKU-012 <b>5.08</b>	1	10	299
1-1/2	YS-ERKU-015 <b>3.07</b>	YS-VRKU-015 <b>9.84</b>	1	10	299
2	YS-ERKU-020 <b>3.71</b>	YS-VRKU-020 <b>13.74</b>	1	10	299
3	YS-ERKU-030 <b>5.49</b>	YS-VRKU-030 <b>24.82</b>	1	10	299
4	YS-ERKU-040 <b>6.25</b>	YS-VRKU-040 <b>31.02</b>	1	10	299

For use ins all Spears® PVC & CPVC Y-Strainers

**Y-Strainer Magnetic Drain Plugs**

Part Number	Size	Std Pk	Mstr Ctn	Prod Code	MSRP
-------------	------	--------	----------	-----------	------



**Magnetic Drain Plugs - PVC**

Optional Drain Plug Replacement

MDP-007	<b>1/2 &amp; 3/4</b>	1	25	299	191.49
MDP-010	<b>1</b>	1	25	299	209.98
MDP-012	<b>1-1/4</b>	1	25	299	229.68
MDP-015	<b>1-1/2 to 4</b>	1	25	299	251.04



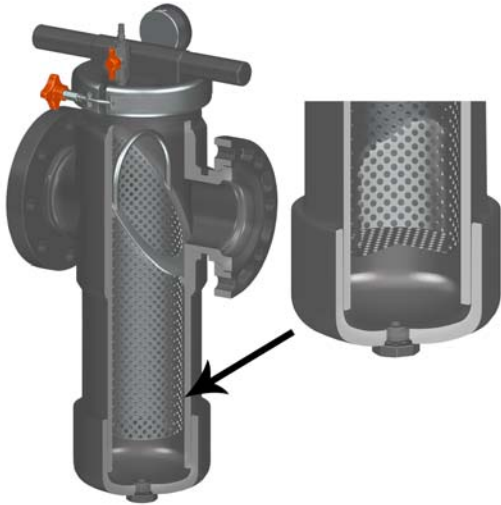
**Magnetic Drain Plug - CPVC**

Optional Drain Plug Replacement

MDP-007C	<b>1/2 &amp; 3/4</b>	1	10	299	203.97
MDP-010C	<b>1</b>	1	25	299	229.77
MDP-012C	<b>1-1/4</b>	1	25	299	249.04
MDP-015C	<b>1-1/2 to 4</b>	1	10	299	261.93



Filters & Strainers Product  
**Basket Strainers**



**Important Ordering Information** - Column headings indicate Elastomer seal type and Strainer Basket screen material. All Part Numbers shown designate 1/8" perforated (#6 Mesh Code) Strainer Basket Screens. To order other screen perforation sizing, replace the number "6" preceding the dash-separator with the corresponding Mesh Code from chart. MSRP is the same for all listed Mesh Codes.

Perforation Size	Mesh Code
1/16"	12
3/32"	8
1/8"	6
3/16"	4
1/4"	3
3/8"	2

**Pressure Rating**  
 @ 73°F (23°C), Water

1/2"-8" 150 psi  
 10"-12" 50 psi

**Maximum Service Temperature**

PVC = 140°F (60°C)  
 CPVC = 200°F (93°C)

Temperature/Pressure  
 De-ratings Apply

**Example:** To order a 1/16" screen perforation in listed part number BS22P6-020, change the part number to BS22P12 -020

Contact Spears® for additional perforations & wire mesh sizes

**PVC - Socket Ends**

Size	EPDM Seals PVC Screen	EPDM Seals SS Screen	FKM Seals PVC Screen	FKM Seals SS Screen	Std Pk	Mstr Pk	Prod Code
1/2	BS22P6-005 451.03	BS22S6-005 721.31	BS32P6-005 474.77	BS32S6-005 745.04	1	2	295
3/4	BS22P6-007 451.03	BS22S6-007 721.31	BS32P6-007 474.77	BS32S6-007 745.04	1	2	295
1	BS22P6-010 721.31	BS22S6-010 721.31	BS32P6-010 474.77	BS32S6-010 745.04	1	2	295
1-1/4	BS22P6-012 826.14	BS22S6-012 1185.32	BS32P6-012 928.01	BS32S6-012 1332.12	1	0	295
1-1/2	BS22P6-015 826.14	BS22S6-015 1185.32	BS32P6-015 928.01	BS32S6-015 1332.12	1	0	295
2	BS22P6-020 826.14	BS22S6-020 1185.32	BS32P6-020 928.01	BS32S6-020 1332.12	1	0	295
2-1/2	BS22P6-025 1562.43	BS22S6-025 2186.47	BS32P6-025 1756.39	BS32S6-025 2456.79	1	0	295
3	BS22P6-030 1906.36	BS22S6-030 2529.76	BS32P6-030 2142.04	BS32S6-030 2842.47	1	0	295
4	BS22P6-040 2524.59	BS22S6-040 3241.57	BS32P6-040 2836.60	BS32S6-040 3632.22	1	0	295
6	BS22P6-060 3604.17	BS22S6-060 4844.45	BS32P6-060 4049.76	BS32S6-060 5449.89	1	0	295
8	BS22P6-080 4804.02	BS22S6-080 6489.93	BS32P6-080 5398.93	BS32S6-080 7293.60	1	0	295
10	BS22P6-100 9206.24	BS22S6-100 11614.98	BS32P6-100 10068.26	BS32S6-100 12773.34	1	0	295
12	BS22P6-120 11406.23	BS22S6-120 14611.87	BS32P6-120 12544.35	BS32S6-120 16142.92	1	0	295

Filters & Strainers Product  
**Basket Strainers**



**PVC - Flanged Ends**

Size	EPDM Seals PVC Screen	EPDM Seals SS Screen	FKM Seals PVC Screen	FKM Seals SS Screen	Std Pk	Mstr Pk	Prod Code
1/2	BS23P6-005 519.93	BS23S6-005 790.18	BS33P6-005 545.99	BS33S6-005 816.25	1	0	295
3/4	BS23P6-007 519.93	BS23S6-007 790.18	BS33P6-007 545.99	BS33S6-007 816.25	1	0	295
1	BS23P6-010 519.93	BS23S6-010 790.18	BS33P6-010 545.99	BS33S6-010 816.25	1	0	295
1-1/4	BS23P6-012 982.11	BS23S6-012 1342.43	BS33P6-012 1104.47	BS33S6-012 1508.57	1	0	295
1-1/2	BS23P6-015 982.11	BS23S6-015 1314.16	BS33P6-015 1104.47	BS33S6-015 1508.57	1	0	295
2	BS23P6-020 982.11	BS23S6-020 1342.43	BS33P6-020 1104.47	BS33S6-020 1508.57	1	0	295
2-1/2	BS23P6-025 1802.61	BS23S6-025 2426.05	BS33P6-025 2025.55	BS33S6-025 2725.96	1	0	295
3	BS23P6-030 2288.65	BS23S6-030 2911.17	BS33P6-030 2571.51	BS33S6-030 3270.78	1	0	295
4	BS23P6-040 2982.76	BS23S6-040 3692.16	BS33P6-040 3351.59	BS33S6-040 4148.54	1	0	295
6	BS23P6-060 6366.05	BS23S6-060 7606.12	BS33P6-060 7152.83	BS33S6-060 8546.23	1	0	295
8	BS23P6-080 8389.09	BS23S6-080 10121.66	BS33P6-080 9426.26	BS33S6-080 11320.87	1	0	295
10	BS23P6-100 11184.42	BS23S6-100 13592.97	BS33P6-100 12566.82	BS33S6-100 15273.01	1	0	295
12	BS23P6-120 15304.21	BS23S6-120 18511.92	BS33P6-120 17195.75	BS33S6-120 20799.91	1	0	295

**PVC - Spigot Ends**

Size	EPDM Seals PVC Screen	EPDM Seals SS Screen	FKM Seals PVC Screen	FKM Seals SS Screen	Std Pk	Mstr Pk	Prod Code
1/2	BS27P6-005 451.03	BS27S6-005 721.31	BS37P6-005 474.77	BS37S6-005 745.04	1	0	295
3/4	BS27P6-007 451.03	BS27S6-007 721.31	BS37P6-007 474.77	BS37S6-007 745.04	1	0	295
1	BS27P6-010 451.03	BS27S6-010 721.31	BS37P6-010 474.77	BS37S6-010 745.04	1	0	295
1-1/4	BS27P6-012 826.14	BS27S6-012 1185.32	BS37P6-012 928.01	BS37S6-012 1332.12	1	0	295
1-1/2	BS27P6-015 826.14	BS27S6-015 1185.32	BS37P6-015 928.01	BS37S6-015 1332.12	1	0	295
2	BS27P6-020 826.14	BS27S6-020 1185.32	BS37P6-020 928.01	BS37S6-020 1332.12	1	0	295
2-1/2	BS27P6-025 1562.43	BS27S6-025 2186.51	BS37P6-025 1756.39	BS37S6-025 2456.79	1	0	295
3	BS27P6-030 1906.36	BS27S6-030 2529.76	BS37P6-030 2142.04	BS37S6-030 2842.47	1	0	295
4	BS27P6-040 2524.59	BS27S6-040 3241.57	BS37P6-040 2836.60	BS37S6-040 3632.22	1	0	295
6	BS27P6-060 3604.17	BS27S6-060 4844.45	BS37P6-060 4049.76	BS37S6-060 5449.89	1	0	295
8	BS27P6-080 4804.02	BS27S6-080 6489.93	BS37P6-080 5398.93	BS37S6-080 7293.60	1	0	295
10	BS27P6-100 9206.24	BS27S6-100 11614.98	BS37P6-100 10068.26	BS37S6-100 12773.34	1	0	295
12	BS27P6-120 11406.23	BS27S6-120 14611.87	BS37P6-120 12544.35	BS37S6-120 16142.92	1	0	295



**Filters & Strainers Product**  
**Basket Strainers**

**CPVC - Socket Ends**

Size	EPDM Seals CPVC Screen	EPDM Seals SS Screen	FKM Seals CPVC Screen	FKM Seals SS Screen	Std Pk	Mstr Pk	Prod Code
1/2	BS22C6-005C 703.03	BS22S6-005C 973.28	BS32C6-005C 738.56	BS32S6-005C 1008.82	1	2	297
3/4	BS22C6-007C 703.03	BS22S6-007C 973.28	BS32C6-007C 738.56	BS32S6-007C 1008.82	1	2	297
1	BS22C6-010C 703.03	BS22S6-010C 973.28	BS32C6-010C 738.56	BS32S6-010C 1008.82	1	2	297
1-1/4	BS22C6-012C 1326.72	BS22S6-012C 1687.06	BS32C6-012C 1491.24	BS32S6-012C 1895.35	1	0	297
1-1/2	BS22C6-015C 1326.72	BS22S6-015C 1687.06	BS32C6-015C 1491.24	BS32S6-015C 1895.35	1	0	297
2	BS22C6-020C 1326.72	BS22S6-020C 1687.06	BS32C6-020C 1491.24	BS32S6-020C 1895.35	1	0	297
2-1/2	BS22C6-025C 2173.48	BS22S6-025C 2794.86	BS32C6-025C 2441.96	BS32S6-025C 3140.58	1	0	297
3	BS22C6-030C 2818.02	BS22S6-030C 3441.59	BS32C6-030C 3166.39	BS32S6-030C 3866.80	1	0	297
4	BS22C6-040C 3744.44	BS22S6-040C 4453.39	BS32C6-040C 4208.02	BS32S6-040C 5003.84	1	0	297
6	BS22C6-060C 4948.82	BS22S6-060C 6191.16	BS32C6-060C 5560.54	BS32S6-060C 6956.18	1	0	297
8	BS22C6-080C 7064.64	BS22S6-080C 8750.96	BS32C6-080C 7937.88	BS32S6-080C 9832.56	1	0	297
10	BS22C6-100C 12401.14	BS22S6-100C 14808.29	BS32C6-100C 13933.95	BS32S6-100C 16639.03	1	0	297
12	BS22C6-120C 15747.81	BS22S6-120C 18955.74	BS32C6-120C 17694.12	BS32S6-120C 21299.58	1	0	297

**CPVC - Flanged Ends**

Size	EPDM Seals CPVC Screen	EPDM Seals SS Screen	FKM Seals CPVC Screen	FKM Seals SS Screen	Std Pk	Mstr Pk	Prod Code
1/2	BS23C6-005C 769.43	BS23S6-005C 1039.67	BS33C6-005C 809.78	BS33S6-005C 1080.04	1	0	297
3/4	BS23C6-007C 769.43	BS23S6-007C 1039.67	BS33C6-007C 809.78	BS33S6-007C 1080.04	1	0	297
1	BS23C6-010C 769.43	BS23S6-010C 1039.67	BS33C6-010C 809.78	BS33S6-010C 1080.04	1	0	297
1-1/4	BS23C6-012C 1496.23	BS23S6-012C 1854.05	BS33C6-012C 1680.96	BS33S6-012C 2083.25	1	0	297
1-1/2	BS23C6-015C 1496.23	BS23S6-015C 1854.05	BS33C6-015C 1680.96	BS33S6-015C 2083.25	1	0	297
2	BS23C6-020C 1496.23	BS23S6-020C 1854.05	BS33C6-020C 1680.96	BS33S6-020C 2083.25	1	0	297
2-1/2	BS23C6-025C 2839.80	BS23S6-025C 3462.25	BS33C6-025C 3189.98	BS33S6-025C 3890.38	1	4	297
3	BS23C6-030C 3376.52	BS23S6-030C 4222.62	BS33C6-030C 3793.86	BS33S6-030C 4494.23	1	0	297
4	BS23C6-040C 4421.28	BS23S6-040C 5505.05	BS33C6-040C 4967.94	BS33S6-040C 10259.08	1	0	297
6	BS23C6-060C 8490.80	BS23S6-060C 9731.99	BS33C6-060C 9540.69	BS33S6-060C 10934.77	1	0	297
8	BS23C6-080C 10984.19	BS23S6-080C 12670.77	BS33C6-080C 12342.35	BS33S6-080C 14237.00	1	0	297
10	BS23C6-100C 14914.96	BS23S6-100C 17321.47	BS33C6-100C 16757.99	BS33S6-100C 19463.08	1	0	297
12	BS23C6-120C 20404.80	BS23S6-120C 23611.61	BS33C6-120C 22926.93	BS33S6-120C 26533.35	1	0	297



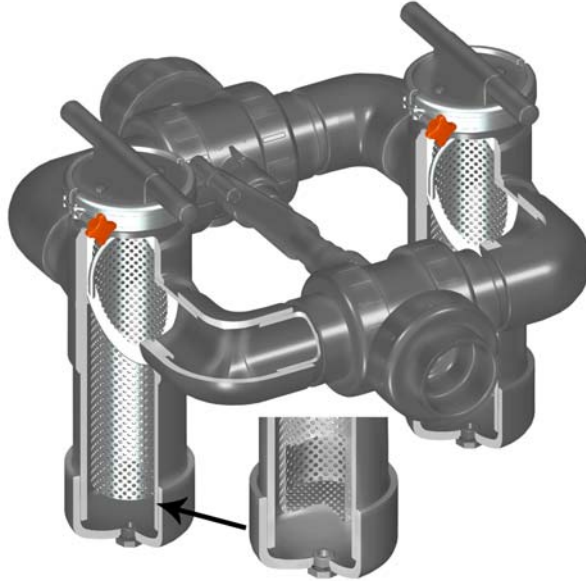
**Basket Strainers****CPVC - Spigot Ends**

Size	EPDM Seals CPVC Screen	EPDM Seals SS Screen	FKM Seals CPVC Screen	FKM Seals SS Screen	Std Pk	Mstr Pk	Prod Code
1/2	BS27C6-005C 703.03	BS27S6-005C 973.28	BS37C6-005C 738.56	BS37S6-005C 1008.82	1	0	297
3/4	BS27C6-007C 703.03	BS27S6-007C 973.28	BS37C6-007C 738.56	BS37S6-007C 1008.82	1	0	297
1	BS27C6-010C 703.03	BS27S6-010C 973.28	BS37C6-010C 738.56	BS37S6-010C 1008.82	1	0	297
1-1/4	BS27C6-012C 1326.72	BS27S6-012C 1687.06	BS37C6-012C 1491.24	BS37S6-012C 1895.35	1	0	297
1-1/2	BS27C6-015C 1326.72	BS27S6-015C 1687.06	BS37C6-015C 1491.24	BS37S6-015C 1895.35	1	0	297
2	BS27C6-020C 1326.72	BS27S6-020C 1687.06	BS37C6-020C 1491.24	BS37S6-020C 1895.35	1	0	297
2-1/2	BS27C6-025C 2173.48	BS27S6-025C 2794.86	BS37C6-025C 2441.96	BS37S6-025C 3140.58	1	0	297
3	BS27C6-030C 2818.02	BS27S6-030C 3441.59	BS37C6-030C 3166.39	BS37S6-030C 3866.80	1	0	297
4	BS27C6-040C 3744.44	BS27S6-040C 4453.39	BS37C6-040C 4208.02	BS37S6-040C 5003.84	1	0	297
6	BS27C6-060C 4948.82	BS27S6-060C 6191.16	BS37C6-060C 5560.54	BS37S6-060C 6956.18	1	0	297
8	BS27C6-080C 7064.64	BS27S6-080C 8750.96	BS37C6-080C 7937.88	BS37S6-080C 9832.56	1	0	297
10	BS27C6-100C 12401.14	BS27S6-100C 14808.29	BS37C6-100C 13933.95	BS37S6-100C 16639.03	1	0	297
12	BS27C6-120C 15747.81	BS27S6-120C 18955.74	BS37C6-120C 17693.91	BS37S6-120C 21299.58	1	0	297



## Filters & Strainers Product Duplex Basket Strainers

Custom configured and produced to order, Spears® Duplex Basket Strainer provides individual isolation of strainers for servicing and cleaning without shutting down the line. A center handle on the Duplex unit control valves allows selection of either strainer unit for isolation. Each Basket Strainer features a convenient quick release clamp cap equipped with safety pressure gauge and pressure release ball valve for safer system operation and strainer cleaning. Additional drain plug allows complete drain and flush of unit.



### Multi-Featured Options:

- No Flow Shutdown Required
- Sizes 1/2" - 4" Constructed from Corrosion Resistant PVC or CPVC
- True Union Socket, Thread, or Flanged Connections
- Uses Spears® Standard Basket Strainers Configurations
- Simple Single-Throw Lever Operation
- Select EPDM or FKM Seal Options
- Multiple Strainer Mesh Options in Plastic or Stainless Steel (see Industrial Basket Strainer options in this catalog)

### Pressure Rating @ 73°F (23°C), Water

1/2" - 4" 150 psi

### Maximum Service Temperature

PVC = 140°F (60°C)

CPVC = 200°F (93°C)

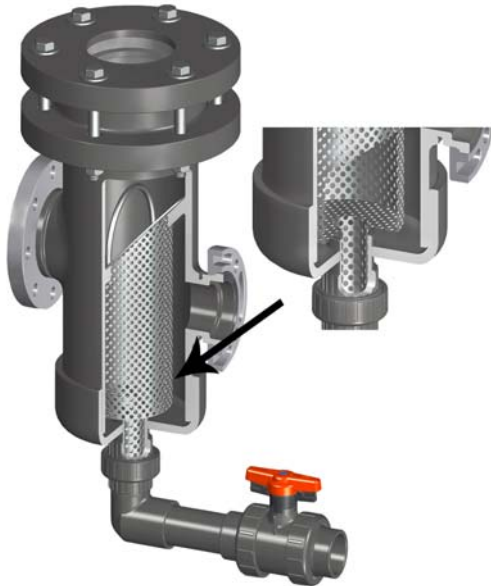
Temperature/Pressure De-ratings Apply

**CONTACT SPEARS® FOR ADDITIONAL CUSTOM OPTIONS, SELECTION ASSISTANCE & MSRP**

Filters & Strainers Product  
**Suction Strainers**



**Suction Strainers**



Pressure Rating @ 73°F (23°C),  
 Water 50 psi

Maximum Service Temperature  
 PVC = 140°F (60°C)

Temperature/Pressure De-ratings Apply

Suction Strainer is a special Basket Strainer design that reduces pressure drop, a critical element in suction line applications. While same-size (inlet/outlet) units are available, enlarged inlet on reducing sizes performs best in suction line applications. The internal Strainer Basket is bottom-drained for direct flushing through a 360° adjustable side mounted Discharge Valve Assembly (included). Bolt-on Bonnet is fitted with Top Sight-Glass.

Standard units listed have EPDM Seals and Stainless Steel 3/16" Perforated Screen (4-mesh). Contact Spears® for other Mesh Code or Elastomer seal options required.

**Suction Strainer PVC**

Part Number	Size	Std Pk	Mstr Ctn	Prod Code	MSRP
<b>Flanged End</b>					
SS23BS4SG-040	4	1	0	295	3302.28
SS23BS4SG-420	4X2	1	0	295	3145.65
SS23BS4SG-421	4X2-1/2	1	0	295	3157.95
SS23BS4SG-422	4X3	1	0	295	3165.99
SS23BS4SG-060	6	1	0	295	4307.52
SS23BS4SG-532	6X4	1	0	295	4161.43
SS23BS4SG-080	8	1	0	295	4731.22

**Suction Strainer PVC (continued)**

Part Number	Size	Std Pk	Mstr Ctn	Prod Code	MSRP
<b>Flanged End</b>					
SS23BS4SG-582	8X4	1	0	295	4302.14
SS23BS4SG-585	8X6	1	0	295	4327.11
SS23BS4SG-100	10	1	0	295	5292.59
SS23BS4SG-626	10X6	1	0	295	5150.85
SS23BS4SG-628	10X8	1	0	295	5209.52
SS23BS4SG-120	12	1	0	295	5819.27
SS23BS4SG-668	12X8	1	0	295	5678.59
SS23BS4SG-670	12X10	1	0	295	5726.40

**Suction Strainer Stainless Steel Baskets 3/16" Perforation**

Part Number	Size	Std Pk	Mstr Ctn	Prod Code	MSRP
SSS4-040	4	1	4	299	915.78
SSS4-060	6	1	2	299	974.24
SSS4-080	8	1	2	299	1220.86
SSS4-100	10	1	0	299	1327.03
SSS4-120	12	1	2	299	2784.12