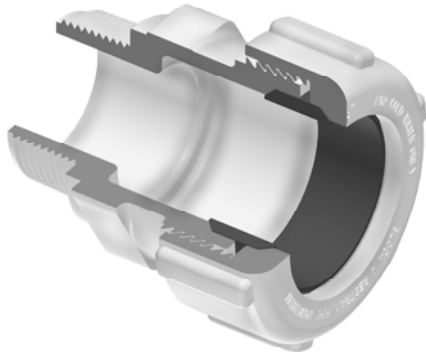




Schedule 40 Fittings Product  
**Compression Male Adapters & Repair Couplings**

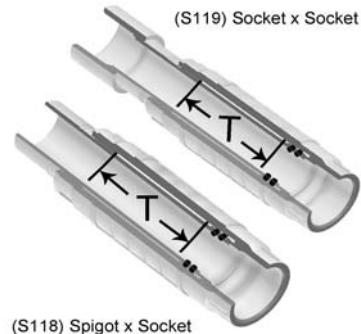
**Compression Male Adapters**



- Quickly Adapts Pipe to MIPT Thread
- Easy-Thread Compression Nut
- 200 psi Pressure Rating
- NSF® Certified for Potable Water Use

Uses same Nut Wrench sets available for Compression Couplings

**Repair Couplings**



- Multi-function Telescoping Design
- Regular and Short configurations
- Socket x Socket Configuration for Pipe Repair or Use as a Short-Stroke Expansion Joint
- Spigot x Socket Configuration for Replacing Damaged Fittings
- Both Configurations can be Easily Modified for Opposite Use
- Double O-ring Seal in EPDM
- 1/2" - 2" Pressure Rated to 235 PSI @ 73°F (23°C)
- 2-1/2" - 4" Pressure Rated to 200 PSI @ 73°F (23°C)
- 6" Pressure Rated to 150 PSI @ 73°F (23°C)
- NSF® Certified for Potable Water Use

**Compression Male Adapters, PVC**

Part Number	Size	Std Pk	Mstr Ctn	Prod Code	MSRP
<b>Elastomer Gasket</b>					
Uses Regular Compression Coupling Nut Wrenches					
S130-05	1/2	25	150	024	3.48
S130-07	3/4	25	200	024	4.20
S130-10	1	25	0	024	5.33
S130-12	1-1/4	25	0	024	8.19
S130-15	1-1/2	25	0	024	8.40
S130-20	2	25	0	024	10.47

**Versatile Repair Capability**

Spears® Repair Couplings provide a variety of system repair and alteration solutions. Use Socket x Socket configurations for quick pipe damage repair - can also be used as a short-stroke expansion joint to compensate for thermal expansion & contraction. Spigot x Socket configurations are excellent for lateral and riser add-ons, damaged fitting replacement, or for installing valves in existing piping systems. Order the wrong configuration? Simply cut coupling from Socket shaft end to function as a spigot or add a coupling to Spigot shaft end for Socket connections.

Part Number	Size	Travel - T	Std Pk	Mstr Ctn	Prod Code	MSRP
-------------	------	------------	--------	----------	-----------	------

**Repair Coupling - Spigot x Socket**

**PVC White with EPDM O-ring**



Can be used as short-stroke Expansion Joint

S118-05	1/2	3	25	0	025	6.16
S118-07	3/4	4	30	0	025	7.00
S118-10	1	4	15	0	025	8.07
S118-12	1-1/4	4	25	0	025	15.22
S118-15	1-1/2	4	25	0	025	16.58
S118-20	2	4	12	0	025	25.64
S118-25	2-1/2	6	5	0	025	37.20
S118-30	3	6	4	0	025	46.47
S118-40	4	6	2	0	025	81.33



**Repair Couplings**

Part Number	Size	Travel - T	Std Pk	Mstr Ctn	Prod Code	MSRP
<b>Repair Coupling - Spigot x Socket (continued)</b>						
<b>PVC White with EPDM O-ring</b>						
S118-60	6	6	1	0	025	199.00
Unit Must Be Thrust Blocked T = Repair Coupling Travel						

**Repair Coupling - Socket x Socket**

PVC White with EPDM O-ring

Can be used as short-stroke Expansion Joint

S119-05	1/2	3	30	0	025	6.16
S119-07	3/4	4	24	0	025	7.00
S119-10	1	4	20	0	025	8.07
S119-12	1-1/4	4	10	0	025	15.22
S119-15	1-1/2	4	16	0	025	16.58
S119-20	2	4	10	0	025	25.64
S119-25	2-1/2	6	5	0	025	37.20
S119-30	3	6	4	0	025	46.47
S119-40	4	6	2	0	025	81.33
S119-60	6	6	1	0	025	199.00

Unit Must Be Thrust Blocked  
T = Repair Coupling Travel

**Short Repair Couplings**

**Repair Coupling - Short, Spigot x Socket**

PVC White with EPDM O-ring

SH118-05	1/2	2	36	0	025	6.16
SH118-07	3/4	2-1/4	30	0	025	7.00
SH118-10	1	2	35	0	025	8.07
SH118-12	1-1/4	2-1/2	25	0	025	15.22
SH118-15	1-1/2	2-3/4	32	0	025	16.58
SH118-20	2	3-1/4	15	0	025	25.64

Unit Must Be Thrust Blocked  
T = Repair Coupling Travel

**Repair Coupling - Short, Socket x Socket**

PVC White with EPDM O-ring

SH119-05	1/2	2	40	0	025	6.16
SH119-07	3/4	2	30	0	025	7.00
SH119-10	1	2	30	0	025	8.07
SH119-12	1-1/4	2-1/2	20	0	025	15.22
SH119-15	1-1/2	2-3/4	21	0	025	16.58

Part Number	Size	Travel - T	Std Pk	Mstr Ctn	Prod Code	MSRP
-------------	------	------------	--------	----------	-----------	------

**Repair Coupling - Short, Socket x Socket (continued)**

PVC White with EPDM O-ring

SH119-20	2	3-1/4	12	0	025	25.64
----------	---	-------	----	---	-----	-------

Unit Must Be Thrust Blocked  
T = Repair Coupling Travel

**GripLoc™ Compression Couplings**

Tightening nut compresses special stainless steel Gripper Ring to firmly grip pipe and prevent potential pull-out. Compressed Gland Ring ensures positive O-ring seal against pipe.



Part Number	Size	Std Pk	Mstr Ctn	Prod Code	MSRP
-------------	------	--------	----------	-----------	------

**GripLoc™ Compression Couplings**

**WARNING: DO NOT INSERT FINGERS**  
For Cold Water Only - EPDM Gasket  
1/2" - 2" Pressure Rated to 235 psi  
3" - 4" Pressure Rated to 150 psi

Hand Tighten ONLY - No Nut Wrenches Required

S112-05	1/2	28	0	131	20.36
S112-07	3/4	24	0	131	22.49
S112-10	1	20	0	131	28.23
S112-12	1-1/4	1	10	131	34.43
S112-15	1-1/2	1	16	131	41.69
S112-20	2	1	12	131	49.14
S112-30	3	1	4	131	84.36
S112-40	4	1	4	131	95.38

**GripLoc™ Compression Adapters**

**GripLoc™ Compression Male Adapter**

**WARNING: DO NOT INSERT FINGERS**  
For Cold Water Only - Mipt x EPDM  
GripLoc™ Gasket

Hand Tighten ONLY - No Nut Wrenches Required

S135-05	1/2	1	25	131	12.20
S135-07	3/4	1	25	131	14.32