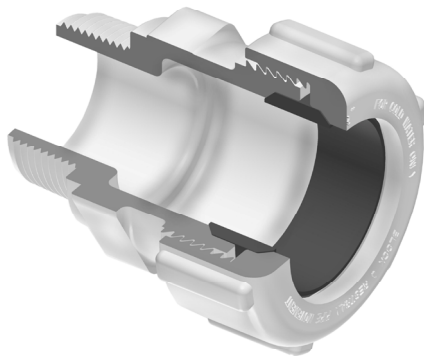




Schedule 40 Fittings Product
Compression Male Adapters & Repair Couplings

Compression Male Adapters



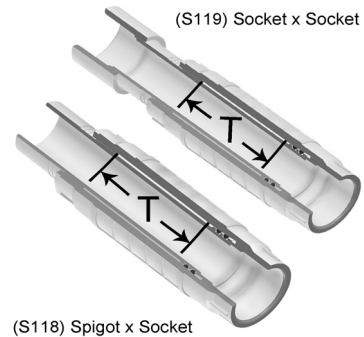
- Quickly Adapts Pipe to MIPT Thread
- Easy-Thread Compression Nut
- 200 psi Pressure Rating
- NSF® Certified for Potable Water Use

Uses same Nut Wrench sets available for Compression Couplings

Compression Male Adapters, PVC

| Part Number | Size | Std Pk | Mstr Ctn | Prod Code | MSRP |
|------------------------------------------------|-------|--------|----------|-----------|------|
| Elastomer Gasket | | | | | |
| Uses Regular Compression Coupling Nut Wrenches | | | | | |
| S130-05 | 1/2 | 25 | 150 | 024 | 3.31 |
| S130-07 | 3/4 | 25 | 200 | 024 | 3.99 |
| S130-10 | 1 | 25 | 0 | 024 | 5.06 |
| S130-12 | 1-1/4 | 25 | 0 | 024 | 7.78 |
| S130-15 | 1-1/2 | 25 | 0 | 024 | 7.98 |
| S130-20 | 2 | 25 | 0 | 024 | 9.95 |

Repair Couplings



- Multi-function Telescoping Design
- Regular and Short configurations
- Socket x Socket Configuration for Pipe Repair or Use as a Short-Stroke Expansion Joint
- Spigot x Socket Configuration for Replacing Damaged Fittings
- Both Configurations can be Easily Modified for Opposite Use
- Double O-ring Seal in EPDM
- 1/2" - 2" Pressure Rated to 235 PSI @ 73°F (23°C)
- 2-1/2" - 4" Pressure Rated to 200 PSI @ 73°F (23°C)
- 6" Pressure Rated to 150 PSI @ 73°F (23°C)
- NSF® Certified for Potable Water Use

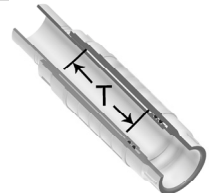
Versatile Repair Capability

Spears® Repair Couplings provide a variety of system repair and alteration solutions. Use Socket x Socket configurations for quick pipe damage repair - can also be used as a short-stroke expansion joint to compensate for thermal expansion & contraction. Spigot x Socket configurations are excellent for lateral and riser add-ons, damaged fitting replacement, or for installing valves in existing piping systems. Order the wrong configuration? Simply cut coupling from Socket shaft end to function as a spigot or add a coupling to Spigot shaft end for Socket connections.

| Part Number | Size | Travel - T | Std Pk | Mstr Ctn | Prod Code | MSRP |
|-------------|------|------------|--------|----------|-----------|------|
|-------------|------|------------|--------|----------|-----------|------|

Repair Coupling - Spigot x Socket

PVC White with EPDM O-ring



Can be used as short-stroke Expansion Joint

| | | | | | | |
|---------|-------|---|----|---|-----|-------|
| S118-05 | 1/2 | 3 | 25 | 0 | 025 | 5.85 |
| S118-07 | 3/4 | 4 | 30 | 0 | 025 | 6.65 |
| S118-10 | 1 | 4 | 15 | 0 | 025 | 7.67 |
| S118-12 | 1-1/4 | 4 | 25 | 0 | 025 | 14.46 |
| S118-15 | 1-1/2 | 4 | 25 | 0 | 025 | 15.75 |
| S118-20 | 2 | 4 | 12 | 0 | 025 | 24.36 |
| S118-25 | 2-1/2 | 6 | 5 | 0 | 025 | 35.34 |
| S118-30 | 3 | 6 | 4 | 0 | 025 | 44.15 |
| S118-40 | 4 | 6 | 2 | 0 | 025 | 77.26 |