



Compression & Repair Fittings



PRODUCT

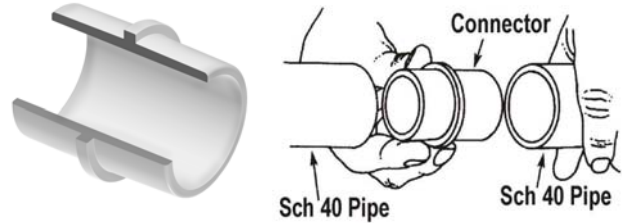
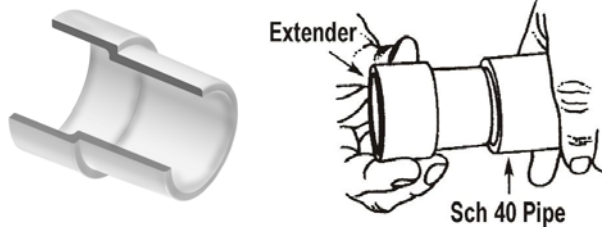
Contact Spears® for any Information not found.



Schedule 40 Repair Fittings & Fabricated Repair Couplings

Schedule 40 Repair Fittings

Schedule 40 Pipe Repair Fittings
Allows Difficult Broken Pipe Repair To Be Made Easily



Pipe Inside Connectors, Schedule 40

Part Number	Size	Std Pk	Mstr Ctn	Prod Code	MSRP
Pipe I.D. Spigot x Pipe I.D. Spigot					
S0302-10	1	50	300	894	3.97
S0302-15	1-1/2	50	0	894	5.41
S0302-20	2	20	0	894	5.99
S0302-30	3	25	0	894	18.81
S0302-40	4	5	0	894	22.34

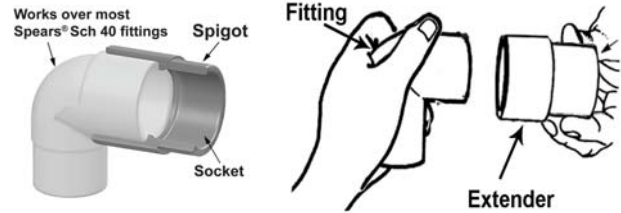
Pipe Extenders, Schedule 40

Part Number	Size	Std Pk	Mstr Ctn	Prod Code	MSRP
-------------	------	--------	----------	-----------	------

Pipe O.D. Spigot x Pipe I.D. Spigot

* Fabricated, Non-Pressure Rated

S0301-05	1/2	100	600	894	1.91
S0301-07	3/4	50	300	894	3.13
S0301-10	1	50	200	894	3.97
S0301-12	1-1/4	50	0	894	4.75
S0301-15	1-1/2	50	0	894	5.41
S0301-20	2	25	0	894	5.99
S0301-25	2-1/2	25	0	894	7.14
S0301-30	3	25	0	894	16.68
S0301-40	4	20	0	894	19.66
S0301-60F	6	1	10	392	77.15
S0301-80F	8	1	2	392	154.99
S0301-100F	10	1	0	392	240.52
S0301-120F	12	1	0	392	348.78



Fitting Extenders, Schedule 40

Part Number	Size	Std Pk	Mstr Ctn	Prod Code	MSRP
-------------	------	--------	----------	-----------	------

Spigot (Socket) x Socket O.D.

Spigot End also functions as next size down Socket

S0303-15	1-1/2	25	0	894	7.53
S0303-20	2	25	0	894	9.32

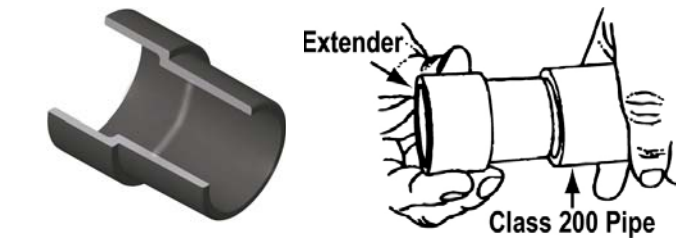
Fabricated Repair Couplings

Part Number	Size	Gasket to Gasket - L1	Std Pk	Mstr Ctn	Prod Code	MSRP
-------------	------	-----------------------	--------	----------	-----------	------

Repair Coupling, Schedule 40 Fabricated

Gasket x Gasket

428-020F	2	6	1	10	047	72.67
428-030F	3	11- 3/4	1	12	047	94.16
428-040F	4	15	1	4	047	109.03
428-060F	6	18-1/4	1	3	047	147.80
428-080F	8	21-1/2	1	2	047	202.69
428-100F	10	22-1/8	1	0	047	303.64
428-120F	12	22-5/8	1	0	047	395.36
428-140F	14	21-1/2	1	0	047	773.71
428-160F	16	24	1	0	047	1082.69
428-180F	18	22-5/8	1	0	047	1666.44
428-200F	20	23-1/2	1	0	047	1988.97
428-240F	24	23-1/2	1	0	047	2776.71



Pipe Extenders, Class 200

Part Number	Size	Std Pk	Mstr Ctn	Prod Code	MSRP
-------------	------	--------	----------	-----------	------

Pipe O.D. Spigot x Pipe I.D. Spigot

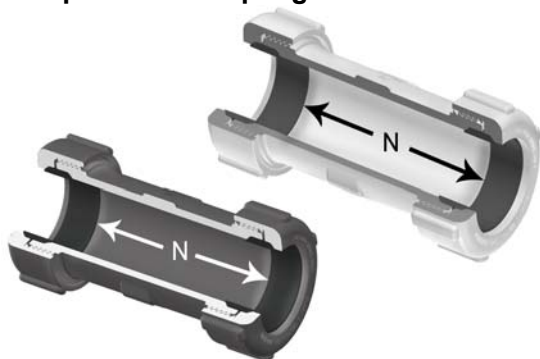
Fits Class 200 Pipe I.D.

S0304-10	1	25	150	894	4.39
S0304-12	1-1/4	10	120	894	4.81
S0304-15	1-1/2	10	120	894	5.23
S0304-20	2	25	0	894	5.85

Schedule 40 Fittings Product
Compression Couplings & Nut Wrenches



Compression Couplings & Nut Wrenches



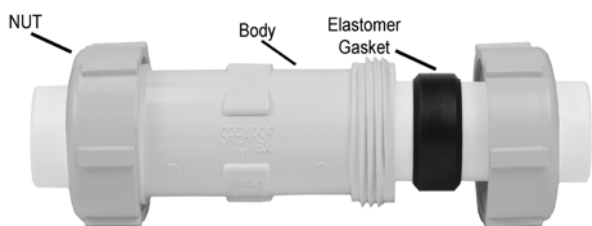
- Designed for Quick Connections, System Modifications or Repairs
- Completely Redesigned for Improved Versatility
- PVC White plus New Industrial PVC Gray
- Easy-Thread Compression Nut
- New Spigot Conversion Capability
- Full Service Pressure Rating
 1/2" - 2-1/2" = 200psi, 3" - 6" = 150psi
- NSF® Certified for Potable Water Use

Option: Convert Fittings to Compression Outlet

Socket-type fittings 3/4" through 3" can be easily converted to compression outlet sizes 1/2" through 2-1/2" by simply cutting the Compression Coupling at the center holding ribs and solvent welding the spigot body into a fitting socket.



Compression Coupling Size (in.)	Body Spigot Size (in.)
1/2	3/4
3/4	1
1	1-1/4
1-1/4	1-1/2
1-1/2	2
2	2-1/2
2-1/2	3



Compression Coupling, PVC White

Part Number	Size	Gasket to Gasket - N	Std Pk	Mstr Ctn	Prod Code	MSRP
Elastomer Gasket						
S110-05	1/2	3-3/8	28	0	024	4.49
S110-07	3/4	3-9/16	24	0	024	6.08
S110-10	1	3-3/4	20	0	024	7.91
S110-12	1-1/4	4-1/8	10	0	024	12.12
S110-15	1-1/2	4-5/8	16	0	024	12.49
S110-20	2	5-1/16	12	0	024	16.25
S110-25	2-1/2	5-7/8	6	0	024	30.57
S110-30	3	6-3/16	4	0	024	40.03
S110-40	4	7-3/8	4	0	024	65.83
S110-60	6	7-9/16	1	0	024	149.72

N = Gasket to Gasket

Compression Coupling, PVC Gray

Part Number	Size	Gasket to Gasket - N	Std Pk	Mstr Ctn	Prod Code	MSRP
Elastomer Gasket						
S110-05G	1/2	3-3/8	28	0	024	4.81
S110-07G	3/4	3-9/16	24	0	024	7.19
S110-10G	1	3-3/4	20	0	024	9.28
S110-12G	1-1/4	4-1/8	10	0	024	14.32
S110-15G	1-1/2	4-5/8	16	0	024	14.78
S110-20G	2	5-1/16	12	0	024	19.18
S110-25G	2-1/2	5-7/8	6	0	024	36.12
S110-30G	3	6-3/16	4	0	024	47.21
S110-40G	4	7-3/8	4	0	024	77.68
S110-60G	6	7-9/16	1	0	024	176.65

N = Gasket to Gasket

Compression Coupling Nut Wrench Set

Part Number	Size	Std Pk	Mstr Ctn	Prod Code	MSRP
CCW-000	Set	1	25	299	116.26
Complete Set of Wrenches, Sizes 1/2 - 3					

Compression Coupling Nut Wrenches

Fits all Spears® Compression Fittings



CCW-005	1/2	1	50	299	13.92
CCW-007	3/4	1	50	299	14.16
CCW-010	1	1	50	299	14.76
CCW-012	1-1/4	1	50	299	16.69
CCW-015	1-1/2	1	50	299	18.01
CCW-020 ¹	2	1	50	299	20.13
CCW-030 ²	3	1	25	299	24.76
CCW-060	6	8	0	299	37.23

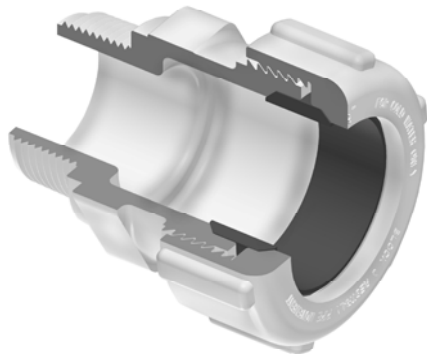
¹ CCW-20 - Wrench also fits 2-1/2" Coupling Body

² CCW-30 - Wrench also fits 4" Coupling Body



Schedule 40 Fittings Product
Compression Male Adapters & Repair Couplings

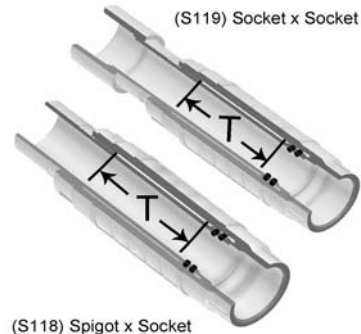
Compression Male Adapters



- Quickly Adapts Pipe to MIPT Thread
- Easy-Thread Compression Nut
- 200 psi Pressure Rating
- NSF® Certified for Potable Water Use

Uses same Nut Wrench sets available for Compression Couplings

Repair Couplings



- Multi-function Telescoping Design
- Regular and Short configurations
- Socket x Socket Configuration for Pipe Repair or Use as a Short-Stroke Expansion Joint
- Spigot x Socket Configuration for Replacing Damaged Fittings
- Both Configurations can be Easily Modified for Opposite Use
- Double O-ring Seal in EPDM
- 1/2" - 2" Pressure Rated to 235 PSI @ 73°F (23°C)
- 2-1/2" - 4" Pressure Rated to 200 PSI @ 73°F (23°C)
- 6" Pressure Rated to 150 PSI @ 73°F (23°C)
- NSF® Certified for Potable Water Use

Compression Male Adapters, PVC

Part Number	Size	Std Pk	Mstr Ctn	Prod Code	MSRP
Elastomer Gasket					
Uses Regular Compression Coupling Nut Wrenches					
S130-05	1/2	25	150	024	3.66
S130-07	3/4	25	200	024	4.42
S130-10	1	25	0	024	5.61
S130-12	1-1/4	25	0	024	8.62
S130-15	1-1/2	25	0	024	8.84
S130-20	2	25	0	024	11.02

Versatile Repair Capability

Spears® Repair Couplings provide a variety of system repair and alteration solutions. Use Socket x Socket configurations for quick pipe damage repair - can also be used as a short-stroke expansion joint to compensate for thermal expansion & contraction. Spigot x Socket configurations are excellent for lateral and riser add-ons, damaged fitting replacement, or for installing valves in existing piping systems. Order the wrong configuration? Simply cut coupling from Socket shaft end to function as a spigot or add a coupling to Spigot shaft end for Socket connections.

Part Number	Size	Travel - T	Std Pk	Mstr Ctn	Prod Code	MSRP
-------------	------	------------	--------	----------	-----------	------

Repair Coupling - Spigot x Socket

PVC White with EPDM O-ring



Can be used as short-stroke Expansion Joint

S118-05	1/2	3	25	0	025	6.48
S118-07	3/4	4	30	0	025	7.37
S118-10	1	4	15	0	025	8.49
S118-12	1-1/4	4	25	0	025	16.02
S118-15	1-1/2	4	25	0	025	17.45
S118-20	2	4	12	0	025	26.99
S118-25	2-1/2	6	5	0	025	39.16
S118-30	3	6	4	0	025	48.92
S118-40	4	6	2	0	025	85.61



Repair Couplings

Part Number	Size	Travel - T	Std Pk	Mstr Ctn	Prod Code	MSRP
Repair Coupling - Spigot x Socket (continued) PVC White with EPDM O-ring						
S118-60	6	6	1	0	025	209.47
Unit Must Be Thrust Blocked T = Repair Coupling Travel						

Repair Coupling - Socket x Socket

PVC White with EPDM O-ring

Can be used as short-stroke Expansion Joint

S119-05	1/2	3	30	0	025	6.48
S119-07	3/4	4	24	0	025	7.37
S119-10	1	4	20	0	025	8.49
S119-12	1-1/4	4	10	0	025	16.02
S119-15	1-1/2	4	16	0	025	17.45
S119-20	2	4	10	0	025	26.99
S119-25	2-1/2	6	5	0	025	39.16
S119-30	3	6	4	0	025	48.92
S119-40	4	6	2	0	025	85.61
S119-60	6	6	1	0	025	209.47

Unit Must Be Thrust Blocked
T = Repair Coupling Travel

Short Repair Couplings

Repair Coupling - Short, Spigot x Socket

PVC White with EPDM O-ring

SH118-05	1/2	2	36	0	025	6.48
SH118-07	3/4	2-1/4	30	0	025	7.37
SH118-10	1	2	35	0	025	8.49
SH118-12	1-1/4	2-1/2	25	0	025	16.02
SH118-15	1-1/2	2-3/4	32	0	025	17.45
SH118-20	2	3-1/4	15	0	025	26.99

Unit Must Be Thrust Blocked
T = Repair Coupling Travel

Repair Coupling - Short, Socket x Socket

PVC White with EPDM O-ring

SH119-05	1/2	2	40	0	025	6.48
SH119-07	3/4	2	30	0	025	7.37
SH119-10	1	2	30	0	025	8.49
SH119-12	1-1/4	2-1/2	20	0	025	16.02
SH119-15	1-1/2	2-3/4	21	0	025	17.45

Part Number	Size	Travel - T	Std Pk	Mstr Ctn	Prod Code	MSRP
-------------	------	------------	--------	----------	-----------	------

Repair Coupling - Short, Socket x Socket (continued)

PVC White with EPDM O-ring

SH119-20	2	3-1/4	12	0	025	26.99
----------	---	-------	----	---	-----	-------

Unit Must Be Thrust Blocked
T = Repair Coupling Travel

GripLoc™ Compression Couplings

Tightening nut compresses special stainless steel Gripper Ring to firmly grip pipe and prevent potential pull-out. Compressed Gland Ring ensures positive O-ring seal against pipe.



Part Number	Size	Std Pk	Mstr Ctn	Prod Code	MSRP
-------------	------	--------	----------	-----------	------

GripLoc™ Compression Couplings

WARNING: DO NOT INSERT FINGERS
For Cold Water Only - EPDM Gasket
1/2" - 2" Pressure Rated to 235 psi
3" - 4" Pressure Rated to 150 psi

Hand Tighten ONLY - No Nut Wrenches Required

S112-05	1/2	28	0	131	21.43
S112-07	3/4	1	24	131	23.67
S112-10	1	1	20	131	29.72
S112-12	1-1/4	1	10	131	36.24
S112-15	1-1/2	1	16	131	43.88
S112-20	2	1	12	131	51.73
S112-30	3	1	4	131	88.80
S112-40	4	1	4	131	100.40

GripLoc™ Compression Adapters

GripLoc™ Compression Male Adapter

WARNING: DO NOT INSERT FINGERS
For Cold Water Only - Mipt x EPDM
GripLoc™ Gasket

Hand Tighten ONLY - No Nut Wrenches Required

S135-05	1/2	1	25	131	12.84
S135-07	3/4	1	25	131	15.07

**GripLoc™ Compression Adapters & GripLoc™ Coupling & GripLoc™ Cap****GripLoc™ Compression Adapters**

Part Number	Size	Std Pk	Mstr Ctn	Prod Code	MSRP
GripLoc™ Compression Male Adapter (continued)					
WARNING: DO NOT INSERT FINGERS					
For Cold Water Only - Mipt x EPDM GripLoc™ Gasket					
S135-10	1	1	25	131	17.22
S135-12	1-1/4	1	20	131	19.86
S135-15	1-1/2	1	25	131	22.62
S135-20	2	1	25	131	27.82

GripLoc™ Compression Female Adapter

WARNING: DO NOT INSERT FINGERS
For Cold Water Only - Fipt x EPDM
GripLoc™ Gasket



Hand Tighten ONLY - No Nut Wrenches Required

S136-05	1/2	1	28	131	20.75
S136-07	3/4	1	24	131	23.15
S136-10	1	1	20	131	26.99
S136-12	1-1/4	1	20	131	37.11
S136-15	1-1/2	1	16	131	46.99
S136-20	2	1	10	131	57.74

GripLoc™ Coupling**GripLoc™ Coupling**

WARNING: DO NOT INSERT FINGERS
For Cold Water Only - EPDM Gasket
Pressure Rated to 235 psi @ 73°F



Uses No Solvent Cement

GL429-005	1/2	1	40	131	15.00
GL429-007	3/4	1	36	131	19.62
GL429-010	1	1	20	131	20.20
GL429-012	1-1/4	1	15	131	24.01
GL429-015	1-1/2	1	15	131	24.01
GL429-020	2	1	10	131	24.93

GripLoc™ IPS Size Release Tool

For Removal of GripLoc™ Fittings



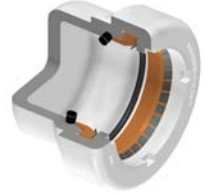
GLIPSRT-005	1/2	1	50	299	5.54
GLIPSRT-007	3/4	1	50	299	5.54
GLIPSRT-010	1	1	50	299	5.54

GripLoc™ Cap

Part Number	Size	Std Pk	Mstr Ctn	Prod Code	MSRP
-------------	------	--------	----------	-----------	------

GripLoc™ Cap

WARNING: DO NOT INSERT FINGERS
For Cold Water Only - EPDM Gasket
Pressure Rated to 235 psi @ 73°F



Uses No Solvent Cement

GL447-005	1/2	1	50	131	13.78
GL447-007	3/4	10	50	131	17.87
GL447-010	1	1	50	131	18.76
GL447-012	1-1/4	1	25	131	24.66
GL447-015	1-1/2	1	25	131	28.06
GL447-020	2	1	25	131	31.46