



## GripLoc™ Coupling

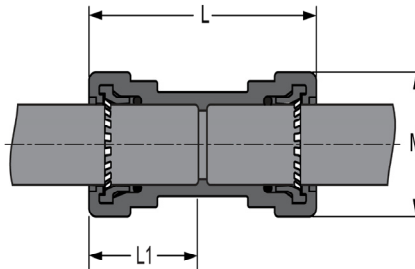


### GripLoc™ Coupling

Specially designed stainless steel Gripper Ring to firmly grip pipe and prevent potential pull-out. Compressed Gland Ring ensures positive O-ring seal against pipe.

### GripLoc™ Coupling

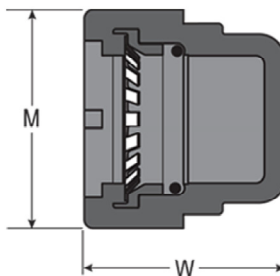
**WARNING: DO NOT INSERT FINGERS**  
 For Cold Water Only - EPDM Gasket  
 Uses No Solvent Cement  
 Pressure Rated to 235 psi @ 73°F



Part Number	Size	L	L1	M	Approx. Wt. (Lbs.)
GL429-005G	1/2	3-27/32	1-27/32	1-5/8	.19
GL429-007G	3/4	4	1-15/16	1-29/32	.26
GL429-010G	1	4-5/32	2	2-1/4	.36
GL429-012G	1-1/4	4-9/32	2-1/16	2-23/32	.52
GL429-015G	1-1/2	4-11/32	2-3/32	3	.57
GL429-020G	2	4-15/32	2-5/32	3-1/2	.83

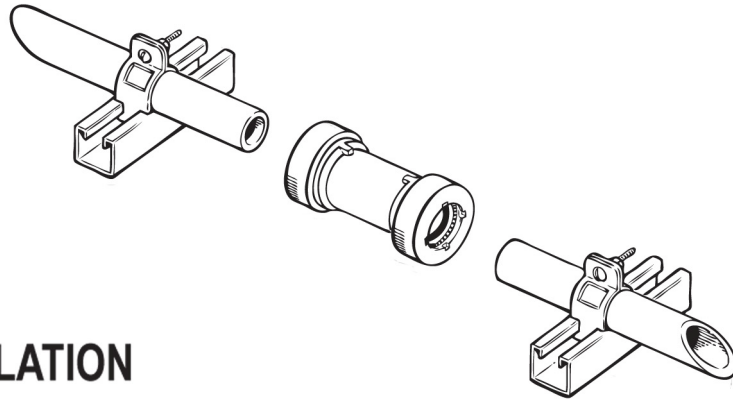
### GripLoc™ Cap

**WARNING: DO NOT INSERT FINGERS**  
 For Cold Water Only - EPDM Gasket  
 Uses No Solvent Cement  
 Pressure Rated to 235 psi @ 73°F



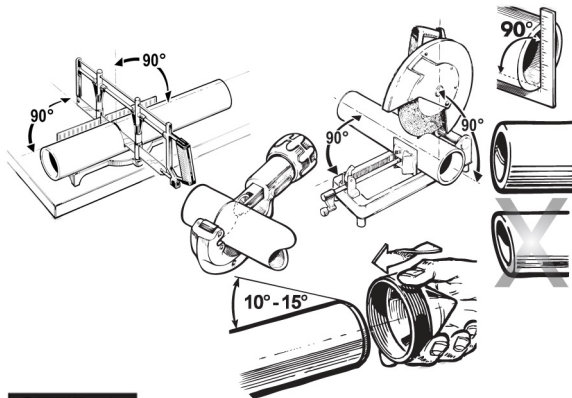
Part Number	Size	M	W	Approx. Wt. (Lbs.)
GL447-005G	1/2	1-5/8	1-21/32	.08
GL447-007G	3/4	1-29/32	1-11/16	.11
GL447-010G	1	2-5/16	2	.17
GL447-012G	1-1/4	2-3/4	2-3/16	.27
GL447-015G	1-1/2	3	2-5/16	.33
GL447-020G	2	3-9/16	2-7/16	.48

# GripLoc™ Coupling Installation

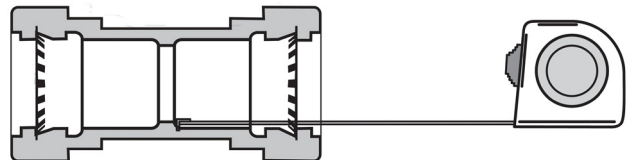


## EASY INSTALLATION

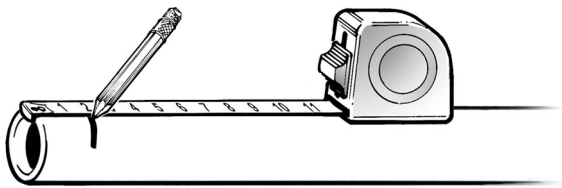
**STEP 1** Cut pipe square. Deburr and bevel.



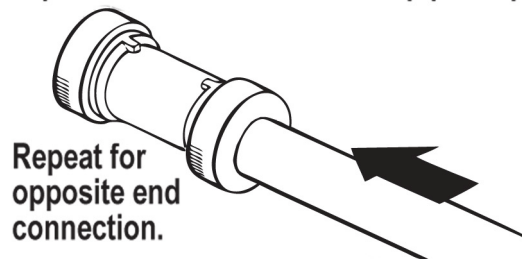
**STEP 2** Measure from pipe stop to the end of the coupling.



**STEP 3** Measure and mark pipe.



**STEP 4** Insert pipe all the way to mark. Pipe should bottom out at the pipe stop.



**WARNING: DO NOT INSERT FINGERS. ENSURE THAT PIPE AND FITTINGS ARE FREE OF DIRT AND DEBRIS PRIOR TO INSTALLATION.**