

Low Extractable Product
Low-Extractable Piping For Ultra-Pure Water Systems



| Part Number | Size | Std Pk | Mstr Ctn | Prod Code | MSRP |
|-------------|------|--------|----------|-----------|------|
|-------------|------|--------|----------|-----------|------|

Pipe - Low Extractable PVC Schedule 80 Plain End

15' Lengths, Price Per Foot



| | | | | | |
|---------|-------|-----|---|-----|--------|
| LXT-002 | 1/4 | 855 | 0 | 064 | 6.70 |
| LXT-003 | 3/8 | 750 | 0 | 064 | 4.15 |
| LXT-005 | 1/2 | 630 | 0 | 064 | 5.06 |
| LXT-007 | 3/4 | 450 | 0 | 064 | 6.86 |
| LXT-010 | 1 | 450 | 0 | 064 | 10.11 |
| LXT-012 | 1-1/4 | 450 | 0 | 064 | 13.98 |
| LXT-015 | 1-1/2 | 240 | 0 | 064 | 16.92 |
| LXT-020 | 2 | 240 | 0 | 064 | 23.46 |
| LXT-030 | 3 | 60 | 0 | 064 | 47.86 |
| LXT-040 | 4 | 60 | 0 | 064 | 69.97 |
| LXT-060 | 6 | 15 | 0 | 064 | 162.22 |

See Spears® Low-Extractable Schedule 80 Pipe Chart for additional information.

True Union 2000 Industrial Ball Valves w/Handle Lockout & Safe-T-Block™ Design

EPDM O-ring



| | | | | | |
|------------|-------|---|----|-----|---------|
| 1829-005BL | 1/2 | 1 | 18 | 066 | 98.47 |
| 1829-007BL | 3/4 | 1 | 12 | 066 | 120.67 |
| 1829-010BL | 1 | 1 | 12 | 066 | 153.09 |
| 1829-012BL | 1-1/4 | 1 | 8 | 066 | 202.94 |
| 1829-015BL | 1-1/2 | 1 | 8 | 066 | 265.39 |
| 1829-020BL | 2 | 1 | 4 | 066 | 374.67 |
| 1822-030BL | 3 | 1 | 0 | 066 | 693.29 |
| 1822-040BL | 4 | 1 | 0 | 066 | 1172.06 |

True Union 2000 Industrial Ball Valves w/Handle Lockout & Safe-T-Block™ Design

FKM O-rings



| | | | | | |
|------------|-------|---|----|-----|---------|
| 1839-005BL | 1/2 | 1 | 18 | 066 | 115.00 |
| 1839-007BL | 3/4 | 1 | 12 | 066 | 136.03 |
| 1839-010BL | 1 | 1 | 12 | 066 | 184.29 |
| 1839-012BL | 1-1/4 | 1 | 8 | 066 | 257.12 |
| 1839-015BL | 1-1/2 | 1 | 8 | 066 | 336.72 |
| 1839-020BL | 2 | 1 | 4 | 066 | 440.73 |
| 1832-030BL | 3 | 1 | 0 | 066 | 856.56 |
| 1832-040BL | 4 | 1 | 0 | 066 | 1447.23 |

True Union 2000 Industrial T-Style Ball Valve

EPDM

Mainline Tee x Socket/Spigot



Safe-T-Block™ Design

| | | | | | |
|--------------|-------|---|---|-----|--------|
| 182901-005BL | 1/2 | 1 | 8 | 066 | 376.67 |
| 182901-007BL | 3/4 | 1 | 8 | 066 | 411.59 |
| 182901-010BL | 1 | 1 | 8 | 066 | 348.63 |
| 182901-012BL | 1-1/4 | 1 | 8 | 066 | 388.88 |
| 182901-015BL | 1-1/2 | 1 | 0 | 066 | 402.95 |
| 182901-020BL | 2 | 1 | 0 | 066 | 430.47 |

| Part Number | Size | Std Pk | Mstr Ctn | Prod Code | MSRP |
|-------------|------|--------|----------|-----------|------|
|-------------|------|--------|----------|-----------|------|

True Union 2000 Industrial T-Style Ball Valve (continued)

EPDM

Mainline Tee x Socket/Spigot

| | | | | | |
|--------------|-----------|---|---|-----|---------|
| 182901-101BL | 3/4X1/2 | 1 | 8 | 066 | 382.87 |
| 182901-130BL | 1X1/2 | 1 | 8 | 066 | 397.22 |
| 182901-131BL | 1X3/4 | 1 | 8 | 066 | 419.36 |
| 182901-166BL | 1-1/4X1/2 | 1 | 8 | 066 | 424.93 |
| 182901-167BL | 1-1/4X3/4 | 1 | 8 | 066 | 427.13 |
| 182901-168BL | 1-1/4X1 | 1 | 8 | 066 | 489.60 |
| 182901-209BL | 1-1/2X1/2 | 1 | 8 | 066 | 477.26 |
| 182901-210BL | 1-1/2X3/4 | 1 | 8 | 066 | 427.13 |
| 182901-211BL | 1-1/2X1 | 1 | 8 | 066 | 508.05 |
| 182901-247BL | 2X1/2 | 1 | 8 | 066 | 545.00 |
| 182901-248BL | 2X3/4 | 1 | 8 | 066 | 588.06 |
| 182901-249BL | 2X1 | 1 | 8 | 066 | 618.91 |
| 182901-251BL | 2X1-1/2 | 1 | 0 | 066 | 641.62 |
| 182901-333BL | 3X1/2 | 1 | 0 | 066 | 717.46 |
| 182901-335BL | 3X1 | 1 | 0 | 066 | 893.32 |
| 182901-337BL | 3X1-1/2 | 1 | 0 | 066 | 855.99 |
| 182901-338BL | 3X2 | 1 | 0 | 066 | 939.16 |
| 182901-417BL | 4X1 | 1 | 0 | 066 | 923.75 |
| 182901-419BL | 4X1-1/2 | 1 | 0 | 066 | 1028.45 |
| 182901-420BL | 4X2 | 1 | 0 | 066 | 1225.49 |
| 182901-528BL | 6X2 | 1 | 0 | 066 | 1600.69 |
| 182901-578BL | 8X2 | 1 | 0 | 066 | 2361.73 |

Includes Plugged end with additional Socket and Threaded end connectors.

True Union 2000 Industrial T-Style Ball Valve

FKM

Mainline Tee x Socket/Fipt



Safe-T-Block™ Design

| | | | | | |
|--------------|-----------|---|----|-----|---------|
| 183901-005BL | 1/2 | 1 | 12 | 066 | 394.41 |
| 183901-007BL | 3/4 | 1 | 8 | 066 | 431.96 |
| 183901-010BL | 1 | 1 | 8 | 066 | 449.91 |
| 183901-015BL | 1-1/2 | 1 | 0 | 066 | 464.79 |
| 183901-020BL | 2 | 1 | 0 | 066 | 529.23 |
| 183901-101BL | 3/4X1/2 | 1 | 12 | 066 | 400.63 |
| 183901-130BL | 1X1/2 | 1 | 8 | 066 | 414.98 |
| 183901-131BL | 1X3/4 | 1 | 8 | 066 | 439.73 |
| 183901-166BL | 1-1/4X1/2 | 1 | 8 | 066 | 442.68 |
| 183901-167BL | 1-1/4X3/4 | 1 | 8 | 066 | 447.49 |
| 183901-168BL | 1-1/4X1 | 1 | 8 | 066 | 520.16 |
| 183901-209BL | 1-1/2X1/2 | 1 | 8 | 066 | 442.68 |
| 183901-210BL | 1-1/2X3/4 | 1 | 8 | 066 | 447.49 |
| 183901-211BL | 1-1/2X1 | 1 | 8 | 066 | 520.16 |
| 183901-247BL | 2X1/2 | 1 | 8 | 066 | 562.78 |
| 183901-248BL | 2X3/4 | 1 | 8 | 066 | 608.44 |
| 183901-249BL | 2X1 | 1 | 8 | 066 | 649.47 |
| 183901-251BL | 2X1-1/2 | 1 | 8 | 066 | 764.83 |
| 183901-333BL | 3X1/2 | 1 | 8 | 066 | 735.20 |
| 183901-335BL | 3X1 | 1 | 0 | 066 | 781.89 |
| 183901-337BL | 3X1-1/2 | 1 | 0 | 066 | 894.15 |
| 183901-338BL | 3X2 | 1 | 0 | 066 | 1010.18 |
| 183901-417BL | 4X1 | 1 | 0 | 066 | 954.32 |



Low Extractable Product
Low-Extractable Piping For Ultra-Pure Water Systems

| Part Number | Size | Std Pk | Mstr Ctn | Prod Code | MSRP |
|--|---------|--------|----------|-----------|---------|
| True Union 2000 Industrial T-Style Ball Valve (continued) | | | | | |
| FKM | | | | | |
| Mainline Tee x Socket/Fipt | | | | | |
| 183901-419BL | 4X1-1/2 | 1 | 0 | 066 | 1066.58 |
| 183901-420BL | 4X2 | 1 | 0 | 066 | 1296.57 |
| 183901-528BL | 6X2 | 1 | 0 | 066 | 1671.76 |
| 183901-578BL | 8X2 | 1 | 0 | 066 | 2432.77 |

True Union 2000 Industrial Ball Check Valves



EPDM O-rings

| | | | | | |
|------------|-------|---|----|-----|---------|
| 4529-005BL | 1/2 | 1 | 18 | 066 | 144.13 |
| 4529-007BL | 3/4 | 1 | 18 | 066 | 174.13 |
| 4529-010BL | 1 | 1 | 12 | 066 | 199.34 |
| 4529-012BL | 1-1/4 | 1 | 12 | 066 | 353.05 |
| 4529-015BL | 1-1/2 | 1 | 8 | 066 | 373.47 |
| 4529-020BL | 2 | 1 | 8 | 066 | 624.45 |
| 4522-030BL | 3 | 1 | 0 | 066 | 876.65 |
| 4522-040BL | 4 | 1 | 0 | 066 | 1644.47 |

True Union 2000 Industrial Ball Check Valves



FKM O-rings

| | | | | | |
|------------|-------|---|----|-----|---------|
| 4539-005BL | 1/2 | 1 | 18 | 066 | 159.73 |
| 4539-007BL | 3/4 | 1 | 18 | 066 | 192.14 |
| 4539-010BL | 1 | 1 | 12 | 066 | 216.38 |
| 4539-012BL | 1-1/4 | 1 | 12 | 066 | 366.25 |
| 4539-015BL | 1-1/2 | 1 | 8 | 066 | 396.48 |
| 4539-020BL | 2 | 1 | 8 | 066 | 648.48 |
| 4532-030BL | 3 | 1 | 0 | 066 | 933.73 |
| 4532-040BL | 4 | 1 | 0 | 066 | 1732.61 |

Diaphragm Valves



EPDM O-ring Seals
EPDM Backed PTFE Diaphragm

| | | | | | |
|-------------|-------|---|----|-----|--------|
| 2729T-005BL | 1/2 | 1 | 12 | 066 | 271.78 |
| 2729T-007BL | 3/4 | 1 | 8 | 066 | 291.99 |
| 2729T-010BL | 1 | 1 | 8 | 066 | 341.29 |
| 2729T-012BL | 1-1/4 | 1 | 4 | 066 | 461.38 |
| 2729T-015BL | 1-1/2 | 1 | 4 | 066 | 559.98 |
| 2729T-020BL | 2 | 1 | 0 | 066 | 735.69 |

Note: Both socket and threaded end connectors are provided with valve sizes 1/2"- 2" Diaphragm valves. Valves carry a maximum pressure rating of 150 psi for water, non-shock, @ 73°F (23°C).

T-style "Zero Dead Leg" Diaphragm Valve



Mainline Tee x Spigot
EPDM Backed PTFE Diaphragm

| | | | | | |
|---------------|-----|---|---|-----|--------|
| 2797TZD-005BL | 1/2 | 1 | 8 | 066 | 363.06 |
| 2797TZD-007BL | 3/4 | 1 | 8 | 066 | 387.66 |

| Part Number | Size | Std Pk | Mstr Ctn | Prod Code | MSRP |
|--|-----------|--------|----------|-----------|--------|
| T-style "Zero Dead Leg" Diaphragm Valve (continued) | | | | | |
| Mainline Tee x Spigot | | | | | |
| EPDM Backed PTFE Diaphragm | | | | | |
| 2797TZD-010BL | 1X1 | 1 | 4 | 066 | 561.62 |
| 2797TZD-015BL | 1-1/2 | 1 | 4 | 066 | 848.94 |
| 2797TZD-020BL | 2X2 | 1 | 0 | 066 | 970.06 |
| 2797TZD-130BL | 1X1/2 | 1 | 8 | 066 | 365.21 |
| 2797TZD-131BL | 1X3/4 | 1 | 8 | 066 | 388.58 |
| 2797TZD-209BL | 1-1/2X1/2 | 1 | 4 | 066 | 370.21 |
| 2797TZD-210BL | 1-1/2X3/4 | 1 | 4 | 066 | 388.32 |
| 2797TZD-247BL | 2X1/2 | 1 | 8 | 066 | 393.36 |
| 2797TZD-249BL | 2X1 | 1 | 0 | 066 | 588.01 |
| 2797TZD-251BL | 2X1-1/2 | 1 | 4 | 066 | 840.55 |

Needle Valve



Globe Pattern - Fipt

| | | | | | |
|------------|-----|---|----|-----|--------|
| 5591-002BL | 1/4 | 1 | 18 | 066 | 131.45 |
| 5591-003BL | 3/8 | 1 | 18 | 066 | 131.45 |

Replaceable PTFE Stem Seal - no elastomer or lubricants used. Needle valves carry a maximum internal pressure rating of 235 psi at 73°F (23°C).

Needle Valve



Globe Pattern - Socket

| | | | | | |
|------------|-----|---|----|-----|--------|
| 5592-002BL | 1/4 | 1 | 18 | 066 | 131.45 |
| 5592-003BL | 3/8 | 1 | 18 | 066 | 131.45 |
| 5592-005BL | 1/2 | 1 | 18 | 066 | 136.79 |

Replaceable PTFE Stem Seal - no elastomer or lubricants used. Needle valves carry a maximum internal pressure rating of 235 psi at 73°F (23°C).

Needle Valve



Globe Pattern - SR Fipt

| | | | | | |
|--------------|-----|---|----|-----|--------|
| 5591-005BLSR | 1/2 | 1 | 18 | 066 | 139.55 |
|--------------|-----|---|----|-----|--------|

Replaceable PTFE Stem Seal - no elastomer or lubricants used. Needle valves carry a maximum internal pressure rating of 235 psi at 73°F (23°C).

Needle Valve



Angle Pattern - Fipt

| | | | | | |
|------------|-----|---|----|-----|--------|
| 5691-002BL | 1/4 | 1 | 18 | 066 | 131.45 |
| 5691-003BL | 3/8 | 1 | 18 | 066 | 131.45 |

Replaceable PTFE Stem Seal - no elastomer or lubricants used. Needle valves carry a maximum internal pressure rating of 235 psi at 73°F (23°C).

Needle Valve



Angle Pattern - Socket

| | | | | | |
|------------|-----|---|----|-----|--------|
| 5692-002BL | 1/4 | 1 | 18 | 066 | 131.45 |
|------------|-----|---|----|-----|--------|

Low Extractable Product
Low-Extractable Piping For Ultra-Pure Water Systems



| Part Number | Size | Std Pk | Mstr Ctn | Prod Code | MSRP |
|-------------|------|--------|----------|-----------|------|
|-------------|------|--------|----------|-----------|------|

Needle Valve (continued)

Angle Pattern - Socket

| | | | | | |
|------------|-----|---|----|-----|--------|
| 5692-003BL | 3/8 | 1 | 18 | 066 | 131.45 |
| 5692-005BL | 1/2 | 1 | 18 | 066 | 139.55 |

Replaceable PTFE Stem Seal - no elastomer or lubricants used. Needle valves carry a maximum internal pressure rating of 235 psi at 73°F (23°C).



Needle Valve

Angle Pattern - SR Fipt

| | | | | | |
|--------------|-----|---|----|-----|--------|
| 5691-005BLSR | 1/2 | 1 | 18 | 066 | 139.55 |
|--------------|-----|---|----|-----|--------|

Replaceable PTFE Stem Seal - no elastomer or lubricants used. Needle valves carry a maximum internal pressure rating of 235 psi at 73°F (23°C).

"No Gauge" designates Gauge Guard only, unfilled. Other units are pre-filled and factory assembled with gauge specified in Size column. Gauge Guards carry a maximum pressure rating to 235 psi @ 73°F (23°C) and full vacuum service on vacuum gauges. All inlet connections are Spears® patented Special Reinforced (SR) female plastic NPT thread.



Gauge Guards

PTFE Diaphragm 1/4" Inlet Connection

| | | | | | |
|-------------|------------|---|----|-----|--------|
| G0004-002BL | No Gauge | 1 | 18 | 623 | 149.33 |
| G30V4-002BL | 0-30 in-Hg | 1 | 18 | 623 | 230.96 |
| G0154-002BL | 0-15 psi | 1 | 18 | 623 | 218.28 |
| G0304-002BL | 0-30 psi | 1 | 18 | 623 | 218.28 |
| G0604-002BL | 0-60 psi | 1 | 18 | 623 | 218.28 |
| G1004-002BL | 0-100 psi | 1 | 18 | 623 | 218.28 |
| G1604-002BL | 0-160 psi | 1 | 18 | 623 | 218.28 |
| G2004-002BL | 0-200 psi | 1 | 18 | 623 | 218.28 |
| G3004-002BL | 0-300 psi | 1 | 18 | 623 | 218.28 |



Gauge Guards

PTFE Diaphragm 1/2" Inlet Connection

| | | | | | |
|-------------|------------|---|----|-----|--------|
| G0004-005BL | No Gauge | 1 | 18 | 623 | 149.33 |
| G30V4-005BL | 0-30 in-Hg | 1 | 18 | 623 | 230.96 |
| G0154-005BL | 0-15 psi | 1 | 18 | 623 | 218.28 |
| G0304-005BL | 0-30 psi | 1 | 18 | 623 | 218.28 |
| G0604-005BL | 0-60 psi | 1 | 18 | 623 | 218.28 |
| G1004-005BL | 0-100 psi | 1 | 18 | 623 | 218.28 |
| G1604-005BL | 0-160 psi | 1 | 18 | 623 | 218.28 |
| G2004-005BL | 0-200 psi | 1 | 18 | 623 | 218.28 |
| G3004-005BL | 0-300 psi | 1 | 18 | 623 | 218.28 |



Gauge Guards

FKM Diaphragm 1/4" Inlet Connection

| | | | | | |
|-------------|------------|---|----|-----|--------|
| G0003-002BL | No Gauge | 1 | 18 | 623 | 149.33 |
| G30V3-002BL | 0-30 in-Hg | 1 | 18 | 623 | 230.96 |

Made in the U.S.A.

Suitable for Oil-Free air handling to 25 psi, not for distribution of compressed air or gas
 See MSRP-1 Sheet or Check Spears® On-line Catalog @ www.spearsmfg.com for Pricing

| Part Number | Size | Std Pk | Mstr Ctn | Prod Code | MSRP |
|-------------|------|--------|----------|-----------|------|
|-------------|------|--------|----------|-----------|------|

Gauge Guards (continued)

FKM Diaphragm 1/4" Inlet Connection

| | | | | | |
|-------------|-----------|---|----|-----|--------|
| G0153-002BL | 0-15 psi | 1 | 18 | 623 | 218.28 |
| G0303-002BL | 0-30 psi | 1 | 18 | 623 | 218.28 |
| G0603-002BL | 0-60 psi | 1 | 18 | 623 | 218.28 |
| G1003-002BL | 0-100 psi | 1 | 18 | 623 | 218.28 |
| G1603-002BL | 0-160 psi | 1 | 18 | 623 | 218.28 |
| G2003-002BL | 0-200 psi | 1 | 18 | 623 | 218.28 |
| G3003-002BL | 0-300 psi | 1 | 18 | 623 | 218.28 |



Gauge Guards

FKM Diaphragm 1/2" Inlet Connection

| | | | | | |
|-------------|------------|---|----|-----|--------|
| G0003-005BL | No Gauge | 1 | 18 | 623 | 149.33 |
| G30V3-005BL | 0-30 in-Hg | 1 | 18 | 623 | 230.96 |
| G0153-005BL | 0-15 psi | 1 | 18 | 623 | 218.28 |
| G0303-005BL | 0-30 psi | 1 | 18 | 623 | 218.28 |
| G0603-005BL | 0-60 psi | 1 | 18 | 623 | 218.28 |
| G1003-005BL | 0-100 psi | 1 | 18 | 623 | 218.28 |
| G1603-005BL | 0-160 psi | 1 | 18 | 623 | 218.28 |
| G2003-005BL | 0-200 psi | 1 | 18 | 623 | 218.28 |
| G3003-005BL | 0-300 psi | 1 | 18 | 623 | 218.28 |



Gauge Guards

EPDM Diaphragm 1/4" Inlet Connection

| | | | | | |
|-------------|------------|---|----|-----|--------|
| G0002-002BL | No Gauge | 1 | 18 | 623 | 143.36 |
| G30V2-002BL | 0-30 in-Hg | 1 | 18 | 623 | 221.72 |
| G0152-002BL | 0-15 psi | 1 | 18 | 623 | 209.57 |
| G0302-002BL | 0-30 psi | 1 | 18 | 623 | 209.57 |
| G0602-002BL | 0-60 psi | 1 | 18 | 623 | 209.57 |
| G1002-002BL | 0-100 psi | 1 | 18 | 623 | 209.57 |
| G1602-002BL | 0-160 psi | 1 | 18 | 623 | 209.57 |
| G2002-002BL | 0-200 psi | 1 | 18 | 623 | 209.57 |
| G3002-002BL | 0-300 psi | 1 | 18 | 623 | 209.57 |



Gauge Guards

EPDM Diaphragm 1/2" Inlet Connection

| | | | | | |
|-------------|------------|---|----|-----|--------|
| G0002-005BL | No Gauge | 1 | 18 | 623 | 143.36 |
| G30V2-005BL | 0-30 in-Hg | 1 | 18 | 623 | 221.72 |
| G0152-005BL | 0-15 psi | 1 | 18 | 623 | 209.57 |
| G0302-005BL | 0-30 psi | 1 | 18 | 623 | 209.57 |
| G0602-005BL | 0-60 psi | 1 | 18 | 623 | 209.57 |
| G1002-005BL | 0-100 psi | 1 | 18 | 623 | 209.57 |
| G1602-005BL | 0-160 psi | 1 | 18 | 623 | 209.57 |
| G2002-005BL | 0-200 psi | 1 | 18 | 623 | 209.57 |
| G3002-005BL | 0-300 psi | 1 | 18 | 623 | 209.57 |





Low Extractable Product
Low-Extractable Piping For Ultra-Pure Water Systems

| Part Number | Size | Std Pk | Mstr Ctn | Prod Code | MSRP |
|-------------|------|--------|----------|-----------|------|
|-------------|------|--------|----------|-----------|------|



LX-5 Low Extractable One-Step Cement

| | | | | | |
|----------|--------------|----|---|-----|-------|
| LX5C-020 | Pint | 12 | 0 | 702 | 31.92 |
| LX5C-030 | Quart | 12 | 0 | 702 | 51.48 |



Empty Can

| | | | | | |
|--------|--------------|-----|---|-----|------|
| MT-654 | Pint | 192 | 0 | 710 | 5.50 |
| MT-651 | Quart | 100 | 0 | 710 | 7.14 |
| MT-653 | Quart | 12 | 0 | 710 | 8.36 |

MT-651 & MT-654 cans have 1-3/4" Screw Neck size
 MT-653 is a TT Paint Type can

Brush



For Pint and Quart cans

| | | | | | |
|--------|----------------------|----|---|-----|------|
| KD-110 | 4-1/2" Length | 25 | 0 | 710 | 9.59 |
| KD-112 | 5-1/2" length | 25 | 0 | 710 | 9.59 |

Fits 1-3/4" Screw Cap



Roller

| | | | | | |
|------|------------------|----|---|-----|-------|
| 3020 | 3" length | 20 | 0 | 710 | 16.03 |
|------|------------------|----|---|-----|-------|

Fits Paint Type Quart Can (MT-653). For use with pipe sizes 3" to 6"



Cap Dauber

| | | | | | |
|--------|-------------------------|----|---|-----|------|
| DP-75 | 3/4" for Pint | 50 | 0 | 710 | 1.31 |
| DP-125 | 1-1/4" for Pint | 50 | 0 | 710 | 1.58 |
| DQ-125 | 1-1/4" for Quart | 50 | 0 | 710 | 1.58 |

1/2" Diameter for pipe sizes to 1"
 3/4" Diameter for pipe size to 1-1/2"
 1-1/4" Diameter for pipe size 1-1/2" to 3"



Can-Mate Dauber

| | | | | | |
|--------|---------------|----|---|-----|------|
| CM-75 | 3/4" | 50 | 0 | 710 | 5.26 |
| CM-150 | 1-1/4" | 50 | 0 | 710 | 5.26 |

1/2" Diameter for pipe sizes to 1"
 3/4" Diameter for pipe size to 1-1/2"
 1-1/4" Diameter for pipe size 1-1/2" to 3"

| Part Number | Size | Std Pk | Mstr Ctn | Prod Code | MSRP |
|-------------|------|--------|----------|-----------|------|
|-------------|------|--------|----------|-----------|------|

Deburring Tool



Cone Type for pipe from 1/2" through 2"

| | | | | | |
|-------|------------------------|---|---|-----|-------|
| DEB-2 | 1/2" to 2" Pipe | 1 | 6 | 710 | 97.71 |
|-------|------------------------|---|---|-----|-------|

Tee



Socket x Socket x Socket

| | | | | | |
|-----------|--------------|----|-----|-----|--------|
| 801-005BL | 1/2 | 25 | 0 | 065 | 7.65 |
| 801-007BL | 3/4 | 15 | 120 | 065 | 9.35 |
| 801-010BL | 1 | 15 | 0 | 065 | 13.78 |
| 801-012BL | 1-1/4 | 10 | 0 | 065 | 21.47 |
| 801-015BL | 1-1/2 | 10 | 0 | 065 | 32.24 |
| 801-020BL | 2 | 10 | 0 | 065 | 51.19 |
| 801-030BL | 3 | 5 | 0 | 065 | 147.91 |
| 801-040BL | 4 | 5 | 0 | 065 | 247.29 |
| 801-060BL | 6 | 4 | 0 | 065 | 370.95 |

Reducing Tee



Socket x Socket x Socket

| | | | | | |
|-----------|----------------------|----|---|-----|--------|
| 801-131BL | 1X1X3/4 | 15 | 0 | 065 | 12.86 |
| 801-211BL | 1-1/2X1-1/2X1 | 10 | 0 | 065 | 27.95 |
| 801-249BL | 2X2X1 | 10 | 0 | 065 | 35.38 |
| 801-251BL | 2X2X1-1/2 | 10 | 0 | 065 | 35.38 |
| 801-338BL | 3X3X2 | 5 | 0 | 065 | 64.87 |
| 801-422BL | 4X4X3 | 5 | 0 | 065 | 104.87 |
| 801-530BL | 6X6X3 | 4 | 0 | 065 | 444.94 |
| 801-532BL | 6X6X4 | 5 | 0 | 065 | 444.94 |

90° Ell



Socket x Socket

| | | | | | |
|-----------|--------------|----|-----|-----|--------|
| 806-005BL | 1/2 | 20 | 160 | 065 | 4.75 |
| 806-007BL | 3/4 | 20 | 160 | 065 | 5.67 |
| 806-010BL | 1 | 10 | 80 | 065 | 11.24 |
| 806-012BL | 1-1/4 | 10 | 0 | 065 | 17.95 |
| 806-015BL | 1-1/2 | 10 | 0 | 065 | 26.56 |
| 806-020BL | 2 | 25 | 0 | 065 | 44.86 |
| 806-030BL | 3 | 5 | 0 | 065 | 115.04 |
| 806-040BL | 4 | 5 | 0 | 065 | 212.37 |
| 806-060BL | 6 | 4 | 0 | 065 | 318.55 |

90° Sweep Ell



Socket x Socket

| | | | | | |
|------------|------------|----|-----|-----|-------|
| 806-005SBL | 1/2 | 25 | 100 | 065 | 6.77 |
| 806-007SBL | 3/4 | 25 | 0 | 065 | 8.12 |
| 806-010SBL | 1 | 25 | 0 | 065 | 16.06 |

Low Extractable Product
Low-Extractable Piping For Ultra-Pure Water Systems



| Part Number | Size | Std Pk | Mstr Ctn | Prod Code | MSRP |
|-------------|------|--------|----------|-----------|------|
|-------------|------|--------|----------|-----------|------|

90° Sweep Ell (continued)

Socket x Socket

| | | | | | |
|------------|-------|----|---|-----|-------|
| 806-012SBL | 1-1/4 | 25 | 0 | 065 | 25.65 |
| 806-015SBL | 1-1/2 | 25 | 0 | 065 | 37.92 |
| 806-020SBL | 2 | 25 | 0 | 065 | 64.09 |

45° Ell

Socket x Socket

| | | | | | |
|-----------|-------|----|-----|-----|--------|
| 817-005BL | 1/2 | 20 | 240 | 065 | 7.59 |
| 817-007BL | 3/4 | 10 | 120 | 065 | 10.38 |
| 817-010BL | 1 | 15 | 120 | 065 | 12.45 |
| 817-012BL | 1-1/4 | 10 | 0 | 065 | 21.65 |
| 817-015BL | 1-1/2 | 10 | 0 | 065 | 24.01 |
| 817-020BL | 2 | 10 | 0 | 065 | 37.92 |
| 817-030BL | 3 | 5 | 0 | 065 | 142.65 |
| 817-040BL | 4 | 5 | 0 | 065 | 208.08 |
| 817-060BL | 6 | 5 | 0 | 065 | 312.14 |

Coupling

Socket x Socket

| | | | | | |
|-----------|-------|----|-----|-----|--------|
| 829-005BL | 1/2 | 25 | 300 | 065 | 3.42 |
| 829-007BL | 3/4 | 15 | 180 | 065 | 3.93 |
| 829-010BL | 1 | 15 | 120 | 065 | 7.22 |
| 829-012BL | 1-1/4 | 10 | 80 | 065 | 10.89 |
| 829-015BL | 1-1/2 | 10 | 0 | 065 | 22.46 |
| 829-020BL | 2 | 10 | 0 | 065 | 32.24 |
| 829-030BL | 3 | 5 | 0 | 065 | 52.45 |
| 829-040BL | 4 | 5 | 0 | 065 | 95.42 |
| 829-060BL | 6 | 4 | 0 | 065 | 202.58 |

Reducer Coupling

Socket x Socket

| | | | | | |
|-----------|-------------|----|-----|-----|--------|
| 829-101BL | 3/4X1/2 | 50 | 0 | 065 | 9.12 |
| 829-131BL | 1X3/4 | 25 | 200 | 065 | 13.28 |
| 829-168BL | 1-1/4X1 | 25 | 0 | 065 | 26.98 |
| 829-210BL | 1-1/2X3/4 | 25 | 0 | 065 | 34.78 |
| 829-211BL | 1-1/2X1 | 25 | 0 | 065 | 28.29 |
| 829-212BL | 1-1/2X1-1/4 | 25 | 0 | 065 | 34.96 |
| 829-249BL | 2X1 | 10 | 0 | 065 | 31.92 |
| 829-251BL | 2X1-1/2 | 10 | 0 | 065 | 31.92 |
| 829-338BL | 3X2 | 8 | 0 | 065 | 78.31 |
| 829-420BL | 4X2 | 4 | 0 | 065 | 149.29 |
| 829-422BL | 4X3 | 5 | 0 | 065 | 143.67 |
| 829-532BL | 6X4 | 4 | 0 | 065 | 550.62 |

| Part Number | Size | Std Pk | Mstr Ctn | Prod Code | MSRP |
|-------------|------|--------|----------|-----------|------|
|-------------|------|--------|----------|-----------|------|

GripLoc™ Transition Coupling

Socket x GripLoc™ Compression EPDM Gasket
WARNING: DO NOT INSERT FINGERS



For quick connection to other IPS Piping Systems

| | | | | | |
|------------|-------|----|---|-----|-------|
| P092-005BL | 1/2 | 28 | 0 | 136 | 11.27 |
| P092-007BL | 3/4 | 24 | 0 | 136 | 13.38 |
| P092-010BL | 1 | 20 | 0 | 136 | 16.90 |
| P092-012BL | 1-1/4 | 10 | 0 | 136 | 22.54 |
| P092-015BL | 1-1/2 | 16 | 0 | 136 | 22.54 |
| P092-020BL | 2 | 12 | 0 | 136 | 29.58 |

Special Reinforced Female Adapter

Socket x SR Fipt



| | | | | | |
|-------------|-------|----|-----|-----|-------|
| 835-005SRBL | 1/2 | 25 | 300 | 065 | 7.09 |
| 835-007SRBL | 3/4 | 25 | 200 | 065 | 8.69 |
| 835-010SRBL | 1 | 25 | 0 | 065 | 13.98 |
| 835-012SRBL | 1-1/4 | 10 | 80 | 065 | 18.05 |
| 835-015SRBL | 1-1/2 | 10 | 80 | 065 | 22.58 |
| 835-020SRBL | 2 | 10 | 0 | 065 | 42.81 |
| 835-030SRBL | 3 | 5 | 0 | 065 | 57.88 |
| 835-040SRBL | 4 | 5 | 0 | 065 | 92.89 |

Special Reinforced Reducing Spigot Female Adapter

Spigot x SR Fipt



| | | | | | |
|-------------|---------|----|-----|-----|-------|
| 878-072SRBL | 1/2X1/4 | 25 | 450 | 065 | 14.14 |
| 878-098SRBL | 3/4X1/4 | 50 | 300 | 065 | 19.53 |
| 878-128SRBL | 1X1/4 | 50 | 0 | 065 | 20.08 |

Male Adapter

Mipt x Socket



| | | | | | |
|-----------|-------|----|-----|-----|-------|
| 836-005BL | 1/2 | 25 | 300 | 065 | 8.68 |
| 836-007BL | 3/4 | 25 | 200 | 065 | 9.60 |
| 836-010BL | 1 | 10 | 60 | 065 | 16.63 |
| 836-012BL | 1-1/4 | 10 | 80 | 065 | 19.44 |
| 836-015BL | 1-1/2 | 10 | 80 | 065 | 27.95 |
| 836-020BL | 2 | 10 | 0 | 065 | 40.39 |
| 836-030BL | 3 | 5 | 0 | 065 | 63.73 |
| 836-040BL | 4 | 5 | 0 | 065 | 90.64 |

Reducer Bushing Flush Style

Spigot x Socket



| | | | | | |
|-----------|-----------|----|---|-----|-------|
| 837-101BL | 3/4X1/2 | 50 | 0 | 065 | 5.17 |
| 837-130BL | 1X1/2 | 50 | 0 | 065 | 7.62 |
| 837-131BL | 1X3/4 | 50 | 0 | 065 | 7.62 |
| 837-166BL | 1-1/4X1/2 | 25 | 0 | 065 | 10.81 |



Low Extractable Product
Low-Extractable Piping For Ultra-Pure Water Systems

| Part Number | Size | Std Pk | Mstr Ctn | Prod Code | MSRP |
|-------------|------|--------|----------|-----------|------|
|-------------|------|--------|----------|-----------|------|

Reducer Bushing Flush Style (continued)

Spigot x Socket

| | | | | | |
|-----------|-------------|----|-----|-----|--------|
| 837-168BL | 1-1/4X1 | 25 | 200 | 065 | 10.81 |
| 837-210BL | 1-1/2X3/4 | 25 | 0 | 065 | 14.72 |
| 837-211BL | 1-1/2X1 | 25 | 200 | 065 | 14.72 |
| 837-212BL | 1-1/2X1-1/4 | 25 | 200 | 065 | 14.72 |
| 837-249BL | 2X1 | 10 | 80 | 065 | 21.01 |
| 837-251BL | 2X1-1/2 | 10 | 80 | 065 | 21.01 |
| 837-338BL | 3X2 | 10 | 0 | 065 | 57.75 |
| 837-422BL | 4X3 | 6 | 0 | 065 | 99.97 |
| 837-532BL | 6X4 | 5 | 0 | 065 | 158.82 |

Reducer Bushing Flush Style

Spigot x Fipt

| | | | | | |
|-----------|-----------|----|-----|-----|-------|
| 838-072BL | 1/2X1/4 | 50 | 400 | 065 | 6.61 |
| 838-073BL | 1/2X3/8 | 50 | 600 | 065 | 6.61 |
| 838-098BL | 3/4X1/4 | 50 | 0 | 065 | 4.37 |
| 838-101BL | 3/4X1/2 | 50 | 0 | 065 | 4.37 |
| 838-129BL | 1X3/8 | 50 | 400 | 065 | 6.88 |
| 838-130BL | 1X1/2 | 50 | 0 | 065 | 6.88 |
| 838-131BL | 1X3/4 | 50 | 0 | 065 | 6.88 |
| 838-210BL | 1-1/2X3/4 | 25 | 200 | 065 | 18.07 |
| 838-211BL | 1-1/2X1 | 25 | 200 | 065 | 18.07 |

Cap

Socket

| | | | | | |
|-----------|-------|----|-----|-----|--------|
| 847-005BL | 1/2 | 25 | 300 | 065 | 7.32 |
| 847-007BL | 3/4 | 25 | 300 | 065 | 7.67 |
| 847-010BL | 1 | 15 | 180 | 065 | 13.64 |
| 847-012BL | 1-1/4 | 10 | 120 | 065 | 16.47 |
| 847-015BL | 1-1/2 | 10 | 80 | 065 | 23.53 |
| 847-020BL | 2 | 10 | 80 | 065 | 32.54 |
| 847-030BL | 3 | 5 | 0 | 065 | 77.77 |
| 847-040BL | 4 | 5 | 0 | 065 | 131.12 |
| 847-060BL | 6 | 4 | 0 | 065 | 443.11 |

Union

Socket x Socket EPDM O-ring Seals

235 psi Maximum Internal Pressure Rating @ 73°F (23°C)

| | | | | | |
|------------|-------|----|----|-----|--------|
| 897-005BL | 1/2 | 10 | 60 | 065 | 13.08 |
| 897-007BL | 3/4 | 10 | 40 | 065 | 16.42 |
| 897-010BL | 1 | 10 | 40 | 065 | 21.47 |
| 897-012BL | 1-1/4 | 5 | 20 | 065 | 30.97 |
| 897-015BL | 1-1/2 | 5 | 0 | 065 | 42.35 |
| 897-020BL | 2 | 5 | 0 | 065 | 63.84 |
| 8097-030BL | 3 | 5 | 0 | 065 | 108.14 |
| 8097-040BL | 4 | 4 | 0 | 065 | 149.62 |

| Part Number | Size | Std Pk | Mstr Ctn | Prod Code | MSRP |
|-------------|------|--------|----------|-----------|------|
|-------------|------|--------|----------|-----------|------|

Union

Socket x Socket FKM O-ring Seals

235 psi Maximum Internal Pressure Rating @ 73°F (23°C)

| | | | | | |
|------------|-------|----|----|-----|--------|
| 857-005BL | 1/2 | 10 | 60 | 065 | 16.06 |
| 857-007BL | 3/4 | 10 | 40 | 065 | 19.60 |
| 857-010BL | 1 | 10 | 40 | 065 | 27.17 |
| 857-012BL | 1-1/4 | 5 | 20 | 065 | 36.66 |
| 857-015BL | 1-1/2 | 5 | 0 | 065 | 51.19 |
| 857-020BL | 2 | 5 | 0 | 065 | 77.74 |
| 8057-030BL | 3 | 5 | 0 | 065 | 131.84 |
| 8057-040BL | 4 | 4 | 0 | 065 | 182.49 |

Flange Socket Van Stone Style

Rated @ 150 psi Working Pressure @ 73°F (23°C)

| | | | | | |
|-----------|-------|----|---|-----|--------|
| 854-005BL | 1/2 | 25 | 0 | 065 | 22.53 |
| 854-007BL | 3/4 | 25 | 0 | 065 | 24.12 |
| 854-010BL | 1 | 15 | 0 | 065 | 26.85 |
| 854-012BL | 1-1/4 | 15 | 0 | 065 | 27.67 |
| 854-015BL | 1-1/2 | 20 | 0 | 065 | 28.25 |
| 854-020BL | 2 | 10 | 0 | 065 | 37.55 |
| 854-030BL | 3 | 10 | 0 | 065 | 64.13 |
| 854-040BL | 4 | 5 | 0 | 065 | 81.11 |
| 854-060BL | 6 | 4 | 0 | 065 | 181.69 |

PVC New Style Standard Tank Adapters with EPDM Gaskets

Socket x Socket

150 psi Maximum Internal Pressure Rating @ 73°F (23°C)

| | | | | | |
|-------------|-------|----|---|-----|--------|
| 8170E-005BL | 1/2 | 25 | 0 | 065 | 44.03 |
| 8170E-007BL | 3/4 | 25 | 0 | 065 | 49.97 |
| 8170E-010BL | 1 | 25 | 0 | 065 | 57.36 |
| 8170E-012BL | 1-1/4 | 20 | 0 | 065 | 72.60 |
| 8170E-015BL | 1-1/2 | 20 | 0 | 065 | 76.19 |
| 8170E-020BL | 2 | 15 | 0 | 065 | 109.82 |
| 8170E-030BL | 3 | 4 | 0 | 065 | 185.71 |
| 8170E-040BL | 4 | 2 | 0 | 065 | 308.27 |

PVC New Style Standard Tank Adapters with FKM Gaskets

Socket x Socket

150 psi Maximum Internal Pressure Rating @ 73°F (23°C)

| | | | | | |
|-------------|-------|----|---|-----|--------|
| 8170V-005BL | 1/2 | 25 | 0 | 065 | 57.73 |
| 8170V-007BL | 3/4 | 25 | 0 | 065 | 66.41 |
| 8170V-010BL | 1 | 25 | 0 | 065 | 76.87 |
| 8170V-012BL | 1-1/4 | 20 | 0 | 065 | 94.45 |
| 8170V-015BL | 1-1/2 | 20 | 0 | 065 | 98.45 |
| 8170V-020BL | 2 | 15 | 0 | 065 | 149.05 |

Low Extractable Product
Low-Extractable Piping For Ultra-Pure Water Systems



| Part Number | Size | Std Pk | Mstr Ctn | Prod Code | MSRP |
|-------------|------|--------|----------|-----------|------|
|-------------|------|--------|----------|-----------|------|

PVC New Style Standard Tank Adapters with FKM Gaskets

(continued)

Socket x Socket

| | | | | | |
|-------------|---|---|---|-----|--------|
| 8170V-030BL | 3 | 4 | 0 | 065 | 255.38 |
| 8170V-040BL | 4 | 2 | 0 | 065 | 565.68 |

Wrench Sets

Body Wrench & Nut Wrench



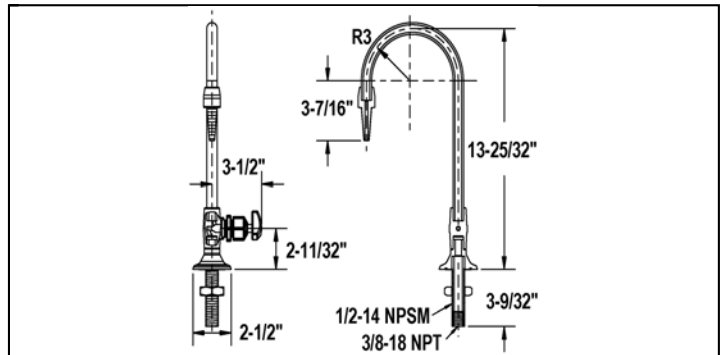
| | | | | | |
|---------|-------|---|----|-----|-------|
| TAW-005 | 1/2 | 1 | 25 | 299 | 23.04 |
| TAW-007 | 3/4 | 1 | 25 | 299 | 23.49 |
| TAW-010 | 1 | 1 | 25 | 299 | 24.43 |
| TAW-012 | 1-1/4 | 1 | 20 | 299 | 27.56 |
| TAW-015 | 1-1/2 | 1 | 20 | 299 | 29.89 |
| TAW-020 | 2 | 1 | 10 | 299 | 34.05 |
| TAW-030 | 3 | 1 | 10 | 299 | 41.52 |
| TAW-040 | 4 | 1 | 10 | 299 | 44.48 |

Individual Body Wrench

| | | | | | |
|----------|-------|-----|---|-----|-------|
| TAW1-005 | 1/2 | 250 | 0 | 299 | 12.93 |
| TAW1-007 | 3/4 | 220 | 0 | 299 | 13.18 |
| TAW1-010 | 1 | 200 | 0 | 299 | 13.72 |
| TAW1-012 | 1-1/4 | 300 | 0 | 299 | 15.54 |
| TAW1-015 | 1-1/2 | 150 | 0 | 299 | 16.73 |
| TAW1-020 | 2 | 100 | 0 | 299 | 18.16 |
| TAW1-030 | 3 | 74 | 0 | 299 | 23.80 |
| TAW1-040 | 4 | 35 | 0 | 299 | 24.48 |

Individual Nut Wrench

| | | | | | |
|----------|-------|-----|---|-----|-------|
| TAW2-005 | 1/2 | 200 | 0 | 299 | 12.93 |
| TAW2-007 | 3/4 | 160 | 0 | 299 | 13.18 |
| TAW2-010 | 1 | 110 | 0 | 299 | 13.72 |
| TAW2-012 | 1-1/4 | 200 | 0 | 299 | 15.54 |
| TAW2-015 | 1-1/2 | 120 | 0 | 299 | 16.73 |
| TAW2-020 | 2 | 100 | 0 | 299 | 18.16 |
| TAW2-030 | 3 | 40 | 0 | 299 | 23.80 |
| TAW2-040 | 4 | 35 | 0 | 299 | 24.48 |

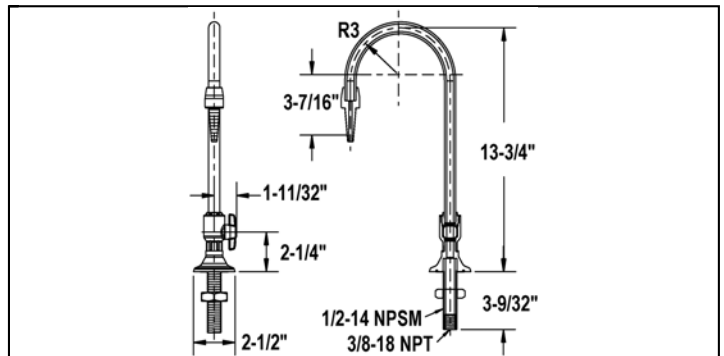


Gooseneck Units - Deck Mount Lab Fixture w/Needle Valve

| Part Number | Size | Std Pk | Mstr Ctn | Prod Code | MSRP |
|-------------|------|--------|----------|-----------|------|
|-------------|------|--------|----------|-----------|------|

Base, Gooseneck & Serrated Tip with Needle Valve-Metered Flow

| | | | | | |
|------------|---------------|---|---|-----|--------|
| LF1000-BLN | LE, PTFE Seal | 1 | 0 | 066 | 396.18 |
|------------|---------------|---|---|-----|--------|

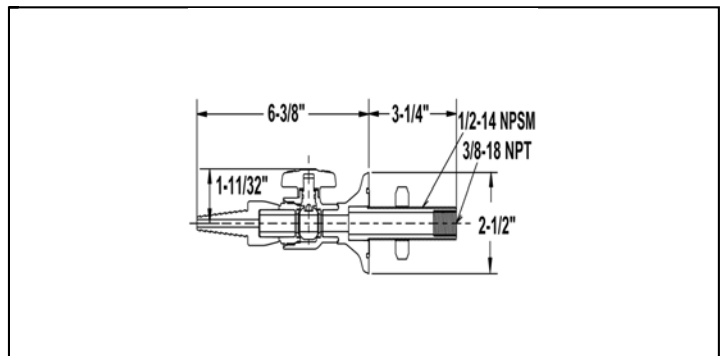


Gooseneck Units - Deck Mount Lab Fixture w/Ball Valve

| Part Number | Size | Std Pk | Mstr Ctn | Prod Code | MSRP |
|-------------|------|--------|----------|-----------|------|
|-------------|------|--------|----------|-----------|------|

Base, Gooseneck & Serrated Tip with Ball Valve-Direct Flow

| | | | | | |
|-----------|---------------|---|---|-----|--------|
| LF1002-BL | LE, EPDM Seal | 1 | 0 | 066 | 331.31 |
| LF1003-BL | LE, FKM Seal | 1 | 0 | 066 | 368.13 |



Turret Unit - Panel Mount Lab Fixture w/Ball Valve

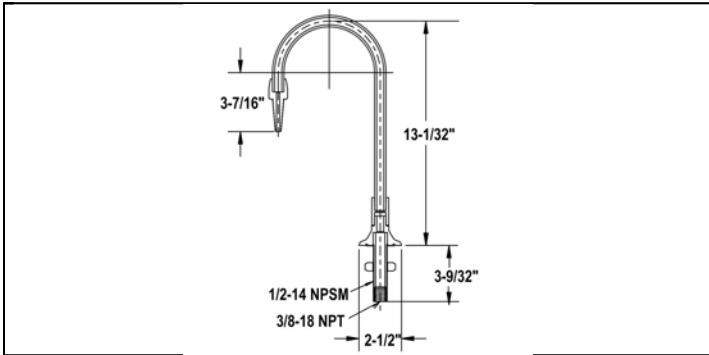
| Part Number | Size | Std Pk | Mstr Ctn | Prod Code | MSRP |
|-------------|------|--------|----------|-----------|------|
|-------------|------|--------|----------|-----------|------|

Turret Base & Serrated Tip with Ball Valve-Direct Flow

| | | | | | |
|-----------|---------------|---|---|-----|--------|
| LF3002-BL | LE, EPDM Seal | 1 | 0 | 066 | 325.89 |
| LF3003-BL | LE, FKM Seal | 1 | 0 | 066 | 362.15 |

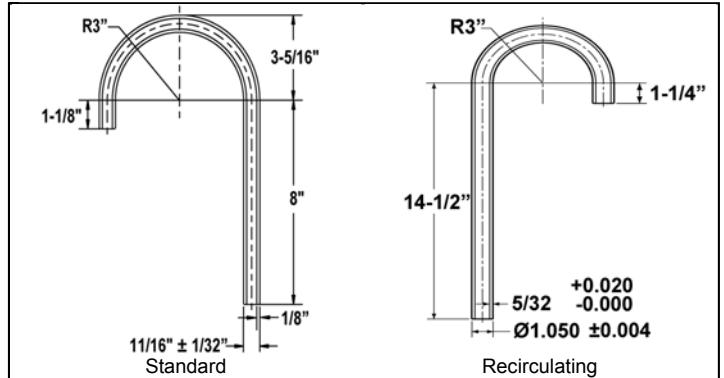


Low Extractable Product
Low-Extractable Piping For Ultra-Pure Water Systems



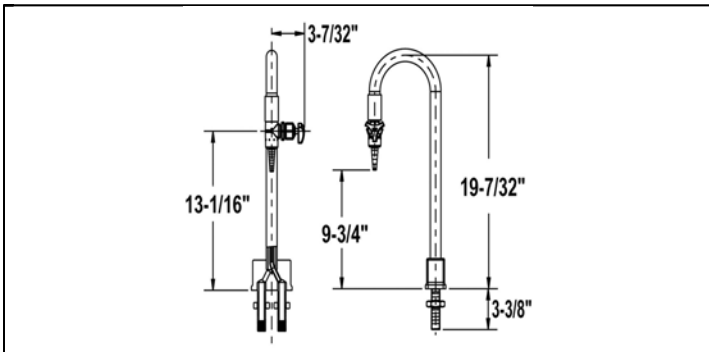
Remote Valve Units (No Valve) - Deck Mount Gooseneck

| Part Number | Size | Std Pk | Mstr Ctn | Prod Code | MSRP |
|---|------|--------|----------|-----------|--------|
| Base, Gooseneck & Serrated Tip - For use with Remote Valve | | | | | |
| LF100-BL | LE | 1 | 0 | 066 | 271.87 |



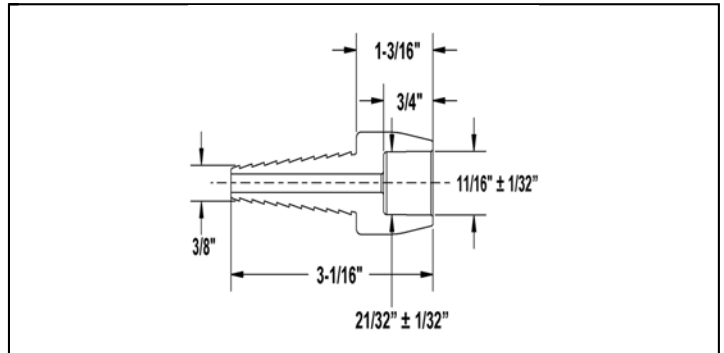
Accessory/ Replacement Gooseneck (3/8")

| Part Number | Size | Std Pk | Mstr Ctn | Prod Code | MSRP |
|-------------|------|--------|----------|-----------|-------|
| LFGN-BL | LF | 1 | 0 | 066 | 38.27 |
| LFRGN-BL | LE | 1 | 0 | 066 | 53.63 |



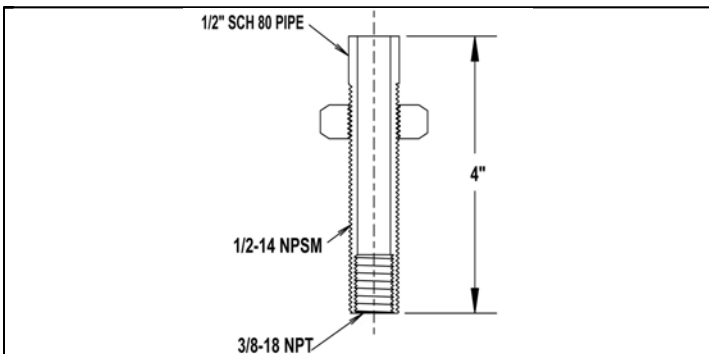
Gooseneck Recirculating Units -Deck Mount Lab Fixture w/Needle Valve

| Part Number | Size | Std Pk | Mstr Ctn | Prod Code | MSRP |
|--|---------------|--------|----------|-----------|--------|
| Base, Gooseneck & Serrated Tip with Needle Valve - Metered Flow | | | | | |
| LFR1000-BLN | LE, PTFE Seal | 1 | 0 | 066 | 825.32 |



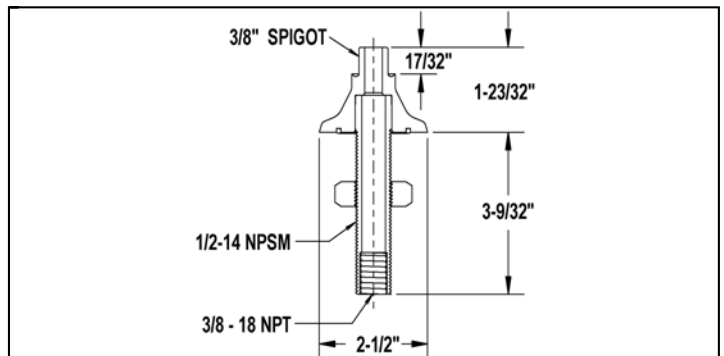
Accessory/ Replacement Straight Serrated Tip Only

| Part Number | Size | Std Pk | Mstr Ctn | Prod Code | MSRP |
|-------------|------|--------|----------|-----------|------|
| LF400-BL | LE | 600 | 0 | 066 | 8.09 |



Accessory/ Replacement Fixture Connection Nipple

| Part Number | Size | Std Pk | Mstr Ctn | Prod Code | MSRP |
|---|------|--------|----------|-----------|-------|
| With Locknut (Included on all fixtures listed above) | | | | | |
| LF500-BL | LE | 1 | 0 | 066 | 45.03 |



Accessory/ Replacement Base Only

| Part Number | Size | Std Pk | Mstr Ctn | Prod Code | MSRP |
|-------------------|------|--------|----------|-----------|------|
| Deck Mount | | | | | |
| LFB-BL | LE | 1 | 0 | 066 | 5.66 |