



Low Extractable Product
Low-Extractable Piping For Ultra-Pure Water Systems

Low-Extractable Piping For Ultra-Pure Water Systems



PRODUCT

Contact Spears® for any Information not found.

Low Extractable Product
Low-Extractable Piping For Ultra-Pure Water Systems



Part Number	Size	Std Pk	Mstr Ctn	Prod Code	MSRP
-------------	------	--------	----------	-----------	------

Pipe - Low Extractable PVC Schedule 80 Plain End

15' Lengths, Price Per Foot



LXT-002	1/4	750	0	064	7.05
LXT-003	3/8	750	0	064	4.37
LXT-005	1/2	630	0	064	5.33
LXT-007	3/4	450	0	064	7.22
LXT-010	1	450	0	064	10.64
LXT-012	1-1/4	450	0	064	14.72
LXT-015	1-1/2	240	0	064	17.81
LXT-020	2	240	0	064	24.69
LXT-030	3	60	0	064	50.38
LXT-040	4	60	0	064	73.65
LXT-060	6	15	0	064	170.76

See Spears® Low-Extractable Schedule 80 Pipe Chart for additional information.

True Union 2000 Industrial Ball Valves w/Handle Lockout & Safe-T-Block™ Design



EPDM O-ring

1829-005BL	1/2	1	18	066	103.65
1829-007BL	3/4	1	12	066	127.02
1829-010BL	1	1	12	066	161.15
1829-012BL	1-1/4	1	8	066	213.62
1829-015BL	1-1/2	1	8	066	279.36
1829-020BL	2	1	4	066	394.39
1822-030BL	3	1	0	066	729.78
1822-040BL	4	1	0	066	1233.75

True Union 2000 Industrial Ball Valves w/Handle Lockout & Safe-T-Block™ Design



FKM O-rings

1839-005BL	1/2	1	18	066	121.05
1839-007BL	3/4	1	12	066	143.19
1839-010BL	1	1	12	066	193.99
1839-012BL	1-1/4	1	8	066	270.65
1839-015BL	1-1/2	1	8	066	354.44
1839-020BL	2	1	4	066	463.93
1832-030BL	3	1	0	066	901.64
1832-040BL	4	1	0	066	1523.40

True Union 2000 Industrial T-Style Ball Valve



EPDM

Mainline Tee x Socket/Spigot

Safe-T-Block™ Design

182901-005BL	1/2	1	8	066	396.49
182901-007BL	3/4	1	8	066	433.25
182901-010BL	1	1	8	066	366.98
182901-012BL	1-1/4	1	8	066	409.35
182901-015BL	1-1/2	1	0	066	424.16
182901-020BL	2	1	0	066	453.13

Made in the U.S.A.

Suitable for Oil-Free air handling to 25 psi, not for distribution of compressed air or gas

Effective 06/26/2017 See MSRP-1 Sheet or Check Spears® On-line Catalog @ www.spearsmfg.com for Pricing

Part Number	Size	Std Pk	Mstr Ctn	Prod Code	MSRP
-------------	------	--------	----------	-----------	------

True Union 2000 Industrial T-Style Ball Valve (continued)

EPDM

Mainline Tee x Socket/Spigot

182901-101BL	3/4X1/2	1	8	066	403.02
182901-130BL	1X1/2	1	8	066	418.13
182901-131BL	1X3/4	1	8	066	441.43
182901-166BL	1-1/4X1/2	1	8	066	447.29
182901-167BL	1-1/4X3/4	1	8	066	449.61
182901-168BL	1-1/4X1	1	8	066	515.37
182901-209BL	1-1/2X1/2	1	8	066	502.38
182901-210BL	1-1/2X3/4	1	8	066	449.61
182901-211BL	1-1/2X1	1	8	066	534.79
182901-247BL	2X1/2	1	8	066	573.68
182901-248BL	2X3/4	1	8	066	619.01
182901-249BL	2X1	1	8	066	651.48
182901-251BL	2X1-1/2	1	0	066	675.39
182901-333BL	3X1/2	1	0	066	755.22
182901-335BL	3X1	1	0	066	940.34
182901-337BL	3X1-1/2	1	0	066	901.04
182901-338BL	3X2	1	0	066	988.59
182901-417BL	4X1	1	0	066	972.37
182901-419BL	4X1-1/2	1	0	066	1082.58
182901-420BL	4X2	1	0	066	1289.99
182901-528BL	6X2	1	0	066	1684.94
182901-578BL	8X2	1	0	066	2486.03

Includes Plugged end with additional Socket and Threaded end connectors.

True Union 2000 Industrial T-Style Ball Valve



FKM

Mainline Tee x Socket/Fipt

Safe-T-Block™ Design

183901-005BL	1/2	1	12	066	415.17
183901-007BL	3/4	1	8	066	454.69
183901-010BL	1	1	8	066	473.59
183901-015BL	1-1/2	1	0	066	489.25
183901-020BL	2	1	0	066	557.08
183901-101BL	3/4X1/2	1	12	066	421.72
183901-130BL	1X1/2	1	8	066	436.82
183901-131BL	1X3/4	1	8	066	462.87
183901-166BL	1-1/4X1/2	1	8	066	465.98
183901-167BL	1-1/4X3/4	1	8	066	471.04
183901-168BL	1-1/4X1	1	8	066	547.54
183901-209BL	1-1/2X1/2	1	8	066	465.98
183901-210BL	1-1/2X3/4	1	8	066	471.04
183901-211BL	1-1/2X1	1	8	066	547.54
183901-247BL	2X1/2	1	8	066	592.40
183901-248BL	2X3/4	1	8	066	640.46
183901-249BL	2X1	1	8	066	683.65
183901-251BL	2X1-1/2	1	8	066	805.08
183901-333BL	3X1/2	1	8	066	773.89
183901-335BL	3X1	1	0	066	823.04
183901-337BL	3X1-1/2	1	0	066	941.21
183901-338BL	3X2	1	0	066	1063.35
183901-417BL	4X1	1	0	066	1004.55



Low Extractable Product
Low-Extractable Piping For Ultra-Pure Water Systems

Part Number	Size	Std PK	Mstr Ctn	Prod Code	MSRP
-------------	------	--------	----------	-----------	------

True Union 2000 Industrial T-Style Ball Valve (continued)

FKM

Mainline Tee x Socket/Fipt

183901-419BL	4X1-1/2	1	0	066	1122.72
183901-420BL	4X2	1	0	066	1364.81
183901-528BL	6X2	1	0	066	1759.75
183901-578BL	8X2	1	0	066	2560.81

Includes Plugged end with additional Socket and Threaded end connectors.

True Union 2000 Industrial Ball Check Valves



EPDM O-rings

4529-005BL	1/2	1	18	066	151.72
4529-007BL	3/4	1	18	066	183.29
4529-010BL	1	1	12	066	209.83
4529-012BL	1-1/4	1	12	066	371.63
4529-015BL	1-1/2	1	8	066	393.13
4529-020BL	2	1	8	066	657.32
4522-030BL	3	1	0	066	922.79
4522-040BL	4	1	0	066	1731.02

True Union 2000 Industrial Ball Check Valves



FKM O-rings

4539-005BL	1/2	1	18	066	168.14
4539-007BL	3/4	1	18	066	202.25
4539-010BL	1	1	12	066	227.77
4539-012BL	1-1/4	1	12	066	385.53
4539-015BL	1-1/2	1	8	066	417.35
4539-020BL	2	1	8	066	682.61
4532-030BL	3	1	0	066	982.87
4532-040BL	4	1	0	066	1823.80

Diaphragm Valves

EPDM O-ring Seals

EPDM Backed PTFE Diaphragm



2729T-005BL	1/2	1	12	066	286.08
2729T-007BL	3/4	1	8	066	307.36
2729T-010BL	1	1	8	066	359.25
2729T-012BL	1-1/4	1	4	066	485.66
2729T-015BL	1-1/2	1	4	066	589.45
2729T-020BL	2	1	0	066	774.41

Note: Both socket and threaded end connectors are provided with valve sizes 1/2" - 2" Diaphragm valves. Valves carry a maximum pressure rating of 150 psi for water, non-shock, @ 73°F (23°C).

T-style "Zero Dead Leg" Diaphragm Valve

Mainline Tee x Spigot

EPDM Backed PTFE Diaphragm



2797TZD-005BL	1/2	1	8	066	382.17
2797TZD-007BL	3/4	1	8	066	408.06

Part Number	Size	Std PK	Mstr Ctn	Prod Code	MSRP
-------------	------	--------	----------	-----------	------

T-style "Zero Dead Leg" Diaphragm Valve (continued)

Mainline Tee x Spigot

EPDM Backed PTFE Diaphragm

2797TZD-010BL	1X1	1	4	066	591.18
2797TZD-015BL	1-1/2	1	4	066	893.62
2797TZD-020BL	2X2	1	0	066	1021.12
2797TZD-130BL	1X1/2	1	8	066	384.43
2797TZD-131BL	1X3/4	1	8	066	409.03
2797TZD-209BL	1-1/2X1/2	1	4	066	389.69
2797TZD-210BL	1-1/2X3/4	1	4	066	408.76
2797TZD-247BL	2X1/2	1	8	066	414.06
2797TZD-249BL	2X1	1	0	066	618.96
2797TZD-251BL	2X1-1/2	1	4	066	884.79

Needle Valve

Globe Pattern - Fipt



5591-002BL	1/4	1	18	066	138.37
5591-003BL	3/8	1	18	066	138.37

Replaceable PTFE Stem Seal - no elastomer or lubricants used. Needle valves carry a maximum internal pressure rating of 235 psi at 73°F (23°C).

Needle Valve

Globe Pattern - Socket



5592-002BL	1/4	1	18	066	138.37
5592-003BL	3/8	1	18	066	138.37
5592-005BL	1/2	1	18	066	143.99

Replaceable PTFE Stem Seal - no elastomer or lubricants used. Needle valves carry a maximum internal pressure rating of 235 psi at 73°F (23°C).

Needle Valve

Globe Pattern - SR Fipt



5591-005BLSR	1/2	1	18	066	146.89
--------------	------------	---	----	-----	--------

Replaceable PTFE Stem Seal - no elastomer or lubricants used. Needle valves carry a maximum internal pressure rating of 235 psi at 73°F (23°C).

Needle Valve

Angle Pattern - Fipt



5691-002BL	1/4	1	18	066	138.37
5691-003BL	3/8	1	18	066	138.37

Replaceable PTFE Stem Seal - no elastomer or lubricants used. Needle valves carry a maximum internal pressure rating of 235 psi at 73°F (23°C).

Needle Valve

Angle Pattern - Socket



5692-002BL	1/4	1	18	066	138.37
------------	------------	---	----	-----	--------

Low Extractable Product
Low-Extractable Piping For Ultra-Pure Water Systems



Part Number	Size	Std Pk	Mstr Ctn	Prod Code	MSRP
-------------	------	--------	----------	-----------	------

Needle Valve (continued)

Angle Pattern - Socket

5692-003BL	3/8	1	18	066	138.37
5692-005BL	1/2	1	18	066	146.89

Replaceable PTFE Stem Seal - no elastomer or lubricants used. Needle valves carry a maximum internal pressure rating of 235 psi at 73°F (23°C).



Needle Valve

Angle Pattern - SR Fipt

5691-005BLSR	1/2	1	18	066	146.89
--------------	-----	---	----	-----	--------

Replaceable PTFE Stem Seal - no elastomer or lubricants used. Needle valves carry a maximum internal pressure rating of 235 psi at 73°F (23°C).

"No Gauge" designates Gauge Guard only, unfilled. Other units are pre-filled and factory assembled with gauge specified in Size column. Gauge Guards carry a maximum pressure rating to 235 psi @ 73°F (23°C) and full vacuum service on vacuum gauges. All inlet connections are Spears® patented Special Reinforced (SR) female plastic NPT thread.

Gauge Guards

PTFE Diaphragm 1/4" Inlet Connection

G0004-002BL	No Gauge	1	18	623	157.19
G30V4-002BL	0-30 in-Hg	1	18	623	243.12
G0154-002BL	0-15 psi	1	18	623	229.77
G0304-002BL	0-30 psi	1	18	623	229.77
G0604-002BL	0-60 psi	1	18	623	229.77
G1004-002BL	0-100 psi	1	18	623	229.77
G1604-002BL	0-160 psi	1	18	623	229.77
G2004-002BL	0-200 psi	1	18	623	229.77
G3004-002BL	0-300 psi	1	18	623	229.77



Gauge Guards

PTFE Diaphragm 1/2" Inlet Connection

G0004-005BL	No Gauge	1	18	623	157.19
G30V4-005BL	0-30 in-Hg	1	18	623	243.12
G0154-005BL	0-15 psi	1	18	623	229.77
G0304-005BL	0-30 psi	1	18	623	229.77
G0604-005BL	0-60 psi	1	18	623	229.77
G1004-005BL	0-100 psi	1	18	623	229.77
G1604-005BL	0-160 psi	1	18	623	229.77
G2004-005BL	0-200 psi	1	18	623	229.77
G3004-005BL	0-300 psi	1	18	623	229.77



Gauge Guards

FKM Diaphragm 1/4" Inlet Connection

G0003-002BL	No Gauge	1	18	623	157.19
G30V3-002BL	0-30 in-Hg	1	18	623	243.12



Part Number	Size	Std Pk	Mstr Ctn	Prod Code	MSRP
-------------	------	--------	----------	-----------	------

Gauge Guards (continued)

FKM Diaphragm 1/4" Inlet Connection

G0153-002BL	0-15 psi	1	18	623	229.77
G0303-002BL	0-30 psi	1	18	623	229.77
G0603-002BL	0-60 psi	1	18	623	229.77
G1003-002BL	0-100 psi	1	18	623	229.77
G1603-002BL	0-160 psi	1	18	623	229.77
G2003-002BL	0-200 psi	1	18	623	229.77
G3003-002BL	0-300 psi	1	18	623	229.77



Gauge Guards

FKM Diaphragm 1/2" Inlet Connection

G0003-005BL	No Gauge	1	18	623	157.19
G30V3-005BL	0-30 in-Hg	1	18	623	243.12
G0153-005BL	0-15 psi	1	18	623	229.77
G0303-005BL	0-30 psi	1	18	623	229.77
G0603-005BL	0-60 psi	1	18	623	229.77
G1003-005BL	0-100 psi	1	18	623	229.77
G1603-005BL	0-160 psi	1	18	623	229.77
G2003-005BL	0-200 psi	1	18	623	229.77
G3003-005BL	0-300 psi	1	18	623	229.77



Gauge Guards

EPDM Diaphragm 1/4" Inlet Connection

G0002-002BL	No Gauge	1	18	623	150.91
G30V2-002BL	0-30 in-Hg	1	18	623	233.39
G0152-002BL	0-15 psi	1	18	623	220.60
G0302-002BL	0-30 psi	1	18	623	220.60
G0602-002BL	0-60 psi	1	18	623	220.60
G1002-002BL	0-100 psi	1	18	623	220.60
G1602-002BL	0-160 psi	1	18	623	220.60
G2002-002BL	0-200 psi	1	18	623	220.60
G3002-002BL	0-300 psi	1	18	623	220.60



Gauge Guards

EPDM Diaphragm 1/2" Inlet Connection

G0002-005BL	No Gauge	1	18	623	150.91
G30V2-005BL	0-30 in-Hg	1	18	623	233.39
G0152-005BL	0-15 psi	1	18	623	220.60
G0302-005BL	0-30 psi	1	18	623	220.60
G0602-005BL	0-60 psi	1	18	623	220.60
G1002-005BL	0-100 psi	1	18	623	220.60
G1602-005BL	0-160 psi	1	18	623	220.60
G2002-005BL	0-200 psi	1	18	623	220.60
G3002-005BL	0-300 psi	1	18	623	220.60



Made in the U.S.A.

Suitable for Oil-Free air handling to 25 psi, not for distribution of compressed air or gas

Effective 06/26/2017 See MSRP-1 Sheet or Check Spears® On-line Catalog @ www.spearsmfg.com for Pricing



Low Extractable Product
Low-Extractable Piping For Ultra-Pure Water Systems

Part Number	Size	Std Pk	Mstr Ctn	Prod Code	MSRP
-------------	------	--------	----------	-----------	------

LX-5 Low Extractable One-Step Cement

LX5C-020	Pint	12	0	702	33.60
LX5C-030	Quart	12	0	702	54.19



Empty Can

MT-654	Pint	192	0	710	5.79
MT-651	Quart	12	0	710	7.52
MT-653	Quart	12	0	710	8.80

MT-651 & MT-654 cans have 1-3/4" Screw Neck size
 MT-653 is a TT Paint Type can



Brush

For Pint and Quart cans

KD-110	4-1/2" Length	25	0	710	10.09
KD-112	5-1/2" length	25	0	710	10.09

Fits 1-3/4" Screw Cap



Roller

3020	3" length	20	0	710	16.87
------	------------------	----	---	-----	-------

Fits Paint Type Quart Can (MT-653). For use with pipe sizes 3" to 6"



Cap Dauber

DP-75	3/4" for Pint	50	0	710	1.38
DP-125	1-1/4" for Pint	50	0	710	1.66
DQ-125	1-1/4" for Quart	50	0	710	1.66

1/2" Diameter for pipe sizes to 1"
 3/4" Diameter for pipe size to 1-1/2"
 1-1/4" Diameter for pipe size 1-1/2" to 3"



Can-Mate Dauber

CM-75	3/4"	50	0	710	5.54
CM-150	1-1/4"	50	0	710	5.54

1/2" Diameter for pipe sizes to 1"
 3/4" Diameter for pipe size to 1-1/2"
 1-1/4" Diameter for pipe size 1-1/2" to 3"



Part Number	Size	Std Pk	Mstr Ctn	Prod Code	MSRP
-------------	------	--------	----------	-----------	------

Deburring Tool

Cone Type for pipe from 1/2" through 2"



DEB-2	1/2" to 2" Pipe	1	6	710	102.85
-------	------------------------	---	---	-----	--------

Tee

Socket x Socket x Socket



801-005BL	1/2	25	0	065	8.05
801-007BL	3/4	15	120	065	9.84
801-010BL	1	15	0	065	14.51
801-012BL	1-1/4	10	0	065	22.60
801-015BL	1-1/2	10	0	065	33.94
801-020BL	2	10	0	065	53.88
801-030BL	3	5	0	065	155.69
801-040BL	4	5	0	065	260.31
801-060BL	6	4	0	065	390.47

Reducing Tee

Socket x Socket x Socket



801-131BL	1X1X3/4	15	0	065	13.54
801-211BL	1-1/2X1-1/2X1	10	0	065	29.42
801-249BL	2X2X1	10	0	065	37.24
801-251BL	2X2X1-1/2	10	0	065	37.24
801-338BL	3X3X2	5	0	065	68.28
801-422BL	4X4X3	5	0	065	110.39
801-530BL	6X6X3	4	0	065	468.36
801-532BL	6X6X4	5	0	065	468.36

90° EII

Socket x Socket



806-005BL	1/2	20	160	065	5.00
806-007BL	3/4	20	160	065	5.97
806-010BL	1	10	80	065	11.83
806-012BL	1-1/4	10	0	065	18.89
806-015BL	1-1/2	10	0	065	27.96
806-020BL	2	25	0	065	47.22
806-030BL	3	5	0	065	121.09
806-040BL	4	5	0	065	223.55
806-060BL	6	4	0	065	335.32

90° Sweep EII

Socket x Socket



806-005SBL	1/2	25	100	065	7.13
806-007SBL	3/4	25	0	065	8.55
806-010SBL	1	25	0	065	16.91

Low Extractable Product
Low-Extractable Piping For Ultra-Pure Water Systems



Part Number	Size	Std Pk	Mstr Ctn	Prod Code	MSRP
-------------	------	--------	----------	-----------	------

90° Sweep Ell (continued)

Socket x Socket

806-012SBL	1-1/4	25	0	065	27.00
806-015SBL	1-1/2	25	0	065	39.92
806-020SBL	2	25	0	065	67.46

45° Ell

Socket x Socket

817-005BL	1/2	20	240	065	7.99
817-007BL	3/4	10	120	065	10.93
817-010BL	1	15	120	065	13.11
817-012BL	1-1/4	10	0	065	22.79
817-015BL	1-1/2	10	0	065	25.27
817-020BL	2	10	0	065	39.92
817-030BL	3	5	0	065	150.16
817-040BL	4	5	0	065	219.03
817-060BL	6	5	0	065	328.57

Coupling

Socket x Socket

829-005BL	1/2	25	300	065	3.60
829-007BL	3/4	15	180	065	4.14
829-010BL	1	15	120	065	7.60
829-012BL	1-1/4	10	80	065	11.46
829-015BL	1-1/2	10	0	065	23.64
829-020BL	2	10	0	065	33.94
829-030BL	3	5	0	065	55.21
829-040BL	4	5	0	065	100.44
829-060BL	6	4	0	065	213.24

Reducer Coupling

Socket x Socket

829-101BL	3/4X1/2	50	0	065	9.60
829-131BL	1X3/4	25	200	065	13.98
829-168BL	1-1/4X1	25	0	065	28.40
829-210BL	1-1/2X3/4	25	0	065	36.61
829-211BL	1-1/2X1	25	0	065	29.78
829-212BL	1-1/2X1-1/4	25	0	065	36.80
829-249BL	2X1	10	0	065	33.60
829-251BL	2X1-1/2	10	0	065	33.60
829-338BL	3X2	8	0	065	82.43
829-420BL	4X2	4	0	065	157.15
829-422BL	4X3	5	0	065	151.23
829-532BL	6X4	4	0	065	579.60

Part Number	Size	Std Pk	Mstr Ctn	Prod Code	MSRP
-------------	------	--------	----------	-----------	------

GripLoc™ Transition Coupling

Socket x GripLoc™ Compression EPDM Gasket
WARNING: DO NOT INSERT FINGERS



For quick connection to other IPS Piping Systems

P092-005BL	1/2	28	0	136	11.86
P092-007BL	3/4	24	0	136	14.08
P092-010BL	1	20	0	136	17.79
P092-012BL	1-1/4	10	0	136	23.73
P092-015BL	1-1/2	16	0	136	23.73
P092-020BL	2	12	0	136	31.14

Special Reinforced Female Adapter

Socket x SR Fipt

835-005SRBL	1/2	25	300	065	7.46
835-007SRBL	3/4	25	200	065	9.15
835-010SRBL	1	25	0	065	14.72
835-012SRBL	1-1/4	10	80	065	19.00
835-015SRBL	1-1/2	10	80	065	23.77
835-020SRBL	2	10	0	065	45.06
835-030SRBL	3	5	0	065	60.93
835-040SRBL	4	5	0	065	97.78

Special Reinforced Reducing Spigot Female Adapter

Spigot x SR Fipt

878-072SRBL	1/2X1/4	25	450	065	14.88
878-098SRBL	3/4X1/4	50	300	065	20.56
878-128SRBL	1X1/4	50	0	065	21.14

Male Adapter

Mipt x Socket

836-005BL	1/2	25	300	065	9.14
836-007BL	3/4	25	200	065	10.11
836-010BL	1	10	60	065	17.51
836-012BL	1-1/4	10	80	065	20.46
836-015BL	1-1/2	10	80	065	29.42
836-020BL	2	10	0	065	42.52
836-030BL	3	5	0	065	67.08
836-040BL	4	5	0	065	95.41

Reducer Bushing Flush Style

Spigot x Socket

837-101BL	3/4X1/2	50	0	065	5.44
837-130BL	1X1/2	50	0	065	8.02
837-131BL	1X3/4	50	0	065	8.02
837-166BL	1-1/4X1/2	25	0	065	11.38



Low Extractable Product
Low-Extractable Piping For Ultra-Pure Water Systems

Part Number	Size	Std Pk	Mstr Ctn	Prod Code	MSRP
-------------	------	--------	----------	-----------	------

Reducer Bushing Flush Style (continued)

Spigot x Socket

837-168BL	1-1/4X1	25	200	065	11.38
837-210BL	1-1/2X3/4	25	0	065	15.49
837-211BL	1-1/2X1	25	200	065	15.49
837-212BL	1-1/2X1-1/4	25	200	065	15.49
837-249BL	2X1	10	80	065	22.12
837-251BL	2X1-1/2	10	80	065	22.12
837-338BL	3X2	10	0	065	60.79
837-422BL	4X3	6	0	065	105.23
837-532BL	6X4	5	0	065	167.18

Reducer Bushing Flush Style

Spigot x Fipt

838-072BL	1/2X1/4	50	400	065	6.96
838-073BL	1/2X3/8	50	600	065	6.96
838-098BL	3/4X1/4	50	0	065	4.60
838-101BL	3/4X1/2	50	0	065	4.60
838-129BL	1X3/8	50	400	065	7.24
838-130BL	1X1/2	50	0	065	7.24
838-131BL	1X3/4	50	0	065	7.24
838-210BL	1-1/2X3/4	25	200	065	19.02
838-211BL	1-1/2X1	25	200	065	19.02

Cap

Socket

847-005BL	1/2	25	300	065	7.71
847-007BL	3/4	25	300	065	8.07
847-010BL	1	15	180	065	14.36
847-012BL	1-1/4	10	120	065	17.34
847-015BL	1-1/2	10	80	065	24.77
847-020BL	2	10	80	065	34.25
847-030BL	3	5	0	065	81.86
847-040BL	4	5	0	065	138.02
847-060BL	6	4	0	065	466.43

Union

Socket x Socket EPDM O-ring Seals

235 psi Maximum Internal Pressure Rating @ 73°F (23°C)

897-005BL	1/2	10	60	065	13.77
897-007BL	3/4	10	40	065	17.28
897-010BL	1	10	40	065	22.60
897-012BL	1-1/4	5	20	065	32.60
897-015BL	1-1/2	5	0	065	44.58
897-020BL	2	5	0	065	67.20
8097-030BL	3	5	0	065	113.83
8097-040BL	4	4	0	065	157.49

Part Number	Size	Std Pk	Mstr Ctn	Prod Code	MSRP
-------------	------	--------	----------	-----------	------

Union

Socket x Socket FKM O-ring Seals

235 psi Maximum Internal Pressure Rating @ 73°F (23°C)

857-005BL	1/2	10	60	065	16.91
857-007BL	3/4	10	40	065	20.63
857-010BL	1	10	40	065	28.60
857-012BL	1-1/4	5	20	065	38.59
857-015BL	1-1/2	5	0	065	53.88
857-020BL	2	5	0	065	81.83
8057-030BL	3	5	0	065	138.78
8057-040BL	4	4	0	065	192.09

Flange Socket Van Stone Style

Rated @ 150 psi Working Pressure @ 73°F (23°C)

854-005BL	1/2	25	0	065	23.72
854-007BL	3/4	25	0	065	25.39
854-010BL	1	15	0	065	28.26
854-012BL	1-1/4	15	0	065	29.13
854-015BL	1-1/2	20	0	065	29.74
854-020BL	2	10	0	065	39.53
854-030BL	3	10	0	065	67.51
854-040BL	4	5	0	065	85.38
854-060BL	6	4	0	065	191.25

PVC New Style Standard Tank Adapters with EPDM Gaskets

Socket x Socket

150 psi Maximum Internal Pressure Rating @ 73°F (23°C)

8170E-005BL	1/2	25	0	065	46.35
8170E-007BL	3/4	25	0	065	52.60
8170E-010BL	1	25	0	065	60.38
8170E-012BL	1-1/4	20	0	065	76.42
8170E-015BL	1-1/2	20	0	065	80.20
8170E-020BL	2	15	0	065	115.60
8170E-030BL	3	4	0	065	195.48
8170E-040BL	4	2	0	065	324.49

PVC New Style Standard Tank Adapters with FKM Gaskets

Socket x Socket

150 psi Maximum Internal Pressure Rating @ 73°F (23°C)

8170V-005BL	1/2	25	0	065	60.77
8170V-007BL	3/4	25	0	065	69.91
8170V-010BL	1	25	0	065	80.92
8170V-012BL	1-1/4	20	0	065	99.42
8170V-015BL	1-1/2	20	0	065	103.63
8170V-020BL	2	15	0	065	156.89

Low Extractable Product
Low-Extractable Piping For Ultra-Pure Water Systems



Part Number	Size	Std Pk	Mstr Ctn	Prod Code	MSRP
-------------	------	--------	----------	-----------	------

PVC New Style Standard Tank Adapters with FKM Gaskets

(continued)

Socket x Socket

8170V-030BL	3	4	0	065	268.82
8170V-040BL	4	2	0	065	595.45

Wrench Sets

Body Wrench & Nut Wrench



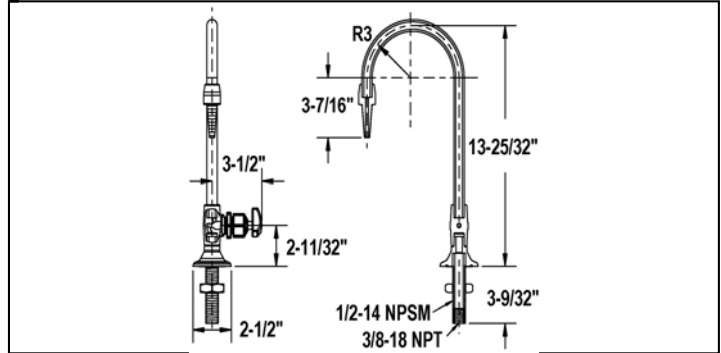
TAW-005	1/2	1	25	299	24.25
TAW-007	3/4	1	25	299	24.73
TAW-010	1	1	25	299	25.72
TAW-012	1-1/4	1	20	299	29.01
TAW-015	1-1/2	1	20	299	31.46
TAW-020	2	1	10	299	35.84
TAW-030	3	1	10	299	43.71
TAW-040	4	1	10	299	46.82

Individual Body Wrench

TAW1-005	1/2	250	0	299	13.61
TAW1-007	3/4	220	0	299	13.87
TAW1-010	1	200	0	299	14.44
TAW1-012	1-1/4	300	0	299	16.36
TAW1-015	1-1/2	150	0	299	17.61
TAW1-020	2	100	0	299	19.12
TAW1-030	3	74	0	299	25.05
TAW1-040	4	35	0	299	25.77

Individual Nut Wrench

TAW2-005	1/2	200	0	299	13.61
TAW2-007	3/4	160	0	299	13.87
TAW2-010	1	110	0	299	14.44
TAW2-012	1-1/4	200	0	299	16.36
TAW2-015	1-1/2	120	0	299	17.61
TAW2-020	2	100	0	299	19.12
TAW2-030	3	40	0	299	25.05
TAW2-040	4	35	0	299	25.77

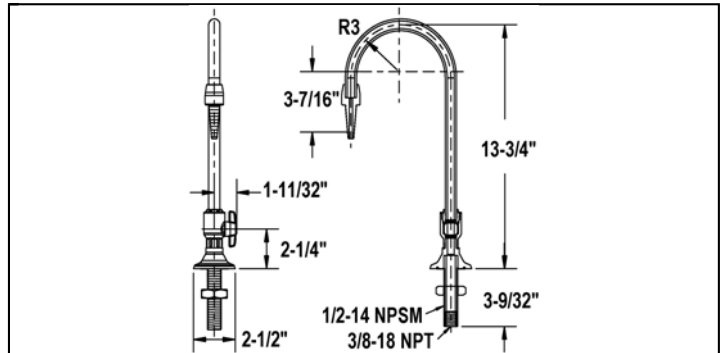


Gooseneck Units - Deck Mount Lab Fixture w/Needle Valve

Part Number	Size	Std Pk	Mstr Ctn	Prod Code	MSRP
-------------	------	--------	----------	-----------	------

Base, Gooseneck & Serrated Tip with Needle Valve-Metered Flow

LF1000-BLN	LE, PTFE Seal	1	0	066	417.03
------------	---------------	---	---	-----	--------

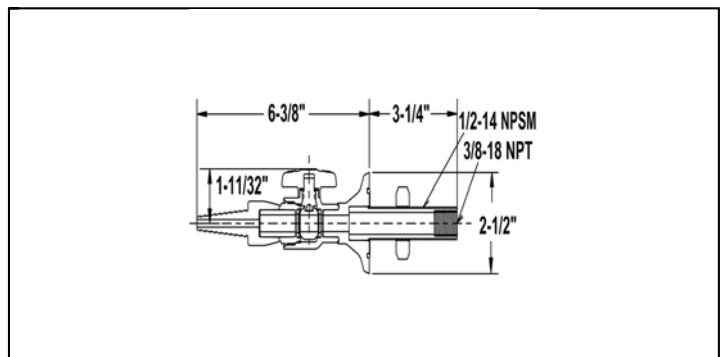


Gooseneck Units - Deck Mount Lab Fixture w/Ball Valve

Part Number	Size	Std Pk	Mstr Ctn	Prod Code	MSRP
-------------	------	--------	----------	-----------	------

Base, Gooseneck & Serrated Tip with Ball Valve-Direct Flow

LF1002-BL	LE, EPDM Seal	1	0	066	348.75
LF1003-BL	LE, FKM Seal	1	0	066	387.51



Turret Unit - Panel Mount Lab Fixture w/Ball Valve

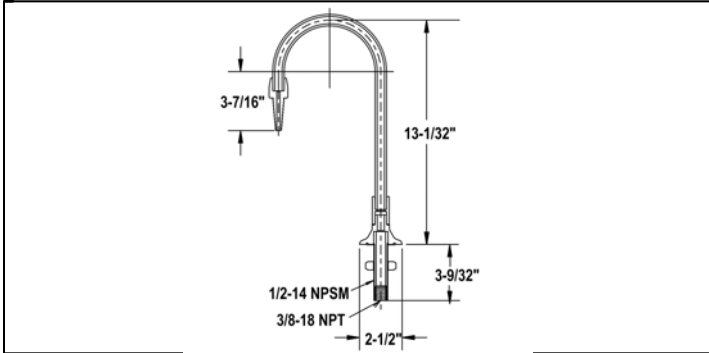
Part Number	Size	Std Pk	Mstr Ctn	Prod Code	MSRP
-------------	------	--------	----------	-----------	------

Turret Base & Serrated Tip with Ball Valve-Direct Flow

LF3002-BL	LE, EPDM Seal	1	0	066	343.04
LF3003-BL	LE, FKM Seal	1	0	066	381.21

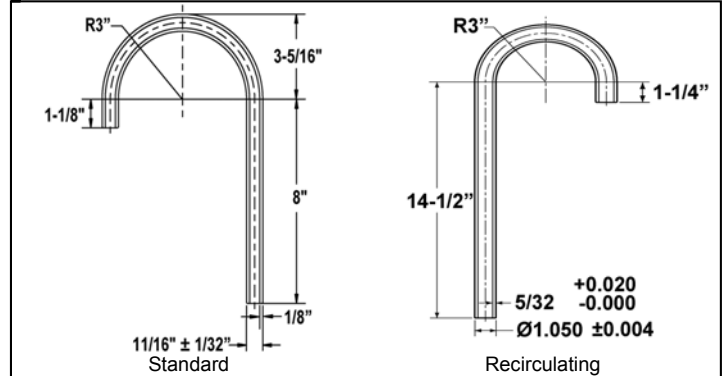


Low Extractable Product
Low-Extractable Piping For Ultra-Pure Water Systems



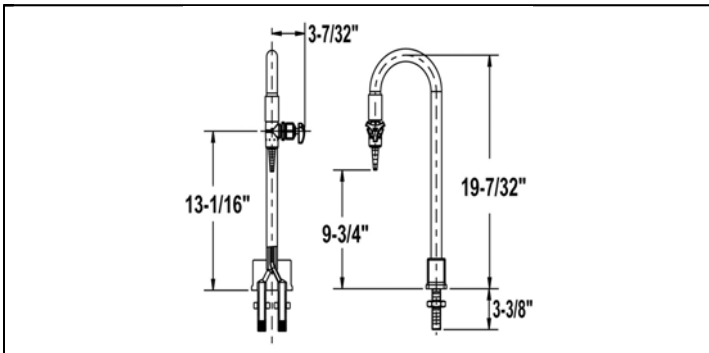
Remote Valve Units (No Valve) - Deck Mount Gooseneck

Part Number	Size	Std Pk	Mstr Ctn	Prod Code	MSRP
Base, Gooseneck & Serrated Tip - For use with Remote Valve					
LF100-BL	LE	1	0	066	286.18



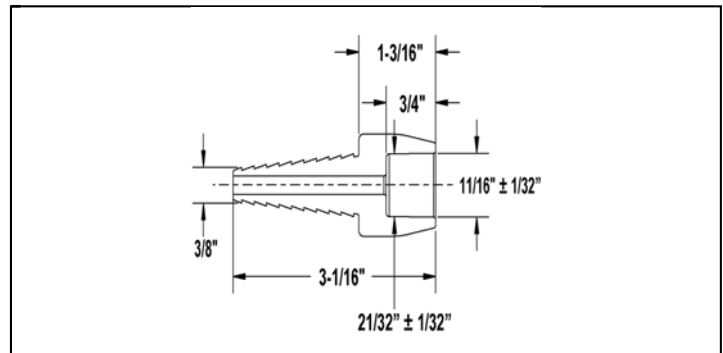
Accessory/ Replacement Gooseneck (3/8")

Part Number	Size	Std Pk	Mstr Ctn	Prod Code	MSRP
LFGN-BL	LF	1	0	066	40.28
LFRGN-BL	LE	1	0	066	56.45



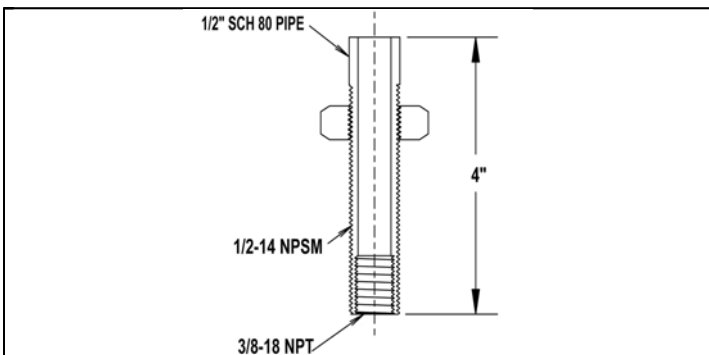
Gooseneck Recirculating Units -Deck Mount Lab Fixture w/Needle Valve

Part Number	Size	Std Pk	Mstr Ctn	Prod Code	MSRP
Base, Gooseneck & Serrated Tip with Needle Valve - Metered Flow					
LFR1000-BLN	LE, PTFE Seal	1	0	066	868.76



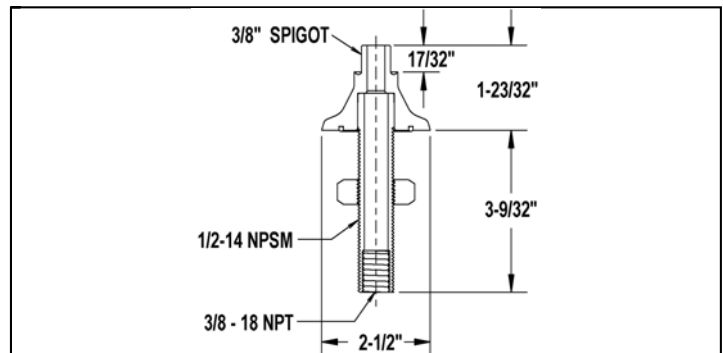
Accessory/ Replacement Straight Serrated Tip Only

Part Number	Size	Std Pk	Mstr Ctn	Prod Code	MSRP
LF400-BL	LE	600	0	066	8.52



Accessory/ Replacement Fixture Connection Nipple

Part Number	Size	Std Pk	Mstr Ctn	Prod Code	MSRP
With Locknut (Included on all fixtures listed above)					
LF500-BL	LE	1	0	066	47.40



Accessory/ Replacement Base Only

Part Number	Size	Std Pk	Mstr Ctn	Prod Code	MSRP
Deck Mount					
LFB-BL	LE	1	0	066	5.96