



## Lab Specialty Product Gauge Guards & Lab Fixtures

### Gauge Guards

#### GAUGE GUARDS, PP

| Size                 | 1/4" Inlet Connection | 1/2" Inlet Connection | Std Pk | Mstr Pk | Prod Code |
|----------------------|-----------------------|-----------------------|--------|---------|-----------|
| <b>FKM Diaphragm</b> |                       |                       |        |         |           |
| No Gauge             | G0003-002P<br>127.91  | G0003-005P<br>127.91  | 1      | 18      | 626       |
| 0-30 in-Hg           | G30V3-002P<br>196.49  | G30V3-005P<br>196.49  | 1      | 18      | 626       |
| 0-15 psi             | G0153-002P<br>186.88  | G0153-005P<br>186.88  | 1      | 18      | 626       |
| 0-30 psi             | G0303-002P<br>186.88  | G0303-005P<br>186.88  | 1      | 18      | 626       |
| 0-60 psi             | G0603-002P<br>186.88  | G0603-005P<br>186.88  | 1      | 18      | 626       |
| 0-100 psi            | G1003-002P<br>186.88  | G1003-005P<br>186.88  | 1      | 18      | 626       |
| 0-160 psi            | G1603-002P<br>186.88  | G1603-005P<br>186.88  | 1      | 18      | 626       |
| 0-200 psi            | G2003-002P<br>186.88  | G2003-005P<br>186.88  | 1      | 18      | 626       |
| 0-300 psi            | G3003-002P<br>186.88  | G3003-005P<br>186.88  | 1      | 18      | 626       |

#### EPDM Diaphragm

|            |                      |                      |   |    |     |
|------------|----------------------|----------------------|---|----|-----|
| No Gauge   | G0002-002P<br>122.85 | G0002-005P<br>122.85 | 1 | 18 | 626 |
| 0-30 in-Hg | G30V2-002P<br>188.61 | G30V2-005P<br>188.61 | 1 | 18 | 626 |
| 0-15 psi   | G0152-002P<br>179.48 | G0152-005P<br>179.48 | 1 | 18 | 626 |
| 0-30 psi   | G0302-002P<br>179.48 | G0302-005P<br>179.48 | 1 | 18 | 626 |
| 0-60 psi   | G0602-002P<br>179.48 | G0602-005P<br>179.48 | 1 | 18 | 626 |
| 0-100 psi  | G1002-002P<br>179.48 | G1002-005P<br>179.48 | 1 | 18 | 626 |
| 0-160 psi  | G1602-002P<br>179.48 | G1602-005P<br>179.48 | 1 | 18 | 626 |
| 0-200 psi  | G2002-002P<br>179.48 | G2002-005P<br>179.48 | 1 | 18 | 626 |
| 0-300 psi  | G3002-002P<br>179.48 | G3002-005P<br>179.48 | 1 | 18 | 626 |

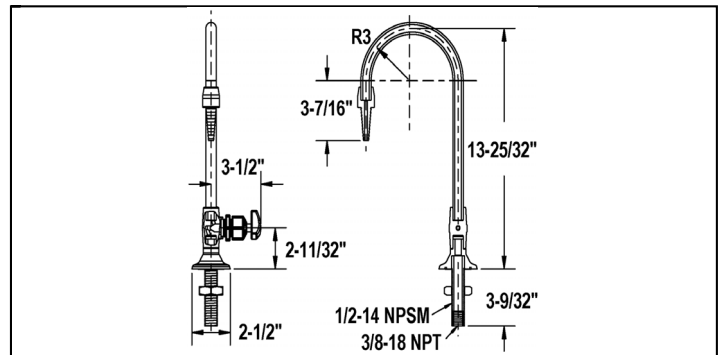
### Lab Fixtures

#### 100% Corrosion Resistance - No Metal Parts

Spears® Lab Fixtures have no metal parts; this provides full resistance to internal or environmental corrosion. These fixtures are compatible with all laboratory service lines. Lab Fixtures are produced from PVC (gray) and CPVC (for hot water), or special Low-Extractable PVC for high purity applications, and are available in a variety of types and configurations.

- Deck Mount – base configuration for horizontal surface mounting.
- Panel Mount – base configuration for vertical surface mounting.
- Standard Gooseneck Units – select all-plastic needle valve unit (no elastomer seals) for metered flow or ball valve unit (choice of EPDM or FKM seals) for direct flow. Unit includes valve, gooseneck with serrated tip, and base with nut for mounting. Select Deck or Panel Mount style.
- Standard Turret Units – direct flow ball valve (choice of EPDM or FKM seals) with serrated tip and base with connecting nipple and nut for mounting. Select Deck or Panel Mount style.
- Remote Valve Units (No Valve) – same as standard units less valve for use with remotely located valve.
- Recirculating Units – Special design provides continuous water motion without dead-leg areas of contamination and potential bacteria build-up. Internal supply tube fully circulates water through the entire fixture when connected to circulating water supply. Unit features gooseneck with terminally mounted all-plastic needle valve and serrated tip (no elastomer seals) for metered flow. Base is Deck Mount only with inlet and outlet connecting nipples with mounting nuts.

**NPT - American National Standard Tapered Pipe Thread • NPSM - American National Standard Straight Thread For Free Fitting Mechanical Joints**



#### Gooseneck Units - Deck Mount Lab Fixture w/Needle Valve

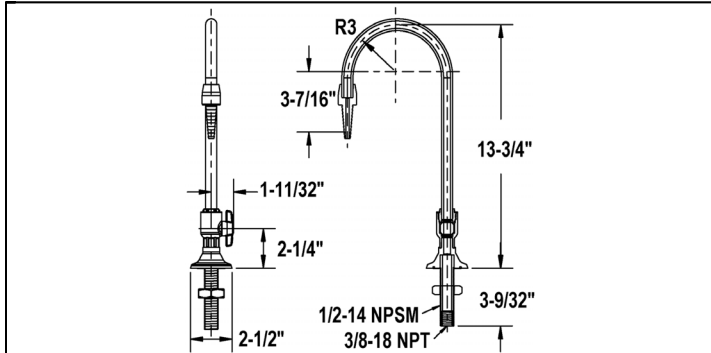
| Part Number | Material | Std Pk | Mstr Ctn | Prod Code | MSRP |
|-------------|----------|--------|----------|-----------|------|
|-------------|----------|--------|----------|-----------|------|

#### Base, Gooseneck & Serrated Tip with Needle Valve-Metered Flow

|            |                 |   |   |     |        |
|------------|-----------------|---|---|-----|--------|
| LF1000-N   | PVC, PTFE Seal  | 1 | 0 | 218 | 199.21 |
| LF1000-CN  | CPVC, PTFE Seal | 1 | 0 | 219 | 248.72 |
| LF1000-BLN | LE, PTFE Seal   | 1 | 0 | 066 | 396.18 |



**Lab Fixtures**

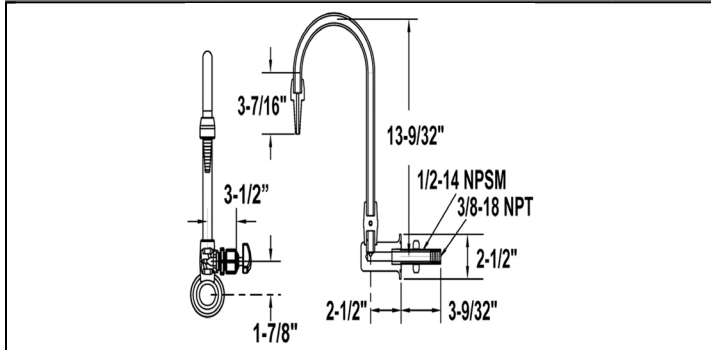


**Gooseneck Units - Deck Mount Lab Fixture w/Ball Valve**

| Part Number | Material | Std Pk | Mstr Ctn | Prod Code | MSRP |
|-------------|----------|--------|----------|-----------|------|
|-------------|----------|--------|----------|-----------|------|

**Base, Gooseneck & Serrated Tip with Ball Valve-Direct Flow**

|           |                 |   |   |     |        |
|-----------|-----------------|---|---|-----|--------|
| LF1002    | PVC, EPDM Seal  | 1 | 0 | 218 | 166.40 |
| LF1003    | PVC, FKM Seal   | 1 | 0 | 218 | 184.88 |
| LF1002-C  | CPVC, EPDM Seal | 1 | 0 | 219 | 208.00 |
| LF1003-C  | CPVC, FKM Seal  | 1 | 0 | 219 | 231.11 |
| LF1002-BL | LE, EPDM Seal   | 1 | 0 | 066 | 331.31 |
| LF1003-BL | LE, FKM Seal    | 1 | 0 | 066 | 368.13 |

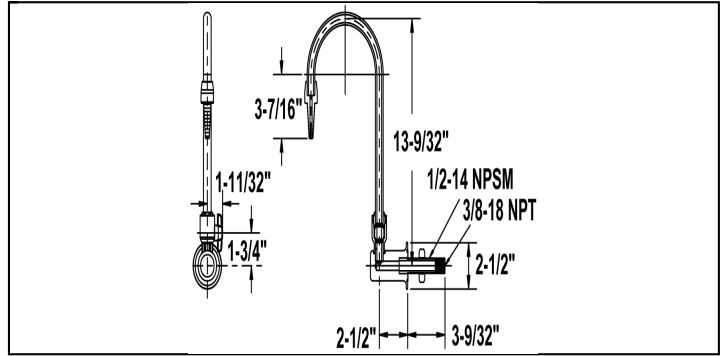


**Gooseneck Units - Panel Mount Lab Fixture w/Needle Valve**

| Part Number | Material | Std Pk | Mstr Ctn | Prod Code | MSRP |
|-------------|----------|--------|----------|-----------|------|
|-------------|----------|--------|----------|-----------|------|

**Base, Gooseneck & Serrated Tip with Needle Valve-Metered Flow**

|           |                 |   |   |     |        |
|-----------|-----------------|---|---|-----|--------|
| LF2000-N  | PVC, PTFE Seal  | 1 | 0 | 218 | 290.33 |
| LF2000-CN | CPVC, PTFE Seal | 1 | 0 | 219 | 362.89 |

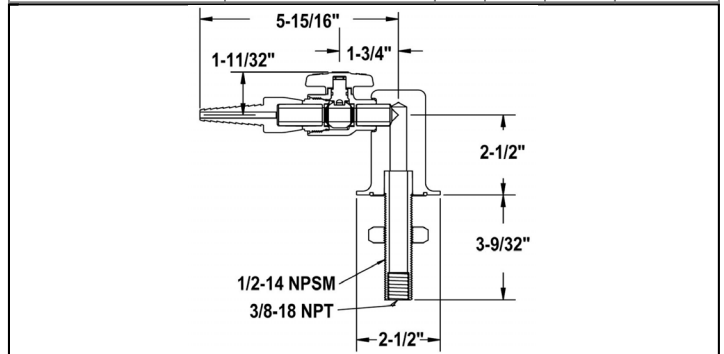


**Standard Gooseneck Units - Panel Mount Lab Fixture -**

| Part Number | Material | Std Pk | Mstr Ctn | Prod Code | MSRP |
|-------------|----------|--------|----------|-----------|------|
|-------------|----------|--------|----------|-----------|------|

**with Ball Valve-Direct Flow**

|          |                 |   |   |     |        |
|----------|-----------------|---|---|-----|--------|
| LF2002   | PVC, EPDM Seal  | 3 | 0 | 218 | 250.28 |
| LF2003   | PVC, FKM Seal   | 3 | 0 | 218 | 278.11 |
| LF2002-C | CPVC, EPDM Seal | 1 | 0 | 219 | 312.87 |
| LF2003-C | CPVC, FKM Seal  | 1 | 0 | 219 | 347.61 |



**Turret Units - Deck Mount Turret Lab Fixtures Base w/Ball Valve**

| Part Number | Material | Std Pk | Mstr Ctn | Prod Code | MSRP |
|-------------|----------|--------|----------|-----------|------|
|-------------|----------|--------|----------|-----------|------|

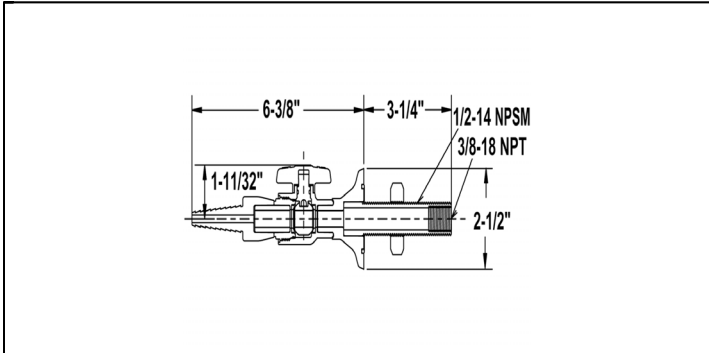
**Turret Base & Serrated Tip with Ball Valve-Direct Flow**

|          |                 |   |   |     |        |
|----------|-----------------|---|---|-----|--------|
| LF4002   | PVC, EPDM Seal  | 1 | 0 | 218 | 211.18 |
| LF4003   | PVC, FKM Seal   | 1 | 0 | 218 | 234.64 |
| LF4002-C | CPVC, EPDM Seal | 1 | 0 | 219 | 263.97 |
| LF4003-C | CPVC, FKM Seal  | 1 | 0 | 219 | 293.31 |



Lab Specialty Product  
**Lab Fixtures**

**Lab Fixtures**

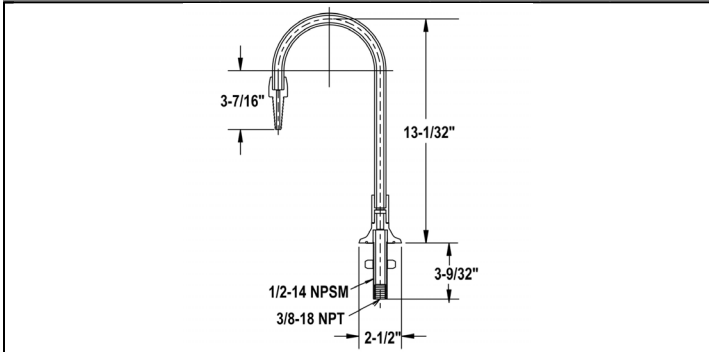


**Turret Units - Panel Mount Turret Lab Fixture Base w/Ball Valve**

| Part Number | Material | Std Pk | Mstr Ctn | Prod Code | MSRP |
|-------------|----------|--------|----------|-----------|------|
|-------------|----------|--------|----------|-----------|------|

**Turret Base, Serrated Tip with Ball Valve-Direct Flow**

|           |                 |   |   |     |        |
|-----------|-----------------|---|---|-----|--------|
| LF3002    | PVC, EPDM Seal  | 1 | 0 | 218 | 163.67 |
| LF3003    | PVC, FKM Seal   | 1 | 0 | 218 | 181.88 |
| LF3002-C  | CPVC, EPDM Seal | 1 | 0 | 219 | 204.62 |
| LF3003-C  | CPVC, FKM Seal  | 1 | 0 | 219 | 227.36 |
| LF3002-BL | LE, EPDM Seal   | 1 | 0 | 066 | 325.89 |
| LF3003-BL | LE, FKM Seal    | 1 | 0 | 066 | 362.15 |

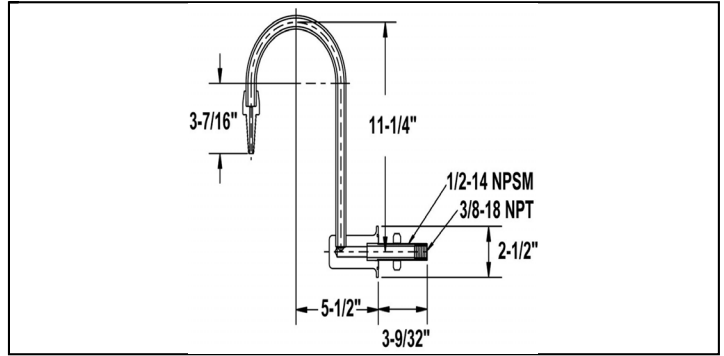


**Remote Valve Units (No Valve) - Deck Mount Gooseneck -**

| Part Number | Material | Std Pk | Mstr Ctn | Prod Code | MSRP |
|-------------|----------|--------|----------|-----------|------|
|-------------|----------|--------|----------|-----------|------|

**Base, Gooseneck & Serrated Tip**

|          |      |   |   |     |        |
|----------|------|---|---|-----|--------|
| LF100    | PVC  | 1 | 0 | 218 | 136.56 |
| LF100-C  | CPVC | 1 | 0 | 219 | 170.71 |
| LF100-BL | LE   | 1 | 0 | 066 | 271.87 |

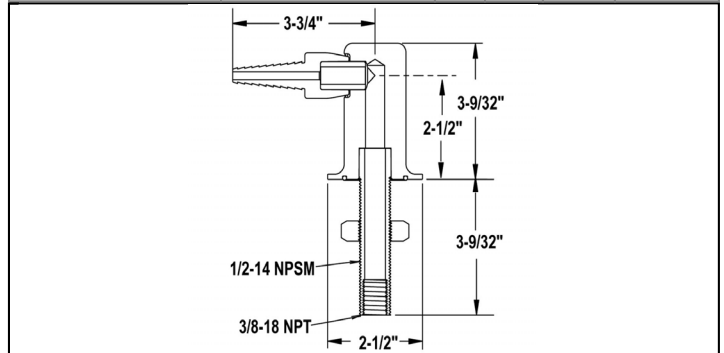


**Remote Valve Units (No Valve) - Panel Mount Gooseneck -**

| Part Number | Material | Std Pk | Mstr Ctn | Prod Code | MSRP |
|-------------|----------|--------|----------|-----------|------|
|-------------|----------|--------|----------|-----------|------|

**Base, Gooseneck & Serrated Tip**

|         |      |   |   |     |        |
|---------|------|---|---|-----|--------|
| LF104   | PVC  | 1 | 0 | 218 | 168.67 |
| LF104-C | CPVC | 1 | 0 | 219 | 210.85 |

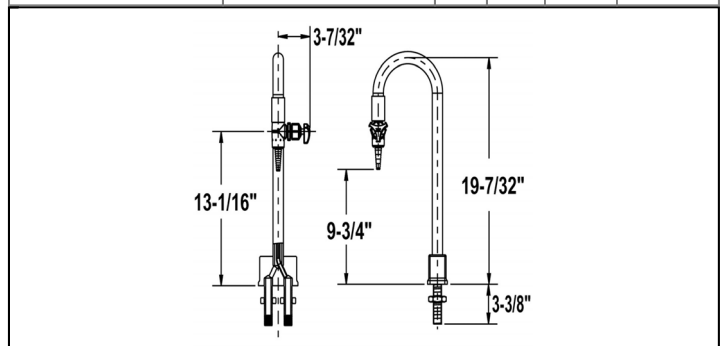


**Remote Valve Units (No Valve) - Deck Mount Turret**

| Part Number | Material | Std Pk | Mstr Ctn | Prod Code | MSRP |
|-------------|----------|--------|----------|-----------|------|
|-------------|----------|--------|----------|-----------|------|

**Turret Base & Serrated Tip**

|         |      |   |   |     |       |
|---------|------|---|---|-----|-------|
| LF300   | PVC  | 1 | 0 | 218 | 45.00 |
| LF300-C | CPVC | 1 | 0 | 219 | 56.25 |



**Gooseneck Recirculating Units -Deck Mount Lab Fixture w/Needle Valve**

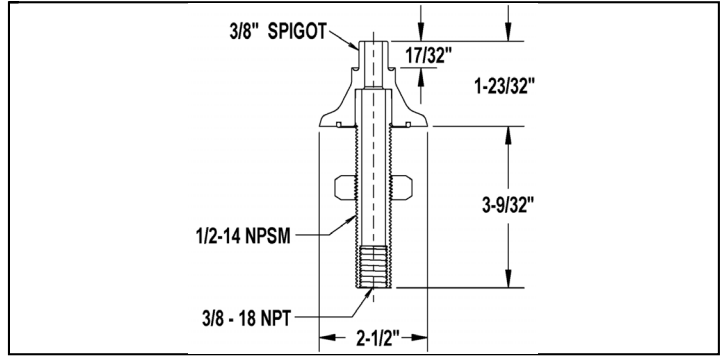
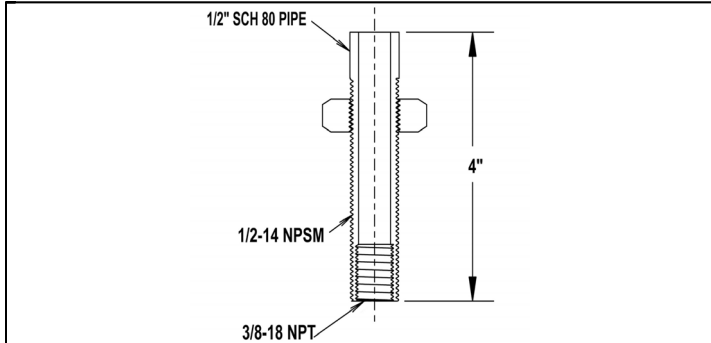
| Part Number | Material | Std Pk | Mstr Ctn | Prod Code | MSRP |
|-------------|----------|--------|----------|-----------|------|
|-------------|----------|--------|----------|-----------|------|

**Base, Gooseneck & Serrated Tip with Needle Valve-Metered Flow**

|             |                 |   |   |     |        |
|-------------|-----------------|---|---|-----|--------|
| LFR1000-N   | PVC, PTFE Seal  | 1 | 0 | 218 | 346.69 |
| LFR1000-CN  | CPVC, PTFE Seal | 1 | 0 | 219 | 518.15 |
| LFR1000-BLN | LE, PTFE Seal   | 1 | 0 | 066 | 825.32 |



**Lab Fixtures**



**Accessory/ Replacement - Fixture Connection Nipple -**

| Part Number | Material | Std Pk | Mstr Ctn | Prod Code | MSRP  |
|-------------|----------|--------|----------|-----------|-------|
| LF500       | PVC      | 1      | 0        | 218       | 22.59 |
| LF500-C     | CPVC     | 1      | 0        | 219       | 28.25 |
| LF500-BL    | LE       | 1      | 0        | 066       | 45.03 |

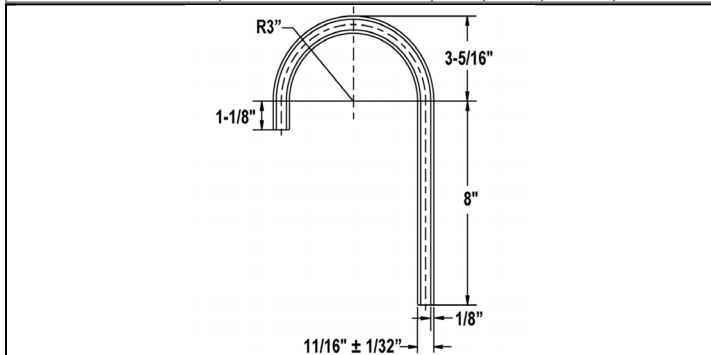
(included on all fixtures above) with Locknut

**Accessory/ Replacement - Base**

| Part Number | Material | Std Pk | Mstr Ctn | Prod Code | MSRP |
|-------------|----------|--------|----------|-----------|------|
|-------------|----------|--------|----------|-----------|------|

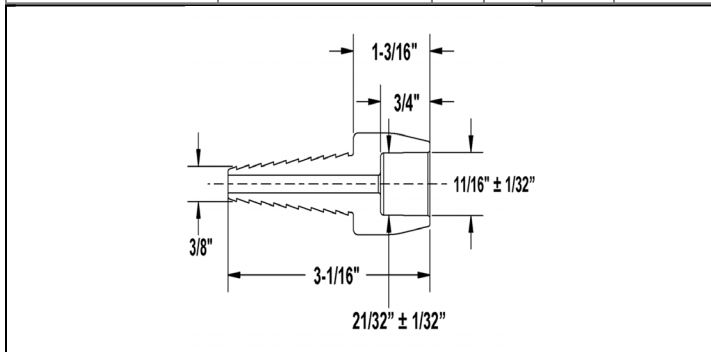
**Deck Mount**

|        |      |   |   |     |      |
|--------|------|---|---|-----|------|
| LFB    | PVC  | 1 | 0 | 218 | 8.28 |
| LFB-C  | CPVC | 1 | 0 | 219 | 9.89 |
| LFB-BL | LE   | 1 | 0 | 066 | 5.66 |



**Accessory/ Replacement - Gooseneck (3/8")**

| Part Number | Material | Std Pk | Mstr Ctn | Prod Code | MSRP  |
|-------------|----------|--------|----------|-----------|-------|
| LFGN        | PVC      | 1      | 0        | 218       | 19.20 |
| LFGN-C      | CPVC     | 1      | 0        | 219       | 24.03 |
| LFGN-BL     | LF       | 1      | 0        | 066       | 38.27 |



**Accessory/ Replacement - Straight Serrated Tip**

| Part Number | Material | Std Pk | Mstr Ctn | Prod Code | MSRP |
|-------------|----------|--------|----------|-----------|------|
| LF400       | PVC      | 600    | 0        | 218       | 4.06 |
| LF400-C     | CPVC     | 600    | 0        | 219       | 5.11 |
| LF400-BL    | LE       | 600    | 0        | 066       | 8.09 |