



Lab Specialty Product
Needle Valves & Gauge Guards

Needle Valves

CPVC Needle Valve

Size	Threaded	Socket	SR Threaded	Std Pk	Mstr Pk	Prod Code
Angle Pattern						
1/4	5691-002C 88.36	5692-002C 88.36	---	1	18	219
3/8	5691-003C 88.36	5692-003C 88.36	---	1	18	219
1/2	5691-005C 93.44	5692-005C 93.44	5691-005CSR 95.83	1	18	219

PP Needle Valve

Size	Threaded	SR Threaded	Std Pk	Mstr Pk	Prod Code
Globe Pattern					
1/4	5591-002P 82.67	---	1	18	219
3/8	5591-003P 82.67	---	1	18	219
1/2	---	5591-005PSR 91.42	1	18	219

Angle Pattern

1/4	5691-002P 82.67	---	1	18	219
3/8	5691-003P 82.67	---	1	18	219
1/2	---	5691-005PSR 91.42	1	18	219

Gauge Guards



Connections use Spears® Patented Special Reinforced (SR) Female Threads on Pressure Inlet (1/4" or 1/2")

Pressure Rating
235 psi @ 73°F
16 BAR @ 22°C

Maximum Service Temperature
PVC = 140°F (60°C)
CPVC = 200°F (93°C)
PP = 180°F (82°C)

Temperature/Pressure De-ratings Apply
Rated for Full Vacuum Service

Gauge Guards are pre-filled with glycerin-water on units with Factory Installed Gauges. "No Gauge" units are to be filled by end user.

PVC GAUGE GUARDS

Size	1/4" Inlet Connection	1/2" Inlet Connection	Std Pk	Mstr Pk	Prod Code
PTFE Diaphragm					
No Gauge	G0004-002 109.29	G0004-005 109.29	1	18	624
0-30 in-Hg	G30V4-002 184.51	G30V4-005 184.51	1	18	624
0-15 psi	G0154-002 174.41	G0154-005 174.41	1	18	624
0-30 psi	G0304-002 174.41	G0304-005 174.41	1	18	624
0-60 psi	G0604-002 174.41	G0604-005 174.41	1	18	624
0-100 psi	G1004-002 174.41	G1004-005 174.41	1	18	624
0-160 psi	G1604-002 174.41	G1604-005 174.41	1	18	624
0-200 psi	G2004-002 174.41	G2004-005 174.41	1	18	624
0-300 psi	G3004-002 174.41	G3004-005 174.41	1	18	624

FKM Diaphragm

No Gauge	G0003-002 109.29	G0003-005 109.29	1	18	624
0-30 in-Hg	G30V3-002 184.51	G30V3-005 184.51	1	18	624
0-15 psi	G0153-002 174.41	G0153-005 174.41	1	18	624
0-30 psi	G0303-002 174.41	G0303-005 174.41	1	18	624
0-60 psi	G0603-002 174.41	G0603-005 174.41	1	18	624

Lab Specialty Product
Gauge Guards



Gauge Guards

PVC GAUGE GUARDS (continued)

Size	1/4" Inlet Connection	1/2" Inlet Connection	Std Pk	Mstr Pk	Prod Code
FKM Diaphragm					
0-100 psi	G1003-002 174.41	G1003-005 174.41	1	18	624
0-160 psi	G1603-002 174.41	G1603-005 174.41	1	18	624
0-200 psi	G2003-002 174.41	G2003-005 174.41	1	18	624
0-300 psi	G3003-002 174.41	G3003-005 174.41	1	18	624

EPDM Diaphragm

No Gauge	G0002-002 104.87	G0002-005 104.87	1	18	624
0-30 in-Hg	G30V2-002 177.09	G30V2-005 177.09	1	18	624
0-15 psi	G0152-002 167.49	G0152-005 167.49	1	18	624
0-30 psi	G0302-002 167.49	G0302-005 167.49	1	18	624
0-60 psi	G0602-002 167.49	G0602-005 167.49	1	18	624
0-100 psi	G1002-002 167.49	G1002-005 167.49	1	18	624
0-160 psi	G1602-002 167.49	G1602-005 167.49	1	18	624
0-200 psi	G2002-002 167.49	G2002-005 167.49	1	18	624
0-300 psi	G3002-002 167.49	G3002-005 167.49	1	18	624

GAUGE GUARDS, CPVC

Size	1/4" Inlet Connection	1/2" Inlet Connection	Std Pk	Mstr Pk	Prod Code
PTFE Diaphragm					
No Gauge	G0004-002C 142.08	G0004-005C 142.08	1	18	625
0-30 in-Hg	G30V4-002C 239.87	G30V4-005C 239.87	1	18	625
0-15 psi	G0154-002C 226.77	G0154-005C 226.77	1	18	625
0-30 psi	G0304-002C 226.77	G0304-005C 226.77	1	18	625
0-60 psi	G0604-002C 226.77	G0604-005C 226.77	1	18	625
0-100 psi	G1004-002C 226.77	G1004-005C 226.77	1	18	625
0-160 psi	G1604-002C 226.77	G1604-005C 226.77	1	18	625
0-200 psi	G2004-002C 226.77	G2004-005C 226.77	1	18	625
0-300 psi	G3004-002C 226.77	G3004-005C 226.77	1	18	625

FKM Diaphragm

No Gauge	G0003-002C 142.08	G0003-005C 142.08	1	18	625
0-30 in-Hg	G30V3-002C 239.87	G30V3-005C 239.87	1	18	625

GAUGE GUARDS, CPVC (continued)

Size	1/4" Inlet Connection	1/2" Inlet Connection	Std Pk	Mstr Pk	Prod Code
FKM Diaphragm					
0-15 psi	G0153-002C 226.77	G0153-005C 226.77	1	18	625
0-30 psi	G0303-002C 226.77	G0303-005C 226.77	1	18	625
0-60 psi	G0603-002C 226.77	G0603-005C 226.77	1	18	625
0-100 psi	G1003-002C 226.77	G1003-005C 226.77	1	18	625
0-160 psi	G1603-002C 226.77	G1603-005C 226.77	1	18	625
0-200 psi	G2003-002C 226.77	G2003-005C 226.77	1	18	625
0-300 psi	G3003-002C 226.77	G3003-005C 226.77	1	18	625

EPDM Diaphragm

No Gauge	G0002-002C 136.42	G0002-005C 136.42	1	18	625
0-30 in-Hg	G30V2-002C 230.25	G30V2-005C 230.25	1	18	625
0-15 psi	G0152-002C 217.80	G0152-005C 217.80	1	18	625
0-30 psi	G0302-002C 217.80	G0302-005C 217.80	1	18	625
0-60 psi	G0602-002C 217.80	G0602-005C 217.80	1	18	625
0-100 psi	G1002-002C 217.80	G1002-005C 217.80	1	18	625
0-160 psi	G1602-002C 217.80	G1602-005C 217.80	1	18	625
0-200 psi	G2002-002C 217.80	G2002-005C 217.80	1	18	625
0-300 psi	G3002-002C 217.80	G3002-005C 217.80	1	18	625

GAUGE GUARDS, PP

Size	1/4" Inlet Connection	1/2" Inlet Connection	Std Pk	Mstr Pk	Prod Code
PTFE Diaphragm					
No Gauge	G0004-002P 127.91	G0004-005P 127.91	1	18	626
0-30 in-Hg	G30V4-002P 196.49	G30V4-005P 196.49	1	18	626
0-15 psi	G0154-002P 186.88	G0154-005P 186.88	1	18	626
0-30 psi	G0304-002P 186.88	G0304-005P 186.88	1	18	626
0-60 psi	G0604-002P 186.88	G0604-005P 186.88	1	18	626
0-100 psi	G1004-002P 186.88	G1004-005P 186.88	1	18	626
0-160 psi	G1604-002P 186.88	G1604-005P 186.88	1	18	626
0-200 psi	G2004-002P 186.88	G2004-005P 186.88	1	18	626
0-300 psi	G3004-002P 186.88	G3004-005P 186.88	1	18	626



Lab Specialty Product
Gauge Guards & Lab Fixtures

Gauge Guards

GAUGE GUARDS, PP

Size	1/4" Inlet Connection	1/2" Inlet Connection	Std Pk	Mstr Pk	Prod Code
FKM Diaphragm					
No Gauge	G0003-002P 127.91	G0003-005P 127.91	1	18	626
0-30 in-Hg	G30V3-002P 196.49	G30V3-005P 196.49	1	18	626
0-15 psi	G0153-002P 186.88	G0153-005P 186.88	1	18	626
0-30 psi	G0303-002P 186.88	G0303-005P 186.88	1	18	626
0-60 psi	G0603-002P 186.88	G0603-005P 186.88	1	18	626
0-100 psi	G1003-002P 186.88	G1003-005P 186.88	1	18	626
0-160 psi	G1603-002P 186.88	G1603-005P 186.88	1	18	626
0-200 psi	G2003-002P 186.88	G2003-005P 186.88	1	18	626
0-300 psi	G3003-002P 186.88	G3003-005P 186.88	1	18	626

EPDM Diaphragm

No Gauge	G0002-002P 122.85	G0002-005P 122.85	1	18	626
0-30 in-Hg	G30V2-002P 188.61	G30V2-005P 188.61	1	18	626
0-15 psi	G0152-002P 179.48	G0152-005P 179.48	1	18	626
0-30 psi	G0302-002P 179.48	G0302-005P 179.48	1	18	626
0-60 psi	G0602-002P 179.48	G0602-005P 179.48	1	18	626
0-100 psi	G1002-002P 179.48	G1002-005P 179.48	1	18	626
0-160 psi	G1602-002P 179.48	G1602-005P 179.48	1	18	626
0-200 psi	G2002-002P 179.48	G2002-005P 179.48	1	18	626
0-300 psi	G3002-002P 179.48	G3002-005P 179.48	1	18	626

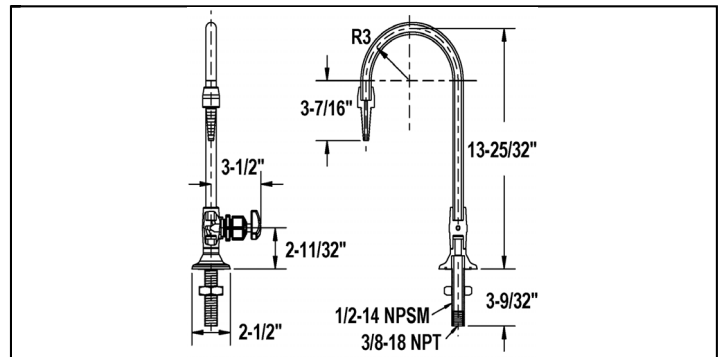
Lab Fixtures

100% Corrosion Resistance - No Metal Parts

Spears® Lab Fixtures have no metal parts; this provides full resistance to internal or environmental corrosion. These fixtures are compatible with all laboratory service lines. Lab Fixtures are produced from PVC (gray) and CPVC (for hot water), or special Low-Extractable PVC for high purity applications, and are available in a variety of types and configurations.

- Deck Mount – base configuration for horizontal surface mounting.
- Panel Mount – base configuration for vertical surface mounting.
- Standard Gooseneck Units – select all-plastic needle valve unit (no elastomer seals) for metered flow or ball valve unit (choice of EPDM or FKM seals) for direct flow. Unit includes valve, gooseneck with serrated tip, and base with nut for mounting. Select Deck or Panel Mount style.
- Standard Turret Units – direct flow ball valve (choice of EPDM or FKM seals) with serrated tip and base with connecting nipple and nut for mounting. Select Deck or Panel Mount style.
- Remote Valve Units (No Valve) – same as standard units less valve for use with remotely located valve.
- Recirculating Units – Special design provides continuous water motion without dead-leg areas of contamination and potential bacteria build-up. Internal supply tube fully circulates water through the entire fixture when connected to circulating water supply. Unit features gooseneck with terminally mounted all-plastic needle valve and serrated tip (no elastomer seals) for metered flow. Base is Deck Mount only with inlet and outlet connecting nipples with mounting nuts.

NPT - American National Standard Tapered Pipe Thread • NPSM - American National Standard Straight Thread For Free Fitting Mechanical Joints



Gooseneck Units - Deck Mount Lab Fixture w/Needle Valve

Part Number	Material	Std Pk	Mstr Ctn	Prod Code	MSRP
-------------	----------	--------	----------	-----------	------

Base, Gooseneck & Serrated Tip with Needle Valve-Metered Flow

LF1000-N	PVC, PTFE Seal	1	0	218	199.21
LF1000-CN	CPVC, PTFE Seal	1	0	219	248.72
LF1000-BLN	LE, PTFE Seal	1	0	066	396.18