



## Irrigation & Turf Product Turf Swivel Joints

### Turf Swivel Kits

#### 3-Elbow Swivel Joint Kits

Complete kit for field assembly with any length of user supplied pipe. Kit includes upper and lower Elbow assemblies with choice of the following Inlet & Outlet Options:

**Inlet Code:**  
1 = Socket  
2 = Spigot  
3 = Mipt

**Outlet Code:**  
1= Socket  
2= Mipt  
4= Fipt

**Outlet Style**

To complete part no., specify:  
Inlet style: **1, 2 or 3**  
Outlet style: **1, 2 or 4**  
Example: To order a 1/2" Turf Swivel Joint Kit with a Spigot inlet and an FIPT outlet, the part number is: ST524-100

#### Turf Swivel Joint Kit

Part Number	Size	Std Pk	Mstr Ctn	Prod Code	MSRP
<b>3-Elbow Swivel Joint Kits</b>					
ST5__-100	<b>1/2</b>	10	0	030	20.64
ST7__-100	<b>3/4</b>	10	0	030	23.31
ST9__-100	<b>1</b>	10	0	030	27.13

#### 4-Elbow Swivel Joint Kits

Complete kit for field assembly with any length of user supplied pipe. Kit includes upper and lower Elbow assemblies with choice of the following Inlet & Outlet Options:

**Inlet Code:**  
1 = Socket  
2 = Spigot  
3 = Mipt

**Outlet Code:**  
1= Socket  
2= Mipt  
4= Fipt

**Outlet Style**

To complete part no., specify:  
Inlet style: **1, 2 or 3**  
Outlet style: **1, 2 or 4**  
Example: To order a 1/2" Turf Swivel Joint Kit with a Spigot inlet and an FIPT outlet, the part number is: ST524-400

#### 4-Elbow Swivel Joint Kits

ST5__-400	<b>1/2</b>	10	0	030	21.92
ST7__-400	<b>3/4</b>	10	0	030	24.61
ST9__-400	<b>1</b>	10	0	030	29.69

### Turf Swivel Joints

Complete Factory Assembly.  
Available in sizes 1/2", 3/4"

and 1" with the following Lay Length Options:

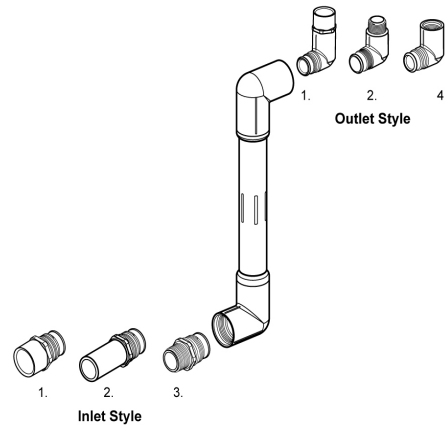
Choice of the following Inlet & Outlet Options:

Inlet Code	Outlet Code
1 = Socket	1 = Socket
2 = Spigot	2 = Mipt
3 = Mipt	4 = Fipt

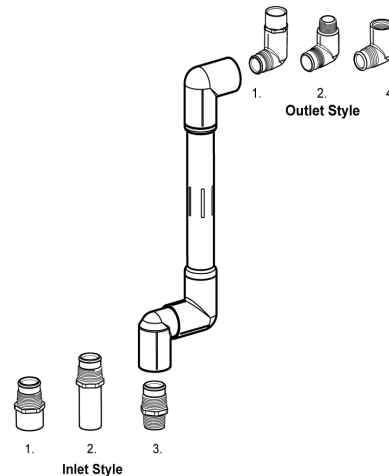
8" = 8L  
12" = 12L  
15" = 15L  
19" = 19L

To complete part no., specify:  
Inlet style: **1, 2, or 3**  
Outlet style: **1, 2, or 4**  
Example: To order a 1/2" 3-Elbow Turf Swivel Joint with an 8" lay length, a Spigot inlet and an FIPT outlet, the part number is: ST524-208

#### 3-Elbow Turf Swivel Joint



#### 4-Elbow Turf Swivel Joint



#### Turf Swivel Joints

Part Number	Size	Std Pk	Mstr Ctn	Prod Code	MSRP
<b>3-Elbow Turf Swivel Joints</b>					
ST5__-208	<b>1/2X8L</b>	10	0	030	32.36



**Turf Swivel Joints**

**Turf Swivel Joints (continued)**

Part Number	Size	Std Pk	Mstr Ctn	Prod Code	MSRP
<b>3-ElI Turf Swivel Joints</b>					
ST5_-212	1/2X12L	10	0	030	32.75
ST5_-215	1/2X15L	10	0	030	33.75
ST5_-219	1/2X19L	10	0	030	34.83
ST7_-208	3/4X8L	10	0	030	34.88
ST7_-212	3/4X12L	10	0	030	36.54
ST7_-215	3/4X15L	10	0	030	37.24
ST7_-219	3/4X19L	10	0	030	38.13
ST9_-208	1X8L	10	0	030	38.41
ST9_-212	1X12L	10	0	030	39.62
ST9_-215	1X15L	10	0	030	40.65
ST9_-219	1X19L	10	0	030	42.05
ST57_-208	1/2X3/4X8L	10	0	030	32.36
ST57_-212	1/2X3/4X12L	10	0	030	32.75
ST57_-215	1/2X3/4X15L	10	0	030	33.75
ST57_-219	1/2X3/4X19L	10	0	030	34.83
ST75_-208	3/4X1/2X8L	10	0	030	34.88
ST75_-212	3/4X1/2X12L	10	0	030	36.54
ST75_-215	3/4X1/2X15L	10	0	030	37.24
ST75_-219	3/4X1/2X19L	10	0	030	37.24

**4-ElI Turf Swivel Joints**

ST5_-408	1/2X8L	10	0	030	33.05
ST5_-412	1/2X12L	10	0	030	33.44
ST5_-415	1/2X15L	10	0	030	34.37
ST5_-419	1/2X19L	10	0	030	35.38
ST7_-408	3/4X8L	10	0	030	35.58
ST7_-412	3/4X12L	10	0	030	37.15
ST7_-415	3/4X15L	10	0	030	37.86
ST7_-419	3/4X19L	10	0	030	38.67
ST9_-408	1X8L	10	0	030	40.41
ST9_-412	1X12L	10	0	030	41.53
ST9_-415	1X15L	10	0	030	42.54
ST9_-419	1X19L	10	0	030	43.86
ST57_-408	1/2X3/4X8L	10	0	030	33.05
ST57_-412	1/2X3/4X12L	10	0	030	33.44
ST57_-415	1/2X3/4X15L	10	0	030	34.37
ST57_-419	1/2X3/4X19L	10	0	030	35.38
ST75_-408	3/4X1/2X8L	10	0	030	37.24
ST75_-412	3/4X1/2X12L	10	0	030	38.67
ST75_-415	3/4X1/2X15L	10	0	030	38.67
ST75_-419	3/4X1/2X19L	10	0	030	38.67

**Compact Turf Swivel Joints**

Factory Assembled  
 All Inlets are Swivel Male Threads  
 Three Outlet Choices:

Series ST11 & ST41 = Female Pipe Threads

Series ST12 & ST42 = Swivel Male Pipe Threads

Series ST13 & ST43 = Male Pipe Threads

Also available in 1" MBSP inlet x 1" MBSP outlet. Contact Spears® for MSRP and availability.

Part Number	Size	Std Pk	Mstr Ctn	Prod Code	MSRP
-------------	------	--------	----------	-----------	------

**3-ElI Compact Turf Swivel Joints**

**Swivel Mipt x Fipt**



ST1105	1/2	10	0	030	20.64
ST1107	3/4	10	0	030	23.31
ST1110	1	10	0	030	27.14

**3-ElI Compact Turf Swivel Joints**

**Swivel Mipt x Swivel Mipt**



ST1205	1/2	10	0	030	20.64
ST1207	3/4	10	0	030	23.31
ST1210	1	10	0	030	27.14

**3-ElI Compact Turf Swivel Joints**

**Swivel Mipt x Mipt**



ST1305	1/2	10	0	030	20.64
ST1307	3/4	10	0	030	23.31
ST1310	1	10	0	030	27.14

**4-ElI Compact Turf Swivel Joints**

**Swivel Mipt x Fipt**



ST4105	1/2	10	0	030	21.92
ST4107	3/4	10	0	030	24.61