



Turf Swivel Kits

3-Elbow Swivel Joint Kits

Complete kit for field assembly with any length of user supplied pipe. Kit includes upper and lower Elbow assemblies with choice of the following Inlet & Outlet Options:

Inlet Code:
 1 = Socket
 2 = Spigot
 3 = Mipt

Outlet Code:
 1= Socket
 2= Mipt
 4 = Fipt

Outlet Style

To complete part no., specify:
 Inlet style: 1, 2 or 3
 Outlet style: 1, 2 or 4

Example: To order a 1/2" Turf Swivel Joint Kit with a Spigot inlet and an FIPT outlet, the part number is: ST524-100

Turf Swivel Joint Kit

Part Number	Size	Std Pk	Mstr Ctn	Prod Code	MSRP
3-Elbow Swivel Joint Kits					
ST5__-100	1/2	10	0	030	21.73
ST7__-100	3/4	10	0	030	24.54
ST9__-100	1	10	0	030	28.56

4-Elbow Swivel Joint Kits

Complete kit for field assembly with any length of user supplied pipe. Kit includes upper and lower Elbow assemblies with choice of the following Inlet & Outlet Options:

Inlet Code:
 1 = Socket
 2 = Spigot
 3 = Mipt

Outlet Code:
 1= Socket
 2= Mipt
 4 = Fipt

Outlet Style

To complete part no., specify:
 Inlet style: 1, 2 or 3
 Outlet style: 1, 2 or 4

Example: To order a 1/2" Turf Swivel Joint Kit with a Spigot inlet and an FIPT outlet, the part number is: ST524-400

4-Elbow Swivel Joint Kits

ST5__-400	1/2	10	0	030	23.07
ST7__-400	3/4	10	0	030	25.91
ST9__-400	1	10	0	030	31.25

Turf Swivel Joints

Complete Factory Assembly.
 Available in sizes 1/2", 3/4"
 and 1" with the following Lay Length
 Options:

Choice of the following Inlet & Outlet
 Options:

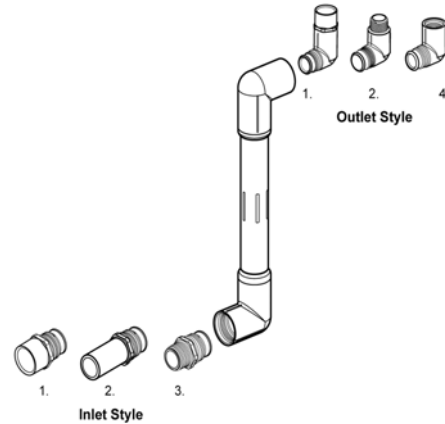
Inlet Code	Outlet Code
1 = Socket	1 = Socket
2 = Spigot	2 = Mipt
3 = Mipt	4 = Fipt

8" = 8L
 12" = 12L
 15" = 15L
 19" = 19L

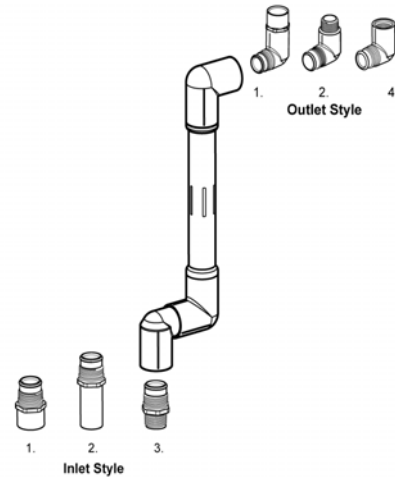
To complete part no., specify:
 Inlet style: 1, 2, or 3
 Outlet style: 1, 2, or 4

Example: To order a 1/2" 3-Elbow Turf Swivel Joint with an 8" lay length, a Spigot inlet and an FIPT outlet, the part number is: ST524-208

3-Elbow Turf Swivel Joint



4-Elbow Turf Swivel Joint



Turf Swivel Joints

Part Number	Size	Std Pk	Mstr Ctn	Prod Code	MSRP
3-Elbow Turf Swivel Joints					
ST5__-208	1/2X8L	10	0	030	34.06