



Turf Swivel Joints



PRODUCT

Contact Spears® for any Information not found.



Turf Swivel Kits

3-Elbow Swivel Joint Kits

Complete kit for field assembly with any length of user supplied pipe. Kit includes upper and lower Elbow assemblies with choice of the following Inlet & Outlet Options:

Inlet Code:
 1 = Socket
 2 = Spigot
 3 = Mipt

Outlet Code:
 1= Socket
 2= Mipt
 4 = Fipt

Outlet Style

To complete part no., specify:
 Inlet style: 1, 2 or 3
 Outlet style: 1, 2 or 4

Example: To order a 1/2" Turf Swivel Joint Kit with a Spigot inlet and an FIPT outlet, the part number is: ST524-100

Turf Swivel Joint Kit

Part Number	Size	Std Pk	Mstr Ctn	Prod Code	MSRP
3-Elbow Swivel Joint Kits					
ST5__-100	1/2	10	0	030	21.73
ST7__-100	3/4	10	0	030	24.54
ST9__-100	1	10	0	030	28.56

4-Elbow Swivel Joint Kits

Complete kit for field assembly with any length of user supplied pipe. Kit includes upper and lower Elbow assemblies with choice of the following Inlet & Outlet Options:

Inlet Code:
 1 = Socket
 2 = Spigot
 3 = Mipt

Outlet Code:
 1= Socket
 2= Mipt
 4 = Fipt

Outlet Style

To complete part no., specify:
 Inlet style: 1, 2 or 3
 Outlet style: 1, 2 or 4

Example: To order a 1/2" Turf Swivel Joint Kit with a Spigot inlet and an FIPT outlet, the part number is: ST524-400

4-Elbow Swivel Joint Kits

ST5__-400	1/2	10	0	030	23.07
ST7__-400	3/4	10	0	030	25.91
ST9__-400	1	10	0	030	31.25

Turf Swivel Joints

Complete Factory Assembly.
 Available in sizes 1/2", 3/4"
 and 1" with the following Lay Length
 Options:

Choice of the following Inlet & Outlet
 Options:

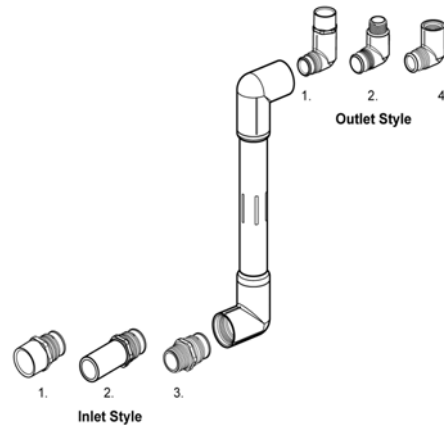
- 8" = 8L
- 12" = 12L
- 15" = 15L
- 19" = 19L

- | | |
|-------------------|--------------------|
| Inlet Code | Outlet Code |
| 1 = Socket | 1 = Socket |
| 2 = Spigot | 2 = Mipt |
| 3 = Mipt | 4 = Fipt |

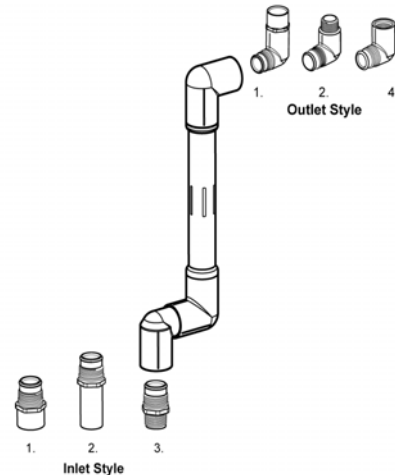
To complete part no., specify:
 Inlet style: 1, 2, or 3
 Outlet style: 1, 2, or 4

Example: To order a 1/2" 3-Elbow Turf Swivel Joint with an 8" lay length, a Spigot inlet and an FIPT outlet, the part number is: ST524-208

3-Elbow Turf Swivel Joint



4-Elbow Turf Swivel Joint



Turf Swivel Joints

Part Number	Size	Std Pk	Mstr Ctn	Prod Code	MSRP
3-Elbow Turf Swivel Joints					
ST5__-208	1/2X8L	10	0	030	34.06



Irrigation & Turf Product
Turf Swivel Joints

Turf Swivel Joints

Turf Swivel Joints (continued)

Part Number	Size	Std Pk	Mstr Ctn	Prod Code	MSRP
3-ElI Turf Swivel Joints					
ST5_-212	1/2X12L	10	0	030	34.47
ST5_-215	1/2X15L	10	0	030	35.53
ST5_-219	1/2X19L	10	0	030	36.66
ST7_-208	3/4X8L	10	0	030	36.72
ST7_-212	3/4X12L	10	0	030	38.46
ST7_-215	3/4X15L	10	0	030	39.20
ST7_-219	3/4X19L	10	0	030	40.14
ST9_-208	1X8L	10	0	030	40.43
ST9_-212	1X12L	10	0	030	41.71
ST9_-215	1X15L	10	0	030	42.79
ST9_-219	1X19L	10	0	030	44.26
ST57_-208	1/2X3/4X8L	10	0	030	34.06
ST57_-212	1/2X3/4X12L	10	0	030	34.47
ST57_-215	1/2X3/4X15L	10	0	030	35.53
ST57_-219	1/2X3/4X19L	10	0	030	36.66
ST75_-208	3/4X1/2X8L	10	0	030	36.72
ST75_-212	3/4X1/2X12L	10	0	030	38.46
ST75_-215	3/4X1/2X15L	10	0	030	39.20
ST75_-219	3/4X1/2X19L	10	0	030	39.20

4-ElI Turf Swivel Joints

ST5_-408	1/2X8L	10	0	030	34.79
ST5_-412	1/2X12L	10	0	030	35.20
ST5_-415	1/2X15L	10	0	030	36.18
ST5_-419	1/2X19L	10	0	030	37.24
ST7_-408	3/4X8L	10	0	030	37.45
ST7_-412	3/4X12L	10	0	030	39.11
ST7_-415	3/4X15L	10	0	030	39.85
ST7_-419	3/4X19L	10	0	030	40.71
ST9_-408	1X8L	10	0	030	42.54
ST9_-412	1X12L	10	0	030	43.72
ST9_-415	1X15L	10	0	030	44.78
ST9_-419	1X19L	10	0	030	46.17
ST57_-408	1/2X3/4X8L	10	0	030	34.79
ST57_-412	1/2X3/4X12L	10	0	030	35.20
ST57_-415	1/2X3/4X15L	10	0	030	36.18
ST57_-419	1/2X3/4X19L	10	0	030	37.24
ST75_-408	3/4X1/2X8L	10	0	030	39.20
ST75_-412	3/4X1/2X12L	10	0	030	40.71
ST75_-415	3/4X1/2X15L	10	0	030	40.71
ST75_-419	3/4X1/2X19L	10	0	030	40.71

Compact Turf Swivel Joints

Factory Assembled
 All Inlets are Swivel Male Threads
 Three Outlet Choices:

Series ST11 & ST41 = Female Pipe Threads

Series ST12 & ST42 = Swivel Male Pipe Threads

Series ST13 & ST43 = Male Pipe Threads

Also available in 1" MBSP inlet x 1" MBSP outlet. Contact Spears® for MSRP and availability.

Part Number	Size	Std Pk	Mstr Ctn	Prod Code	MSRP
-------------	------	-----------	-------------	--------------	------

3-ElI Compact Turf Swivel Joints

Swivel Mipt x Fipt



ST1105	1/2	10	0	030	21.73
ST1107	3/4	10	0	030	24.54
ST1110	1	10	0	030	28.57

3-ElI Compact Turf Swivel Joints

Swivel Mipt x Swivel Mipt



ST1205	1/2	10	0	030	21.73
ST1207	3/4	10	0	030	24.54
ST1210	1	10	0	030	28.57

3-ElI Compact Turf Swivel Joints

Swivel Mipt x Mipt



ST1305	1/2	10	0	030	21.73
ST1307	3/4	10	0	030	24.54
ST1310	1	10	0	030	28.57

4-ElI Compact Turf Swivel Joints

Swivel Mipt x Fipt



ST4105	1/2	10	0	030	23.07
ST4107	3/4	10	0	030	25.91

Irrigation & Turf Product
Turf Swivel Joints



Compact Turf Swivel Joints

Part Number	Size	Std Pk	Mstr Ctn	Prod Code	MSRP
-------------	------	--------	----------	-----------	------

4-El Compact Turf Swivel Joints (continued)

Swivel Mipt x Fipt

ST4110	1	10	0	030	31.25
--------	---	----	---	-----	-------

4-El Compact Turf Swivel Joints

Swivel Mipt x Swivel Mipt

ST4205	1/2	10	0	030	23.07
ST4207	3/4	10	0	030	25.91
ST4210	1	10	0	030	31.25

4-El Compact Turf Swivel Joints

Swivel Mipt x Mipt

ST4305	1/2	10	0	030	23.07
ST4307	3/4	10	0	030	25.91
ST4310	1	10	0	030	31.25

Pressure Regulated Swivel Joints

3-El Pressure Regulated Swivel Joint 4-El Pressure Regulated Swivel Joint



Pressure Regulated Turf Swivel Joints

Part Number	Size	Std Pk	Mstr Ctn	Prod Code	MSRP
-------------	------	--------	----------	-----------	------

3-El - Mipt x Mipt

ST73PR-208	3/4X8L	10	0	030	68.01
ST73PR-212	3/4X12L	10	0	030	69.86
ST73PR-215	3/4X15L	10	0	030	70.67
ST73PR-219	3/4X19L	10	0	030	71.62
ST93PR-208	1X8L	10	0	030	73.53
ST93PR-212	1X12L	10	0	030	74.87
ST93PR-215	1X15L	10	0	030	76.03

Pressure Regulated Turf Swivel Joints (continued)

Part Number	Size	Std Pk	Mstr Ctn	Prod Code	MSRP
-------------	------	--------	----------	-----------	------

3-El - Mipt x Mipt

ST93PR-219	1X19L	10	0	030	77.59
------------	-------	----	---	-----	-------

4-El - Mipt x Mipt

ST73PR-408	3/4X8L	10	0	030	71.78
ST73PR-412	3/4X12L	10	0	030	73.65
ST73PR-415	3/4X15L	10	0	030	74.44
ST73PR-419	3/4X19L	10	0	030	75.41
ST93PR-408	1X8L	10	0	030	79.56
ST93PR-412	1X12L	10	0	030	80.88
ST93PR-415	1X15L	10	0	030	82.05
ST93PR-419	1X19L	10	0	030	83.59

Complete Factory Assembly. Available in sizes 3/4" and 1" with Mipt Inlet x Mipt Outlet and the following Lay Length Options:

8"	=	8L
12"	=	12L
15"	=	15L
19"	=	19L

Maintains constant, uniform pressure to sprinkler at the following pre-set nominal values:

45 psi for 3/4" Turf Swivel Joint

70 psi for 1" Turf Swivel Joint

Not recommended for use in systems with pressures equal to or less than regulated pressures above. Pressure Rating @ 73°F (23°C), Water 315 psi

Turf Swivel Joint Replacement Parts

Turf Swivel Joint Coupling

FAT x FAT

ST430-007	3/4	1	350	030	7.17
ST430-010	1	1	240	030	9.53

Turf Swivel Joint 90° Elbow

FAT x FAT

ST1101-005	1/2	1	300	030	4.15
ST1101-007	3/4	1	250	030	4.79
ST1101-101	3/4X1/2	1	270	030	4.37
ST1101-010	1	1	175	030	7.88



Irrigation & Turf Product
Turf Swivel Joints

Turf Swivel Joint Replacement Parts

Part Number	Size	Std Pk	Mstr Ctn	Prod Code	MSRP
-------------	------	--------	----------	-----------	------

Turf Swivel Joint 90° Elbow

FAT x SOC



ST1102-005	1/2	1	350	030	4.15
ST1102-007	3/4	1	250	030	4.79
ST1102-010	1	1	160	030	7.88

Turf Swivel Joint 90° Street Ell

MAT x FAT



ST425-005	1/2	1	200	030	6.03
ST425-007	3/4	1	300	030	6.44
ST425-010	1	1	200	030	8.96

Turf Swivel Joint Socket Inlet #1

Socket x MAT



ST436-005	1/2	1	350	030	3.86
ST436-007	3/4	1	50	030	4.27
ST436-010	1	1	100	030	8.02

Turf Swivel Joint Spigot Inlet #2

Spigot x MAT



ST105-035	1/2	1	350	030	4.13
ST107-035	3/4	1	50	030	4.61
ST110-040	1	1	140	030	8.40

Turf Swivel Joint Male Thread Inlet #3

Mipt x MAT



ST205-020	1/2	1	25	030	3.64
ST207-020	3/4	1	350	030	4.27
ST210-020	1	1	150	030	4.64

Turf Swivel Joint Socket Outlet #1

MAT x Socket



ST410-005	1/2	1	50	030	8.22
ST410-007	3/4	1	200	030	9.01
ST410-010	1	1	25	030	9.44

Part Number	Size	Std Pk	Mstr Ctn	Prod Code	MSRP
-------------	------	--------	----------	-----------	------

Turf Swivel Joint Male Thread Outlet #2

MAT x Mipt



ST408-005	1/2	1	250	030	6.03
ST408-007	3/4	1	25	030	6.44
ST408-010	1	1	100	030	9.53

Turf Swivel Joint Female Thread Outlet #4

MAT x Fipt



ST412-005	1/2	1	250	030	6.03
ST412-007	3/4	1	25	030	6.44
ST412-010	1	1	200	030	8.96

Turf Swivel Joint Molded Nipples

MAT x MAT



ST207-065	3/4X6-1/2	1	200	030	8.52
ST207-105	3/4X10-1/2	1	25	030	19.64
ST210-065	1X6-1/2	1	50	030	10.96
ST210-105	1X10-1/2	1	25	030	25.97

Turf Swivel Joint O-ring Seal

Pack of 100



BPB-113	1/2	1	10	891	3.09
BPB-115	3/4	1	10	891	3.40
BPB-120	1	1	10	891	4.76