



Irrigation & Turf Product  
**EverTUFF® TURF™ Mechanical Clamp-on Transition Saddles**

# **EverTUFF® TURF™ Mechanical Clamp-on Transition Saddles**



## **PRODUCT**

**Contact Spears® for any Information not found.**

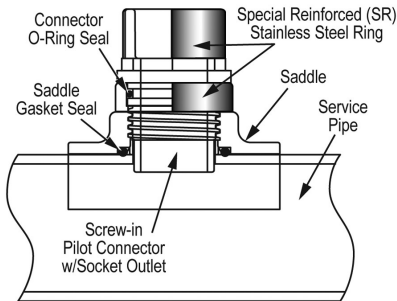
**Irrigation & Turf Product**  
**EverTUFF® TURF™ Mechanical Clamp-on Transition Saddles**



Designed for HDPE-to-PVC pipe transition to provide HDPE mainline take-off for PVC irrigation laterals and irrigation extensions, but fully suitable for any IPS pipe (metal or plastic) transition to PVC. Eliminates costly and cumbersome HDPE fusion process, which is generally cost prohibitive. Depending on the region and location, it has been found that the installed cost of HDPE laterals can be 25% higher than PVC laterals!

Pilot on lateral connector prevents saddle movement on pipe. Exceptionally strong Special Reinforced (SR) outlet on both Saddle outlet and Pilot Connector socket provide unparalleled strength. Injection molded in distinct blue EverTUFF® PVC proprietary material. Pilot Connectors are replaceable and interchangeable with any size EverTUFF® Mechanical Saddle for greater versatility.

Easy Installation - Clamp saddle to pipe, drill hole, install screw-in Pilot Connector with socket outlet. Available for a variety of mainline sizes and can be easily bushed for reduced lateral take-off sizes or special connections.



Note: Mechanical Clamp Not Shown

- Socket Outlet
- 235 psi Pressure Rating @ 73° F
- Stainless Steel Mechanical Clamp
- Elastomer Gasket & O-ring Seals
- Interchangeable 1-1/2" & 2" Lateral Connector Sizes
- Stainless Steel Reinforcing Rings for Extra Strength

**EverTUFF® TURF™ Mechanical Clamp-on Transition Saddles**

Part Number	Size	Std Pk	Mstr Ctn	Prod Code	MSRP
-------------	------	--------	----------	-----------	------

**Pipe O.D. x Socket**

For Polyethylene (or any IPS pipe, metal or plastic) To PVC Transitions

<a href="#">865-419</a>	<b>4X1-1/2</b>	2	0	086	771.97
<a href="#">865-420</a>	<b>4X2</b>	1	0	086	782.55
<a href="#">865-527</a>	<b>6X1-1/2</b>	1	0	086	846.87
<a href="#">865-528</a>	<b>6X2</b>	1	0	086	882.55
<a href="#">865-577</a>	<b>8X1-1/2</b>	1	0	086	991.24
<a href="#">865-578</a>	<b>8X2</b>	1	0	086	1029.81

**EverTUFF® TURF™ Mechanical Clamp-on Transition Saddles**

Part Number	Size	Std Pk	Mstr Ctn	Prod Code	MSRP
-------------	------	--------	----------	-----------	------

**Pipe O.D. x Spigot**

For Polyethylene (or any IPS pipe, metal or plastic) To PVC Transitions

<a href="#">865S-420</a>	<b>4X2</b>	1	0	086	737.72
<a href="#">865S-528</a>	<b>6X2</b>	1	0	086	1017.58
<a href="#">865S-578</a>	<b>8X2</b>	1	0	086	1131.68