



**PVC & CPVC Duct & Fabricated Duct Products & PVC & CPVC Duct Fittings**

**PVC & CPVC Cold Rolled Fabricated Duct**

Part Number	Size	Std Pk	Mstr Ctn	Prod Code	MSRP
-------------	------	--------	----------	-----------	------

**4' CPVC Cold Rolled Duct - Plain End (continued)**

**Price Each**

- Pipe sold in individual lengths or lift quantities. No cut lengths.
  - No return on Pipe
  - Large orders may be shipped directly from Spears® manufacturing facility.
- Note: Multiple drops may be made on TL shipments. Contact Spears® Regional Distribution Center for requirements and drop-off charges.

**PVC & CPVC Duct Fittings**

**PVC Tee**



**Belled Socket**

Part Number	Size	Std Pk	Mstr Ctn	Prod Code	MSRP
4301-060	6	1	4	430	216.56
4301-080	8	1	0	430	275.61
4301-100	10	1	0	430	347.65
4301-120	12	1	0	430	383.02
4301-140	14	1	0	430	445.53
4301-160	16	1	0	430	573.96
4301-180	18	1	0	430	755.36
4301-200	20	1	0	430	1110.01
4301-240	24	1	0	430	1483.56

**PVC Tee, Reducing**



**Belled Socket**

Part Number	Size	Std Pk	Mstr Ctn	Prod Code	MSRP
4301-532	6X4	1	2	430	241.15
4301-582	8X4	1	2	430	251.09
4301-585	8X6	1	0	430	266.13
4301-624	10X4	1	2	430	282.67
4301-626	10X6	1	0	430	295.69
4301-628	10X8	1	0	430	364.33
4301-664	12X4	1	2	430	339.29
4301-666	12X6	1	0	430	383.01
4301-668	12X8	1	0	430	408.22
4301-670	12X10	1	0	430	473.26
4301-694	14X4	1	0	430	381.78
4301-696	14X6	1	0	430	413.57
4301-698	14X8	1	0	430	441.98
4301-700	14X10	1	0	430	486.35
4301-702	14X12	1	0	430	571.12
4301-754	16X4	1	0	430	422.45
4301-756	16X6	1	0	430	448.98
4301-758	16X8	1	0	430	507.46
4301-760	16X10	1	0	430	565.63
4301-762	16X12	1	0	430	606.44
4301-764	16X14	1	0	430	686.16
4301-784	18X4	1	0	430	471.38
4301-786	18X6	1	0	430	494.58
4301-788	18X8	1	0	430	561.26
4301-790	18X10	1	0	430	613.14

Part Number	Size	Std Pk	Mstr Ctn	Prod Code	MSRP
-------------	------	--------	----------	-----------	------

**PVC Tee, Reducing (continued)**

**Belled Socket**

4301-792	18X12	1	0	430	688.14
4301-794	18X14	1	0	430	750.62
4301-796	18X16	1	0	430	869.63
4301-814	20X4	1	0	430	532.17
4301-816	20X6	1	0	430	547.59
4301-818	20X8	1	0	430	619.78
4301-820	20X10	1	0	430	650.91
4301-822	20X12	1	0	430	748.18
4301-824	20X14	1	0	430	824.97
4301-826	20X16	1	0	430	965.89
4301-828	20X18	1	0	430	1155.24
4301-904	24X4	1	0	430	558.64
4301-906	24X6	1	0	430	582.95
4301-908	24X8	1	0	430	670.01
4301-910	24X10	1	0	430	761.40
4301-912	24X12	1	0	430	887.21
4301-914	24X14	1	0	430	980.40
4301-916	24X16	1	0	430	1082.23
4301-918	24X18	1	0	430	1289.09
4301-920	24X20	1	0	430	1479.76

**PVC 90° Elbow**



**Belled Socket**

**General Purpose 2-Piece Construction**

4306-060	6	1	2	430	171.09
4306-080	8	1	2	430	192.80
4306-100	10	1	0	430	232.64
4306-120	12	1	0	430	262.35
4306-140	14	1	0	430	309.31
4306-160	16	1	0	430	399.60
4306-180	18	1	0	430	556.14
4306-200	20	1	0	430	845.95
4306-240	24	1	0	430	1020.48

**PVC 90° Elbow 3-Piece**



**Belled Socket**

**General Purpose 3-Piece Constructions**

43063-060	6	1	3	430	179.47
43063-080	8	1	2	430	202.78
43063-100	10	1	0	430	245.64
43063-120	12	1	0	430	281.48
43063-140	14	1	0	430	323.76
43063-160	16	1	0	430	424.55
43063-180	18	1	0	430	588.83
43063-200	20	1	0	430	880.80
43063-240	24	1	0	430	1085.88
43063-G26	26	1	0	431	2444.86
43063-280	28	1	0	430	1178.60
43063-300	30	1	0	431	1228.88

Duct - Fume & Air Product  
**PVC & CPVC Duct Fittings**



**PVC & CPVC Duct Fittings**

Part Number	Size	Std Pk	Mstr Ctn	Prod Code	MSRP
<b>PVC 90° Elbow 3-Piece (continued)</b>					
<b>Belled Socket</b>					
43063-320	32	1	0	431	1417.86
43063-360	36	1	0	431	2197.28

**PVC 90° Elbow - SMACNA 3-Piece**

**Belled Socket**

SMACNA Compliant 3-Piece Construction

43063S-060	6	1	0	431	188.97
43063S-080	8	1	0	431	215.43
43063S-100	10	1	0	431	265.08
43063S-120	12	1	0	431	294.13
43063S-140	14	1	0	431	363.45
43063S-160	16	1	0	431	471.61

For Nominal Sizes 18" and Larger, use SMACNA 5-Piece Construction

**PVC 90° Elbow - SMACNA 5-Piece**

**Belled Socket**

SMACNA Compliant 5-Piece Construction

43065-060	6	1	0	430	208.62
43065-080	8	1	2	430	302.43
43065-100	10	1	0	430	362.91
43065-120	12	1	0	430	422.27
43065-140	14	1	0	430	490.77
43065-160	16	1	0	430	631.16
43065-180	18	1	0	431	825.26
43065-200	20	1	0	430	1025.19
43065-240	24	1	0	431	1363.81

**PVC 45° Elbow**

**Belled Socket**

General Purpose 1-piece Construction

4317-060	6	1	4	430	119.86
4317-080	8	1	6	430	149.43
4317-100	10	1	2	430	161.97
4317-120	12	1	2	430	200.63
4317-140	14	1	2	430	237.02
4317-160	16	1	0	430	287.23
4317-180	18	1	0	430	419.24
4317-200	20	1	0	430	575.14
4317-240	24	1	0	430	748.48

Part Number	Size	Std Pk	Mstr Ctn	Prod Code	MSRP
-------------	------	--------	----------	-----------	------

**PVC 45° Elbow - SMACNA 3-Piece**

**Belled Socket**

SMACNA Compliant 3-Piece Construction

43173-060	6	1	0	430	172.20
43173-080	8	1	0	430	188.88
43173-100	10	1	0	430	215.68
43173-120	12	1	0	430	262.21
43173-140	14	1	0	430	298.74
43173-160	16	1	0	430	408.84
43173-180	18	1	0	430	546.20
43173-200	20	1	0	430	853.06
43173-240	24	1	0	430	1037.97

**PVC Cross**

**Belled Socket**

4320-060	6	1	0	430	379.66
4320-080	8	1	0	430	522.52
4320-100	10	1	0	430	623.17
4320-120	12	1	0	430	675.95
4320-140	14	1	0	430	836.65
4320-160	16	1	0	430	957.13
4320-180	18	1	0	430	1220.47
4320-200	20	1	0	430	1491.33
4320-240	24	1	0	430	1964.47

**PVC Cross, Reducing**

**Belled Socket**

4320-532	6X4	1	3	430	361.31
4320-582	8X4	1	0	430	447.23
4320-585	8X6	1	0	430	473.33
4320-624	10X4	1	0	430	493.51
4320-626	10X6	1	0	430	553.40
4320-628	10X8	1	0	430	583.76
4320-664	12X4	1	0	430	481.56
4320-666	12X6	1	0	430	527.14
4320-668	12X8	1	0	430	592.93
4320-670	12X10	1	0	430	631.15
4320-694	14X4	1	0	430	519.98
4320-696	14X6	1	0	430	598.19
4320-698	14X8	1	0	430	669.15
4320-700	14X10	1	0	430	727.00
4320-702	14X12	1	0	430	806.79
4320-754	16X4	1	0	430	672.98
4320-756	16X6	1	0	430	742.41
4320-758	16X8	1	0	430	798.88
4320-760	16X10	1	0	430	838.75
4320-762	16X12	1	0	430	876.08
4320-764	16X14	1	0	430	919.62



Duct - Fume & Air Product  
**PVC & CPVC Duct Fittings**

**PVC & CPVC Duct Fittings**

Part Number	Size	Std Pk	Mstr Ctn	Prod Code	MSRP
<b>PVC Cross, Reducing (continued)</b>					
<b>Belled Socket</b>					
4320-784	18X4	1	0	430	762.39
4320-786	18X6	1	0	430	863.80
4320-788	18X8	1	0	430	912.25
4320-790	18X10	1	0	430	972.72
4320-792	18X12	1	0	430	1033.05
4320-794	18X14	1	0	430	1119.37
4320-796	18X16	1	0	430	1169.74
4320-814	20X4	1	0	430	892.82
4320-816	20X6	1	0	430	989.19
4320-818	20X8	1	0	430	1061.31
4320-820	20X10	1	0	430	1116.69
4320-822	20X12	1	0	430	1188.19
4320-824	20X14	1	0	430	1267.84
4320-826	20X16	1	0	430	1340.65
4320-828	20X18	1	0	430	1444.14
4320-904	24X4	1	0	430	982.53
4320-906	24X6	1	0	430	1001.45
4320-908	24X8	1	0	430	1106.72
4320-910	24X10	1	0	430	1220.79
4320-912	24X12	1	0	430	1346.69
4320-914	24X14	1	0	430	1471.55
4320-916	24X16	1	0	430	1577.04
4320-918	24X18	1	0	430	1743.07
4320-920	24X20	1	0	430	1853.91



**PVC Coupling**

**Belled Socket**

4329-060	6	1	4	430	46.34
4329-080	8	1	4	430	54.43
4329-100	10	1	2	430	64.13
4329-120	12	1	4	430	72.43
4329-140	14	1	2	430	79.43
4329-160	16	1	2	430	98.08
4329-180	18	1	2	430	143.28
4329-200	20	1	0	430	221.40
4329-240	24	1	0	430	299.74



**PVC Coupling, Reducer**

**Belled Socket**

4329-532	6X4	1	4	430	60.54
4329-582	8X4	1	5	430	187.17
4329-585	8X6	1	8	430	79.37
4329-624	10X4	1	2	430	349.83
4329-626	10X6	1	2	430	217.48
4329-628	10X8	1	4	430	101.98
4329-664	12X4	1	2	430	389.64
4329-666	12X6	1	2	430	376.29

Part Number	Size	Std Pk	Mstr Ctn	Prod Code	MSRP
-------------	------	--------	----------	-----------	------

**PVC Coupling, Reducer (continued)**

**Belled Socket**

4329-668	12X8	1	2	430	272.29
4329-670	12X10	1	4	430	118.71
4329-694	14X4	1	0	430	967.81
4329-696	14X6	1	0	430	701.18
4329-698	14X8	1	0	430	412.26
4329-700	14X10	1	2	430	340.58
4329-702	14X12	1	4	430	194.85
4329-754	16X4	1	0	430	1169.02
4329-756	16X6	1	0	430	946.96
4329-758	16X8	1	0	430	683.00
4329-760	16X10	1	0	430	475.09
4329-762	16X12	1	2	430	404.84
4329-764	16X14	1	3	430	220.20
4329-784	18X4	1	0	430	1460.48
4329-786	18X6	1	0	430	1192.97
4329-788	18X8	1	0	430	1022.53
4329-790	18X10	1	0	430	698.37
4329-792	18X12	1	0	430	600.34
4329-794	18X14	1	0	430	506.82
4329-796	18X16	1	0	430	252.91
4329-814	20X4	1	0	430	1745.33
4329-816	20X6	1	0	430	1494.15
4329-818	20X8	1	0	430	1218.08
4329-820	20X10	1	0	430	1095.41
4329-822	20X12	1	0	430	956.73
4329-824	20X14	1	0	430	717.52
4329-826	20X16	1	0	430	699.01
4329-828	20X18	1	0	430	446.11
4329-904	24X4	1	0	430	2229.15
4329-906	24X6	1	0	430	1993.69
4329-908	24X8	1	0	430	1733.82
4329-910	24X10	1	0	430	1479.73
4329-912	24X12	1	0	430	1248.49
4329-914	24X14	1	0	430	1098.66
4329-916	24X16	1	0	430	1109.29
4329-918	24X18	1	0	430	827.20
4329-920	24X20	1	0	430	811.56

**PVC Coupling, Conical Reducer**

**Belled Socket**

**SMACNA Compliant Taper for Multi-Step Reducers**

4329C-582	8X4	1	0	431	149.83
4329C-624	10X4	1	0	431	159.79
4329C-626	10X6	1	0	431	177.60
4329C-664	12X4	1	0	431	192.80
4329C-666	12X6	1	2	431	204.66
4329C-668	12X8	1	0	431	217.53
4329C-694	14X4	1	0	431	233.70
4329C-696	14X6	1	0	431	244.29
4329C-698	14X8	1	0	431	259.56
4329C-700	14X10	1	0	431	271.45



Duct - Fume & Air Product  
**PVC & CPVC Duct Fittings**



**PVC & CPVC Duct Fittings**

Part Number	Size	Std Pk	Mstr Ctn	Prod Code	MSRP
-------------	------	--------	----------	-----------	------

**PVC Coupling, Conical Reducer (continued)**

**Belled Socket**

4329C-754	16X4	1	0	431	267.63
4329C-756	16X6	1	0	431	276.47
4329C-758	16X8	1	0	431	286.30
4329C-760	16X10	1	0	431	294.51
4329C-762	16X12	1	0	431	300.94
4329C-784	18X4	1	0	431	305.05
4329C-786	18X6	1	0	431	322.77
4329C-788	18X8	1	0	431	335.18
4329C-790	18X10	1	0	431	343.54
4329C-792	18X12	1	0	431	349.10
4329C-794	18X14	1	0	431	364.20
4329C-814	20X4	1	0	431	342.27
4329C-816	20X6	1	0	431	359.01
4329C-818	20X8	1	0	431	375.55
4329C-820	20X10	1	0	431	382.49
4329C-822	20X12	1	0	431	394.30
4329C-824	20X14	1	0	431	410.47
4329C-826	20X16	1	0	431	418.72
4329C-904	24X4	1	0	431	446.01
4329C-906	24X6	1	0	431	460.66
4329C-908	24X8	1	0	431	469.55
4329C-910	24X10	1	0	431	477.95
4329C-912	24X12	1	0	431	491.09
4329C-914	24X14	1	0	431	509.97
4329C-916	24X16	1	0	431	518.07
4329C-918	24X18	1	0	431	529.58
4329C-920	24X20	1	0	431	543.52

**PVC Sleeve Coupling**

**Socket (No Stop)**

4329S-060	6	1	5	431	38.31
4329S-080	8	1	8	431	50.37
4329S-100	10	1	4	431	56.75
4329S-120	12	1	4	431	61.99
4329S-140	14	1	4	431	128.68
4329S-160	16	1	0	431	139.45
4329S-180	18	1	2	431	167.97
4329S-200	20	1	2	431	197.36
4329S-240	24	1	2	431	209.94

**PVC Flat Cap**

**Belled Socket**

4347-060	6	1	10	430	95.22
4347-080	8	1	5	430	96.92
4347-100	10	1	5	430	104.52
4347-120	12	1	5	430	114.31
4347-140	14	1	4	430	184.28

Part Number	Size	Std Pk	Mstr Ctn	Prod Code	MSRP
-------------	------	--------	----------	-----------	------

**PVC Flat Cap (continued)**

**Belled Socket**

4347-160	16	1	2	430	200.82
4347-180	18	1	4	430	218.81
4347-200	20	1	5	430	326.14
4347-240	24	1	4	430	333.42

**PVC Rain Cap**



**Belled Socket Style A**

4347-060A	6	1	4	430	725.20
4347-080A	8	1	0	430	728.62
4347-100A	10	1	0	430	758.86
4347-120A	12	1	0	430	785.77
4347-140A	14	1	0	430	860.54
4347-160A	16	1	0	430	939.29
4347-180A	18	1	0	430	1253.22
4347-200A	20	1	0	430	1333.59
4347-240A	24	1	0	430	1510.99

**PVC Rain Cap**



**Belled Socket Style B**

4347-060B	6	1	0	430	684.96
4347-080B	8	1	0	430	775.11
4347-100B	10	1	0	430	838.07
4347-120B	12	1	8	430	912.55
4347-140B	14	1	0	430	1025.81
4347-160B	16	1	0	430	1244.41
4347-180B	18	1	0	430	1504.48
4347-200B	20	1	0	430	1726.16
4347-240B	24	1	0	430	1998.06

**PVC Flange - SMACNA**

**Belled Socket One Piece**

**SMACNA Bolt Pattern**

4351S-060	6	1	5	430	98.68
4351S-080	8	1	2	430	125.43
4351S-100	10	1	4	430	134.03
4351S-120	12	1	2	430	156.37
4351S-140	14	3	0	430	171.52
4351S-160	16	1	0	430	221.24
4351S-180	18	1	3	430	329.76
4351S-200	20	4	0	430	404.48
4351S-240	24	1	0	430	435.41

Also available in ANSI Class 150 Bolt Pattern.





## Duct - Fume & Air Product PVC & CPVC Duct Fittings

### PVC & CPVC Duct Fittings

Part Number	Size	Std Pk	Mstr Ctn	Prod Code	MSRP
-------------	------	--------	----------	-----------	------

#### PVC Flange, Blind

**One Piece**



Class 150 Bolt Pattern

4353-060	6	1	36	430	95.46
4353-080	8	1	52	430	119.76
4353-100	10	1	18	430	132.12
4353-120	12	1	50	430	158.80
4353-140	14	1	50	430	202.09
4353-160	16	1	50	430	229.77
4353-180	18	1	50	430	279.84
4353-200	20	1	57	430	390.31
4353-240	24	1	0	430	420.16

#### PVC Flange, Blind - SMACNA

**One Piece**



SMACNA Bolt Pattern

4353S-060	6	1	0	430	101.59
4353S-080	8	1	10	430	127.40
4353S-100	10	1	52	430	140.54
4353S-120	12	1	52	430	168.94
4353S-140	14	1	52	430	215.00
4353S-160	16	1	50	430	244.43
4353S-180	18	1	50	430	302.89
4353S-200	20	1	50	430	415.20
4353S-240	24	1	0	430	446.96

#### PVC Wye

**Belled Socket**



4375-060	6	1	2	430	298.35
4375-080	8	1	0	430	364.66
4375-100	10	1	0	430	442.34
4375-120	12	1	0	430	571.34
4375-140	14	1	0	430	695.26
4375-160	16	1	0	430	828.55
4375-180	18	1	0	430	1230.41
4375-200	20	1	0	430	1402.59
4375-240	24	1	0	430	1904.03

#### PVC Wye, Reducing

**Belled Socket**



4375-532	6X4	1	2	430	290.76
4375-582	8X4	1	2	430	317.95
4375-585	8X6	1	0	430	333.57
4375-624	10X4	1	0	430	361.76

Part Number	Size	Std Pk	Mstr Ctn	Prod Code	MSRP
-------------	------	--------	----------	-----------	------

#### PVC Wye, Reducing (continued)

**Belled Socket**

4375-626	10X6	1	0	430	387.81
4375-628	10X8	1	0	430	425.34
4375-664	12X4	1	0	430	395.86
4375-666	12X6	1	0	430	416.57
4375-668	12X8	1	0	430	472.61
4375-670	12X10	1	0	430	529.17
4375-694	14X4	1	0	430	462.67
4375-696	14X6	1	0	430	495.09
4375-698	14X8	1	0	430	530.58
4375-700	14X10	1	0	430	605.89
4375-702	14X12	1	0	430	679.42
4375-754	16X4	1	0	430	549.00
4375-756	16X6	1	0	430	587.25
4375-758	16X8	1	0	430	608.43
4375-760	16X10	1	0	430	643.56
4375-762	16X12	1	0	430	703.07
4375-764	16X14	1	0	430	799.39
4375-784	18X4	1	0	430	645.78
4375-786	18X6	1	0	430	673.61
4375-788	18X8	1	0	430	733.51
4375-790	18X10	1	0	430	769.78
4375-792	18X12	1	0	430	810.86
4375-794	18X14	1	0	430	921.05
4375-796	18X16	1	0	430	1078.57
4375-814	20X4	1	0	430	727.17
4375-816	20X6	1	0	430	773.87
4375-818	20X8	1	0	430	821.85
4375-820	20X10	1	0	430	869.00
4375-822	20X12	1	0	430	923.01
4375-824	20X14	1	0	430	981.62
4375-826	20X16	1	0	430	1172.72
4375-828	20X18	1	0	430	1349.31
4375-904	24X4	1	0	430	873.53
4375-906	24X6	1	0	430	922.93
4375-908	24X8	1	0	430	1009.82
4375-910	24X10	1	0	430	1115.61
4375-912	24X12	1	0	430	1188.41
4375-914	24X14	1	0	430	1301.36
4375-916	24X16	1	0	430	1356.89
4375-918	24X18	1	0	430	1539.27
4375-920	24X20	1	0	430	1739.86

#### PVC Wye, Double

**Belled Socket**



4376-060	6	1	0	430	298.12
4376-080	8	1	0	430	344.49
4376-100	10	1	0	430	391.46
4376-120	12	1	0	430	463.81
4376-140	14	1	0	430	969.65
4376-160	16	1	0	430	1162.07
4376-180	18	1	0	430	1663.49

Duct - Fume & Air Product  
**PVC & CPVC Duct Fittings**



**PVC & CPVC Duct Fittings**

Part Number	Size	Std Pk	Mstr Ctn	Prod Code	MSRP
-------------	------	--------	----------	-----------	------

**PVC Wye, Double (continued)**

**Belled Socket**

4376-200	20	1	0	430	2364.66
4376-240	24	1	0	430	4481.01

**PVC Wye, Double Reducing**

**Belled Socket**

4376-532	6X4	1	0	430	388.18
4376-582	8X4	1	0	430	284.97
4376-585	8X6	1	0	430	321.95
4376-624	10X4	1	0	430	516.81
4376-626	10X6	1	0	430	545.71
4376-628	10X8	1	0	430	552.58
4376-664	12X4	1	0	430	344.55
4376-666	12X6	1	0	430	414.18
4376-668	12X8	1	0	430	422.72
4376-670	12X10	1	0	430	428.52
4376-694	14X4	1	0	430	659.99
4376-696	14X6	1	0	430	670.59
4376-698	14X8	1	0	430	687.42
4376-700	14X10	1	0	430	771.66
4376-702	14X12	1	0	430	916.38
4376-754	16X4	1	0	430	597.11
4376-756	16X6	1	0	430	698.59
4376-758	16X8	1	0	430	733.23
4376-760	16X10	1	0	430	787.99
4376-762	16X12	1	0	430	862.79
4376-764	16X14	1	0	430	1142.36
4376-784	18X4	1	0	430	709.55
4376-786	18X6	1	0	430	794.59
4376-788	18X8	1	0	430	847.17
4376-790	18X10	1	0	430	940.94
4376-792	18X12	1	0	430	995.61
4376-794	18X14	1	0	430	1232.91
4376-796	18X16	1	0	430	1531.82
4376-814	20X4	1	0	430	819.13
4376-816	20X6	1	0	430	1033.51
4376-818	20X8	1	0	430	1110.33
4376-820	20X10	1	0	430	1234.13
4376-822	20X12	1	0	430	1340.52
4376-824	20X14	1	0	430	1854.72
4376-826	20X16	1	0	430	2051.85
4376-828	20X18	1	0	430	2392.08
4376-904	24X4	1	0	430	956.02
4376-906	24X6	1	0	430	1204.71
4376-908	24X8	1	0	430	1318.80
4376-910	24X10	1	0	430	1491.92
4376-912	24X12	1	0	430	1635.76
4376-914	24X14	1	0	430	1789.02
4376-916	24X16	1	0	430	1971.79
4376-918	24X18	1	0	430	2319.81



Part Number	Size	Std Pk	Mstr Ctn	Prod Code	MSRP
-------------	------	--------	----------	-----------	------

**PVC Wye, Double Reducing (continued)**

**Belled Socket**

4376-920	24X20	1	0	430	3577.11
----------	-------	---	---	-----	---------

**PVC Blast Gate**

**Belled End**

43BG-060	6	1	0	430	286.48
43BG-080	8	1	2	430	325.66
43BG-100	10	1	3	430	345.18
43BG-120	12	1	2	430	432.51
43BG-140	14	1	0	430	574.11
43BG-160	16	1	0	430	637.97
43BG-180	18	1	0	430	752.62
43BG-200	20	1	0	430	854.17
43BG-240	24	1	2	430	1163.86



**PVC Butterfly Damper**

**Belled Socket**

43BD-060	6	1	2	430	280.59
43BD-080	8	1	0	430	289.20
43BD-100	10	1	0	430	331.27
43BD-120	12	1	0	430	354.99
43BD-140	14	1	0	430	475.31
43BD-160	16	1	0	430	529.67
43BD-180	18	1	2	430	718.89
43BD-200	20	1	0	430	847.17
43BD-240	24	1	0	430	1094.89



**CPVC Tee**

**Belled Socket**

4301-060C	6	1	4	432	399.06
4301-080C	8	1	0	432	530.14
4301-100C	10	1	0	432	741.80
4301-120C	12	1	0	432	896.85
4301-140C	14	1	0	432	1052.66
4301-160C	16	1	0	432	1304.35
4301-180C	18	1	0	432	1552.58
4301-200C	20	1	0	432	2151.65
4301-240C	24	1	0	432	3072.34



**CPVC Tee, Reducing**

**Belled Socket**

4301-532C	6X4	1	4	432	342.96
4301-582C	8X4	1	2	432	395.24
4301-585C	8X6	1	0	432	458.19
4301-624C	10X4	1	2	432	494.55
4301-626C	10X6	1	0	432	566.15





Duct - Fume & Air Product  
**PVC & CPVC Duct Fittings**

**PVC & CPVC Duct Fittings**

Part Number	Size	Std Pk	Mstr Ctn	Prod Code	MSRP
<b>CPVC Tee, Reducing (continued)</b>					
<b>Belled Socket</b>					
4301-628C	10X8	1	0	432	621.60
4301-664C	12X4	1	2	432	569.91
4301-666C	12X6	1	0	432	608.52
4301-668C	12X8	1	0	432	741.36
4301-670C	12X10	1	0	432	869.18
4301-694C	14X4	1	0	432	721.40
4301-696C	14X6	1	0	432	759.04
4301-698C	14X8	1	0	432	846.15
4301-700C	14X10	1	0	432	983.57
4301-702C	14X12	1	0	432	1021.18
4301-754C	16X4	1	0	432	793.56
4301-756C	16X6	1	0	432	835.32
4301-758C	16X8	1	0	432	928.14
4301-760C	16X10	1	0	432	1079.25
4301-762C	16X12	1	0	432	1152.47
4301-764C	16X14	1	0	432	1327.07
4301-784C	18X4	1	0	432	1003.24
4301-786C	18X6	1	0	432	1078.79
4301-788C	18X8	1	0	432	1146.16
4301-790C	18X10	1	0	432	1232.44
4301-792C	18X12	1	0	432	1311.11
4301-794C	18X14	1	0	432	1477.18
4301-796C	18X16	1	0	432	1530.17
4301-814C	20X4	1	0	432	1203.32
4301-816C	20X6	1	0	432	1254.94
4301-818C	20X8	1	0	432	1410.05
4301-820C	20X10	1	0	432	1471.85
4301-822C	20X12	1	0	432	1565.81
4301-824C	20X14	1	0	432	1683.67
4301-826C	20X16	1	0	432	1876.93
4301-828C	20X18	1	0	432	2147.49
4301-904C	24X4	1	0	432	1392.44
4301-906C	24X6	1	0	432	1601.47
4301-908C	24X8	1	0	432	1703.67
4301-910C	24X10	1	0	432	1793.39
4301-912C	24X12	1	0	432	1949.32
4301-914C	24X14	1	0	432	2096.03
4301-916C	24X16	1	0	432	2229.83
4301-918C	24X18	1	0	432	2610.91
4301-920C	24X20	1	0	432	2978.40

**CPVC 90° Elbow**

**Belled Socket**

General Purpose 2-piece Construction

4306-060C	6	1	2	432	281.91
4306-080C	8	1	2	432	377.84
4306-100C	10	1	0	432	513.88
4306-120C	12	1	0	432	614.52
4306-140C	14	1	0	432	772.33



Part Number	Size	Std Pk	Mstr Ctn	Prod Code	MSRP
-------------	------	--------	----------	-----------	------

**CPVC 90° Elbow (continued)**

**Belled Socket**

4306-160C	16	1	0	432	947.13
4306-180C	18	1	0	432	1193.32
4306-200C	20	1	0	432	3508.38
4306-240C	24	1	0	432	4826.48

**CPVC 90° Elbow 3-Piece**

**Belled Socket**

General Purpose 3-Piece Construction

43063-060C	6	1	3	432	273.46
43063-080C	8	1	2	432	387.19
43063-100C	10	1	0	432	542.63
43063-120C	12	1	0	432	641.32
43063-140C	14	1	0	432	818.72
43063-160C	16	1	0	432	1005.00
43063-180C	18	1	0	432	1277.27
43063-200C	20	1	0	432	1606.02
43063-240C	24	1	0	432	2432.39
43063-G26C	26	1	0	432	6075.81
43063-280C	28	1	0	432	2676.39
43063-300C	30	1	0	432	2802.91
43063-320C	32	1	0	432	3188.51
43063-360C	36	1	0	432	4587.75



**CPVC 90° Elbow - SMACNA 3-Piece**

**Belled End**

SMACNA Compliant 3-Piece Construction

43063S-060C	6	1	0	433	282.87
43063S-080C	8	1	0	433	399.89
43063S-100C	10	1	0	433	551.89
43063S-120C	12	1	0	433	654.27
43063S-140C	14	1	0	433	905.73
43063S-160C	16	1	0	433	1154.61

For Nominal Sizes 18" and Larger, use SMACNA 5-Piece Construction

**CPVC 90° Elbow - SMACNA 5-Piece**

**Belled Socket**

SMACNA Compliant 5-Piece Construction

43065-060C	6	1	2	432	338.36
43065-080C	8	1	0	432	473.19
43065-100C	10	1	0	432	592.93
43065-120C	12	1	0	432	734.12
43065-140C	14	1	0	432	1470.72
43065-160C	16	1	0	432	1839.16
43065-180C	18	1	0	432	2465.81
43065-200C	20	1	0	432	3194.60
43065-240C	24	1	0	432	4269.37



Duct - Fume & Air Product  
**PVC & CPVC Duct Fittings**



**PVC & CPVC Duct Fittings**

Part Number	Size	Std Pk	Mstr Ctn	Prod Code	MSRP
-------------	------	--------	----------	-----------	------

**CPVC 45° Elbow**

**Belled Socket**



General Purpose 1-piece Construction

4317-060C	6	1	4	432	215.45
4317-080C	8	1	6	432	288.26
4317-100C	10	1	2	432	389.54
4317-120C	12	1	2	432	471.11
4317-140C	14	2	0	432	580.83
4317-160C	16	1	0	432	668.83
4317-180C	18	1	0	432	901.41
4317-200C	20	1	0	432	1216.46
4317-240C	24	1	0	432	1710.45

**CPVC 45° Elbow - SMACNA 3-Piece**

**Belled Socket**



SMACNA Compliant 3-Piece Construction

43173-060C	6	1	0	432	257.87
43173-080C	8	1	0	432	365.76
43173-100C	10	1	0	432	480.18
43173-120C	12	1	0	432	552.84
43173-140C	14	1	0	432	792.49
43173-160C	16	1	0	432	976.46
43173-180C	18	1	0	432	1251.39
43173-200C	20	1	0	432	1564.28
43173-240C	24	1	0	432	2368.61

**CPVC Cross**

**Belled Socket**



4320-060C	6	1	0	432	790.09
4320-080C	8	1	0	432	1049.67
4320-100C	10	1	0	432	1468.76
4320-120C	12	1	0	432	1775.78
4320-140C	14	1	0	432	2084.27
4320-160C	16	1	0	432	2582.61
4320-180C	18	1	0	432	3074.09
4320-200C	20	1	0	432	4260.31
4320-240C	24	1	0	432	6083.18

**CPVC Cross, Reducing**

**Belled Socket**



4320-532C	6X4	1	3	432	700.23
4320-582C	8X4	1	0	432	868.41
4320-585C	8X6	1	0	432	916.38
4320-624C	10X4	1	0	432	979.19

Part Number	Size	Std Pk	Mstr Ctn	Prod Code	MSRP
-------------	------	--------	----------	-----------	------

**CPVC Cross, Reducing (continued)**

**Belled Socket**

4320-626C	10X6	1	0	432	1120.99
4320-628C	10X8	1	0	432	1230.74
4320-664C	12X4	1	0	432	1128.42
4320-666C	12X6	1	0	432	1204.87
4320-668C	12X8	1	0	432	1467.93
4320-670C	12X10	1	0	432	1720.97
4320-694C	14X4	1	0	432	1428.38
4320-696C	14X6	1	0	432	1502.96
4320-698C	14X8	1	0	432	1675.38
4320-700C	14X10	1	0	432	1947.46
4320-702C	14X12	1	0	432	2021.93
4320-754C	16X4	1	0	432	1571.23
4320-756C	16X6	1	0	432	1653.94
4320-758C	16X8	1	0	432	1837.74
4320-760C	16X10	1	0	432	2136.92
4320-762C	16X12	1	0	432	2281.85
4320-764C	16X14	1	0	432	2627.61
4320-784C	18X4	1	0	432	1986.48
4320-786C	18X6	1	0	432	2135.98
4320-788C	18X8	1	0	432	2269.42
4320-790C	18X10	1	0	432	2440.23
4320-792C	18X12	1	0	432	2595.99
4320-794C	18X14	1	0	432	2924.80
4320-796C	18X16	1	0	432	3029.75
4320-814C	20X4	1	0	432	2382.57
4320-816C	20X6	1	0	432	2484.79
4320-818C	20X8	1	0	432	2791.91
4320-820C	20X10	1	0	432	2914.28
4320-822C	20X12	1	0	432	3100.29
4320-824C	20X14	1	0	432	3333.63
4320-826C	20X16	1	0	432	3716.35
4320-828C	20X18	1	0	432	4252.01
4320-904C	24X4	1	0	432	2757.04
4320-906C	24X6	1	0	432	3170.94
4320-908C	24X8	1	0	432	3373.29
4320-910C	24X10	1	0	432	3550.83
4320-912C	24X12	1	0	432	3859.64
4320-914C	24X14	1	0	432	4150.12
4320-916C	24X16	1	0	432	4415.03
4320-918C	24X18	1	0	432	5169.57
4320-920C	24X20	1	0	432	5897.23

**CPVC Coupling**

**Belled Socket**



4329-060C	6	1	4	432	98.99
4329-080C	8	1	8	432	126.23
4329-100C	10	1	2	432	166.26
4329-120C	12	1	3	432	185.19
4329-140C	14	1	2	432	229.12
4329-160C	16	1	2	432	250.01
4329-180C	18	1	0	432	312.54





Duct - Fume & Air Product  
**PVC & CPVC Duct Fittings**

**PVC & CPVC Duct Fittings**

Part Number	Size	Std Pk	Mstr Ctn	Prod Code	MSRP
<b>CPVC Coupling (continued)</b>					
<b>Belled Socket</b>					
4329-200C	20	1	0	432	392.92
4329-240C	24	1	2	432	483.33

**CPVC Coupling, Reducer**

**Belled Socket**



4329-532C	6X4	1	4	432	193.24
4329-582C	8X4	1	8	432	475.84
4329-585C	8X6	1	8	432	187.19
4329-624C	10X4	1	2	432	655.51
4329-626C	10X6	1	2	432	485.34
4329-628C	10X8	1	4	432	248.29
4329-664C	12X4	1	2	432	926.34
4329-666C	12X6	1	2	432	733.77
4329-668C	12X8	1	2	432	637.84
4329-670C	12X10	1	0	432	339.67
4329-694C	14X4	1	0	432	1189.82
4329-696C	14X6	1	0	432	951.86
4329-698C	14X8	1	0	432	809.11
4329-700C	14X10	1	0	432	829.12
4329-702C	14X12	1	4	432	464.98
4329-754C	16X4	1	0	432	1549.80
4329-756C	16X6	1	0	432	1233.93
4329-758C	16X8	1	0	432	1045.71
4329-760C	16X10	1	0	432	993.06
4329-762C	16X12	1	2	432	966.36
4329-764C	16X14	1	3	432	597.41
4329-784C	18X4	1	0	432	1874.40
4329-786C	18X6	1	0	432	1505.56
4329-788C	18X8	1	0	432	1275.87
4329-790C	18X10	1	0	432	1208.21
4329-792C	18X12	1	0	432	1164.00
4329-794C	18X14	1	0	432	1131.74
4329-796C	18X16	1	0	432	702.14
4329-814C	20X4	1	0	432	2443.51
4329-816C	20X6	1	0	432	1970.58
4329-818C	20X8	1	0	432	1678.77
4329-820C	20X10	1	0	432	1583.74
4329-822C	20X12	1	0	432	1518.62
4329-824C	20X14	1	0	432	1432.69
4329-826C	20X16	1	0	432	1407.15
4329-828C	20X18	1	0	432	1025.63
4329-904C	24X4	1	0	432	3139.44
4329-906C	24X6	1	0	432	2528.88
4329-908C	24X8	1	0	432	2181.46
4329-910C	24X10	1	0	432	2040.96
4329-912C	24X12	1	0	432	1964.34
4329-914C	24X14	1	0	432	1853.14
4329-916C	24X16	1	0	432	2529.27
4329-918C	24X18	1	0	432	1641.69

Part Number	Size	Std Pk	Mstr Ctn	Prod Code	MSRP
<b>CPVC Coupling, Reducer (continued)</b>					
<b>Belled Socket</b>					
4329-920C	24X20	1	0	432	1628.09

**CPVC Coupling, Conical Reducer**

**Belled Socket**



**SMACNA Compliant Taper for Multi-Step Reducers**

4329C-582C	8X4	1	0	433	241.66
4329C-624C	10X4	1	0	433	281.36
4329C-626C	10X6	1	0	432	310.80
4329C-664C	12X4	1	0	433	348.96
4329C-666C	12X6	1	0	433	371.36
4329C-668C	12X8	1	0	433	379.44
4329C-694C	14X4	1	0	433	517.48
4329C-696C	14X6	1	0	433	532.34
4329C-698C	14X8	1	0	433	548.96
4329C-700C	14X10	1	0	433	575.77
4329C-754C	16X4	1	0	433	637.54
4329C-756C	16X6	1	0	433	643.45
4329C-758C	16X8	1	0	433	661.06
4329C-760C	16X10	1	0	433	674.96
4329C-762C	16X12	1	0	433	697.36
4329C-784C	18X4	1	0	433	777.74
4329C-786C	18X6	1	0	433	812.15
4329C-788C	18X8	1	0	433	846.05
4329C-790C	18X10	1	0	433	866.19
4329C-792C	18X12	1	0	433	879.99
4329C-794C	18X14	1	0	433	904.79
4329C-814C	20X4	1	0	433	950.64
4329C-816C	20X6	1	0	433	990.46
4329C-818C	20X8	1	0	433	1017.54
4329C-820C	20X10	1	0	433	1022.37
4329C-822C	20X12	1	0	433	1034.54
4329C-824C	20X14	1	0	433	1058.22
4329C-826C	20X16	1	0	433	1095.71
4329C-904C	24X4	1	0	433	1224.92
4329C-906C	24X6	1	0	433	1260.01
4329C-908C	24X8	1	0	433	1269.31
4329C-910C	24X10	1	0	433	1310.46
4329C-912C	24X12	1	0	433	1322.36
4329C-914C	24X14	1	0	433	1333.12
4329C-916C	24X16	1	0	433	1374.09
4329C-918C	24X18	1	0	433	1395.28
4329C-920C	24X20	1	0	433	1426.16

**CPVC Sleeve Coupling**

**Socket (No Stop)**



4329S-060C	6	1	10	433	54.62
4329S-080C	8	1	6	433	68.35
4329S-100C	10	1	4	433	81.93
4329S-120C	12	1	4	433	90.95

Duct - Fume & Air Product  
**PVC & CPVC Duct Fittings**



**PVC & CPVC Duct Fittings**

Part Number	Size	Std Pk	Mstr Ctn	Prod Code	MSRP
<b>CPVC Sleeve Coupling (continued)</b>					
<b>Socket (No Stop)</b>					
4329S-140C	14	1	2	433	342.39
4329S-160C	16	1	3	433	376.72
4329S-180C	18	1	2	433	458.13
4329S-200C	20	1	2	433	535.54
4329S-240C	24	1	2	433	610.70

**CPVC Flat Cap**

**Belled Socket**

4347-060C	6	1	6	432	182.65
4347-080C	8	1	5	432	217.61
4347-100C	10	1	4	432	253.71
4347-120C	12	1	5	432	289.71
4347-140C	14	1	4	432	325.95
4347-160C	16	1	2	432	374.53
4347-180C	18	1	5	432	472.88
4347-200C	20	1	5	432	678.97
4347-240C	24	1	5	432	724.48

**CPVC Rain Cap**

**Belled Socket Style A**

4347-060AC	6	1	4	432	862.98
4347-080AC	8	1	0	432	1180.79
4347-100AC	10	1	0	432	1372.79
4347-120AC	12	1	0	432	1356.87
4347-140AC	14	1	0	432	2241.54
4347-160AC	16	1	0	432	2557.87
4347-180AC	18	1	0	432	2947.87
4347-200AC	20	1	0	432	4303.82
4347-240AC	24	1	0	432	5077.39

**CPVC Rain Cap**

**Belled Socket Style B**

4347-060BC	6	1	0	432	772.58
4347-080BC	8	1	0	432	1145.67
4347-100BC	10	1	0	432	1388.96
4347-120BC	12	1	0	432	1669.06
4347-140BC	14	1	0	432	2249.82
4347-160BC	16	1	0	432	2561.82
4347-180BC	18	1	0	432	3140.26
4347-200BC	20	1	0	432	4618.53
4347-240BC	24	1	0	432	5029.59

Part Number	Size	Std Pk	Mstr Ctn	Prod Code	MSRP
-------------	------	--------	----------	-----------	------

**CPVC Flange - SMACNA**

**Belled Socket One Piece**

**SMACNA Bolt Pattern**

4351S-060C	6	1	4	432	225.33
4351S-080C	8	1	2	432	260.81
4351S-100C	10	1	4	432	321.97
4351S-120C	12	1	2	432	342.45
4351S-140C	14	1	0	432	397.11
4351S-160C	16	1	4	432	462.11
4351S-180C	18	1	0	432	618.14
4351S-200C	20	1	0	432	750.55
4351S-240C	24	1	0	432	1057.33

Also available in ANSI Class 150 Bolt Pattern.

**CPVC Flange, Blind**

**One Piece**

**Class 150 Bolt Pattern**

4353-060C	6	1	36	432	226.80
4353-080C	8	1	36	432	260.61
4353-100C	10	1	18	432	314.34
4353-120C	12	1	4	432	345.63
4353-140C	14	1	6	432	410.54
4353-160C	16	1	0	432	452.06
4353-180C	18	1	0	432	642.74
4353-200C	20	1	14	432	796.39
4353-240C	24	1	0	432	1062.47

**CPVC Flange, Blind - SMACNA**

**One Piece**

**SMACNA Bolt Pattern**

4353S-060C	6	1	52	432	241.29
4353S-080C	8	1	52	432	277.24
4353S-100C	10	1	52	432	334.40
4353S-120C	12	1	52	432	367.66
4353S-140C	14	1	52	432	436.76
4353S-160C	16	1	50	432	485.80
4353S-180C	18	1	50	432	683.80
4353S-200C	20	1	50	432	847.20
4353S-240C	24	1	57	432	1129.60

**CPVC Wye**

**Belled Socket**

4375-060C	6	1	2	432	452.46
4375-080C	8	1	0	432	643.61
4375-100C	10	1	0	432	784.36
4375-120C	12	1	0	432	991.78



Duct - Fume & Air Product  
**PVC & CPVC Duct Fittings**

**PVC & CPVC Duct Fittings**

Part Number	Size	Std Pk	Mstr Ctn	Prod Code	MSRP
<b>CPVC Wye (continued)</b>					
<b>Belled Socket</b>					
4375-140C	14	1	0	432	1322.74
4375-160C	16	1	0	432	1557.66
4375-180C	18	1	0	432	1917.60
4375-200C	20	1	0	432	2344.35
4375-240C	24	1	0	432	3390.01

**CPVC Wye, Reducing**

**Belled Socket**



4375-532C	6X4	1	2	432	449.35
4375-582C	8X4	1	2	432	543.65
4375-585C	8X6	1	0	432	547.41
4375-624C	10X4	1	0	432	649.85
4375-626C	10X6	1	0	432	663.12
4375-628C	10X8	1	0	432	787.22
4375-664C	12X4	1	0	432	743.20
4375-666C	12X6	1	0	432	765.04
4375-668C	12X8	1	0	432	893.48
4375-670C	12X10	1	0	432	1516.60
4375-694C	14X4	1	0	432	816.21
4375-696C	14X6	1	0	432	826.87
4375-698C	14X8	1	0	432	1008.37
4375-700C	14X10	1	0	432	1175.08
4375-702C	14X12	1	0	432	2465.08
4375-754C	16X4	1	0	432	863.54
4375-756C	16X6	1	0	432	869.31
4375-758C	16X8	1	0	432	1060.12
4375-760C	16X10	1	0	432	1262.09
4375-762C	16X12	1	0	432	1392.85
4375-764C	16X14	1	0	432	1527.00
4375-784C	18X4	1	0	432	935.77
4375-786C	18X6	1	0	432	949.21
4375-788C	18X8	1	0	432	1116.72
4375-790C	18X10	1	0	432	1378.66
4375-792C	18X12	1	0	432	1532.08
4375-794C	18X14	1	0	432	1836.39
4375-796C	18X16	1	0	432	2074.99
4375-814C	20X4	1	0	432	1709.84
4375-816C	20X6	1	0	432	1787.09
4375-818C	20X8	1	0	432	1938.79
4375-820C	20X10	1	0	432	2014.93
4375-822C	20X12	1	0	432	2516.84
4375-824C	20X14	1	0	432	2608.49
4375-826C	20X16	1	0	432	2817.24
4375-828C	20X18	1	0	432	3026.48
4375-904C	24X4	1	0	432	1920.79
4375-906C	24X6	1	0	432	2030.82
4375-908C	24X8	1	0	432	2329.09
4375-910C	24X10	1	0	432	2643.08
4375-912C	24X12	1	0	432	2844.16

Part Number	Size	Std Pk	Mstr Ctn	Prod Code	MSRP
-------------	------	--------	----------	-----------	------

**CPVC Wye, Reducing (continued)**

**Belled Socket**

4375-914C	24X14	1	0	432	2984.77
4375-916C	24X16	1	0	432	3132.66
4375-918C	24X18	1	0	432	3491.01
4375-920C	24X20	1	0	432	3893.45

**CPVC Wye, Double**

**Belled Socket**



4376-060C	6	1	0	432	431.46
4376-080C	8	1	0	432	574.28
4376-100C	10	1	0	432	612.16
4376-120C	12	1	0	432	860.17
4376-140C	14	1	0	432	3455.83
4376-160C	16	1	0	432	4031.52
4376-180C	18	1	0	432	5285.43
4376-200C	20	1	0	432	7172.52
4376-240C	24	1	0	432	14424.49

**CPVC Wye, Double Reducing**

**Belled Socket**



4376-532C	6X4	1	0	432	477.49
4376-582C	8X4	1	2	432	334.54
4376-585C	8X6	1	0	432	470.86
4376-624C	10X4	1	0	432	619.76
4376-626C	10X6	1	0	432	692.16
4376-628C	10X8	1	0	432	726.82
4376-664C	12X4	1	0	432	515.32
4376-666C	12X6	1	0	432	582.45
4376-668C	12X8	1	0	432	670.44
4376-670C	12X10	1	0	432	814.07
4376-694C	14X4	1	0	432	1797.28
4376-696C	14X6	1	0	432	1839.12
4376-698C	14X8	1	0	432	1954.25
4376-700C	14X10	1	0	432	2327.85
4376-702C	14X12	1	0	432	2602.97
4376-754C	16X4	1	0	432	1885.61
4376-756C	16X6	1	0	432	2022.93
4376-758C	16X8	1	0	432	2156.83
4376-760C	16X10	1	0	432	2384.04
4376-762C	16X12	1	0	432	2767.88
4376-764C	16X14	1	0	432	4250.31
4376-784C	18X4	1	0	432	2065.78
4376-786C	18X6	1	0	432	2145.53
4376-788C	18X8	1	0	432	2433.47
4376-790C	18X10	1	0	432	2714.13
4376-792C	18X12	1	0	432	2953.12
4376-794C	18X14	1	0	432	3915.01
4376-796C	18X16	1	0	432	4727.09
4376-814C	20X4	1	0	432	2421.35
4376-816C	20X6	1	0	432	2878.20

Duct - Fume & Air Product  
**PVC & CPVC Duct Hangers**



**PVC & CPVC Duct Fittings**

Part Number	Size	Std Pk	Mstr Ctn	Prod Code	MSRP
<b>CPVC Wye, Double Reducing (continued)</b>					
<b>Belled Socket</b>					
4376-818C	20X8	1	0	432	3028.44
4376-820C	20X10	1	0	432	3403.81
4376-822C	20X12	1	0	432	3623.44
4376-824C	20X14	1	0	432	5237.51
4376-826C	20X16	1	0	432	5269.26
4376-828C	20X18	1	0	432	5700.29
4376-904C	24X4	1	0	432	2758.20
4376-906C	24X6	1	0	432	3019.32
4376-908C	24X8	1	0	432	3408.98
4376-910C	24X10	1	0	432	3797.12
4376-912C	24X12	1	0	432	3901.14
4376-914C	24X14	1	0	432	6065.33
4376-916C	24X16	1	0	432	6765.01
4376-918C	24X18	1	0	432	7425.47
4376-920C	24X20	1	0	432	10574.59

**CPVC Blast Gate**



**Belled End**

43BG-060C	6	1	0	432	468.65
43BG-080C	8	1	2	432	559.58
43BG-100C	10	1	3	432	671.22
43BG-120C	12	1	0	432	732.39
43BG-140C	14	1	2	432	950.04
43BG-160C	16	1	0	432	1124.94
43BG-180C	18	1	0	432	1375.23
43BG-200C	20	1	0	432	2145.35
43BG-240C	24	1	0	432	2223.07

**CPVC Butterfly Damper**



**Belled Socket**

43BD-060C	6	1	2	432	402.41
43BD-080C	8	1	0	432	482.60
43BD-100C	10	1	0	432	623.07
43BD-120C	12	1	4	432	733.56
43BD-140C	14	1	0	432	859.78
43BD-160C	16	1	0	432	1022.75
43BD-180C	18	1	2	432	1209.38
43BD-200C	20	1	0	432	1444.63
43BD-240C	24	1	0	432	2015.14

**PVC & CPVC Duct Hangers**

Part Number	Size	Std Pk	Mstr Ctn	Prod Code	MSRP
<b>PVC Duct Hangers</b>					
43DH-060	6	1	0	430	124.52
43DH-080	8	1	0	430	132.91
43DH-100	10	1	0	430	145.09
43DH-120	12	1	0	430	153.24
43DH-140	14	1	0	430	165.32
43DH-160	16	1	0	430	183.15
43DH-180	18	1	0	430	217.23
43DH-200	20	1	0	430	271.74
43DH-240	24	1	0	430	317.46

**CPVC Duct Hangers**

43DH-060C	6	1	0	432	206.71
43DH-080C	8	1	0	432	226.01
43DH-100C	10	1	0	432	260.57
43DH-120C	12	1	0	432	283.86
43DH-140C	14	1	0	432	300.93
43DH-160C	16	1	0	432	334.40
43DH-180C	18	1	0	432	379.95
43DH-200C	20	1	0	432	462.56
43DH-240C	24	1	0	432	616.45





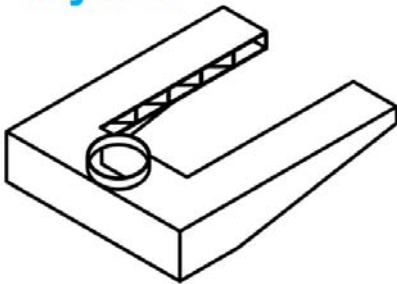
## Custom Exhaust Hoods and Transitions SPEARS® Commitment to Excellence

With years of experience, we specialize in the fabrication of many configurations of exhaust hoods. SPEARS® takes every step possible to insure our high standard of quality.

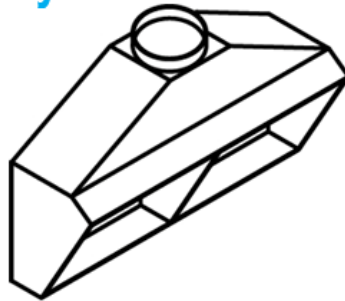
Our standard materials are PVC, CPVC and Polypropylene in almost any round and rectangular size.

Contact your Regional Distribution Center for individual sketches and quotation on custom styles of hoods listed below or send us your own sketch of any other hood configuration.

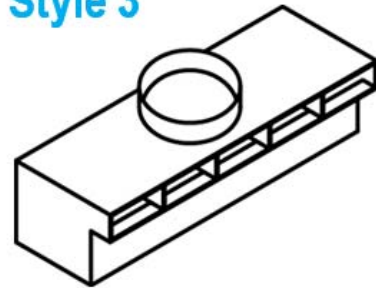
**Style 1**



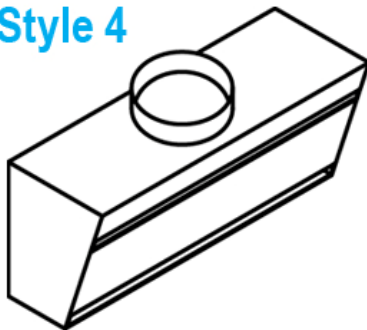
**Style 2**



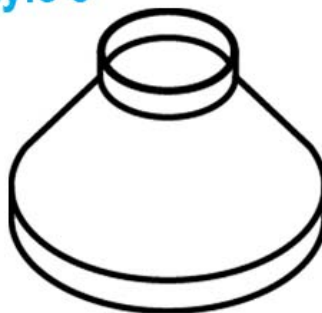
**Style 3**



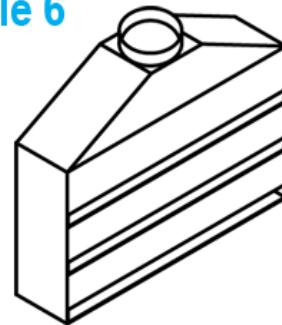
**Style 4**



**Style 5**

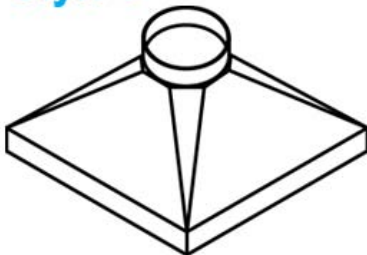


**Style 6**

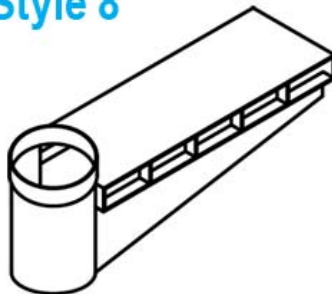


Square to round transition  
(Flanged or socket type)

**Style 7**



**Style 8**



**Style 9**

