



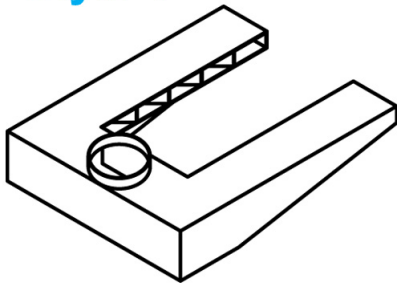
Custom Exhaust Hoods and Transitions SPEARS® Commitment to Excellence

With years of experience, we specialize in the fabrication of many configurations of exhaust hoods. SPEARS® takes every step possible to insure our high standard of quality.

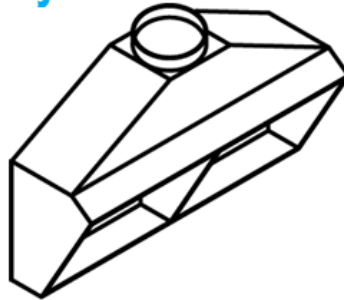
Our standard materials are PVC, CPVC and Polypropylene in almost any round and rectangular size.

Contact your Regional Distribution Center for individual sketches and quotation on custom styles of hoods listed below or send us your own sketch of any other hood configuration.

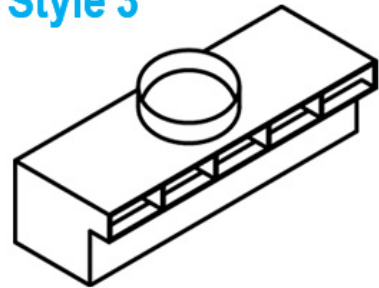
Style 1



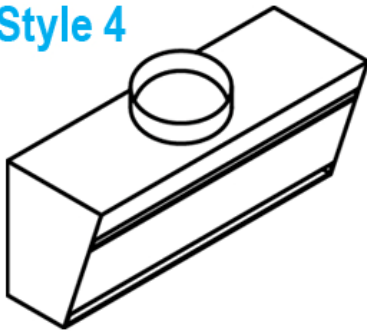
Style 2



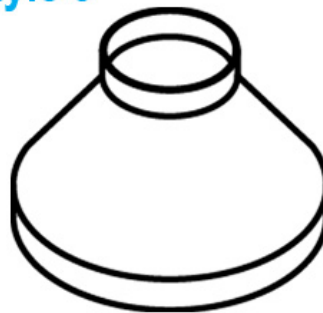
Style 3



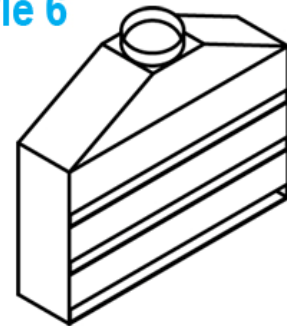
Style 4



Style 5

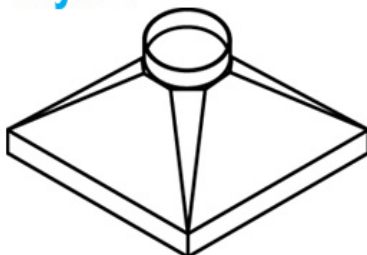


Style 6

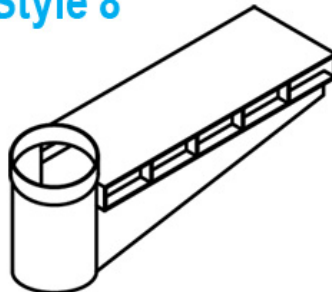


Square to round transition
(Flanged or socket type)

Style 7



Style 8



Style 9

