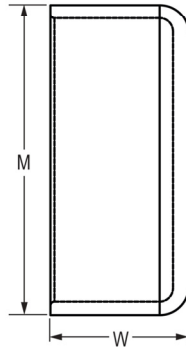


Fabricated Fittings Technical
PVC Schedule 40 & 80 Low Pressure Fabricated Fittings



Cap SCH 80

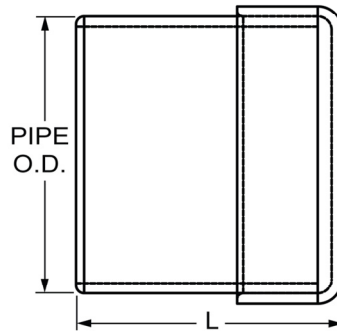
Socket



Part Number	Size	M	W	Approx. Wt. (Lbs.)
3947-100	10	11-9/16	3-3/4	3.63
3947-120	12	13-9/16	4-1/8	5.74
3947-140	14	14-7/8	5-1/8	8.06
3947-160	16	17-1/8	5-1/2	11.89
3947-180	18	18-7/8	5-7/8	11.67
3947-200	20	21-3/16	6-7/8	18.54
3947-240	24	25-3/16	7	30.00

Spigot Plug SCH 40

Spigot



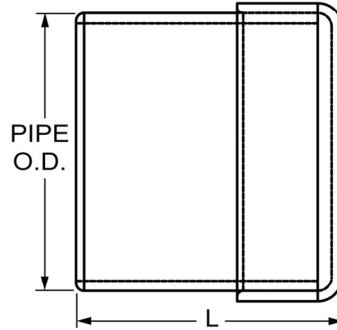
Part Number	Size	L	Approx. Wt. (Lbs.)
3749-060	6	7-1/4	3.48
3749-080	8	8-1/4	5.96
3749-100	10	9-3/4	10.94
3749-120	12	11-1/8	17.18
3749-140	14	13-3/4	21.56
3749-160	16	14-1/2	32.07



Fabricated Fittings Technical
PVC Schedule 40 & 80 Low Pressure Fabricated Fittings

Spigot Plug SCH 80

Spigot



Part Number	Size	L	Approx. Wt. (Lbs.)
3949-060	6	7-1/4	4.05
3949-080	8	8-1/4	9.40
3949-100	10	9-3/4	4.66
3949-120	12	11-1/8	22.50
3949-140	14	13-1/8	28.27
3949-160	16	14-1/2	15.49