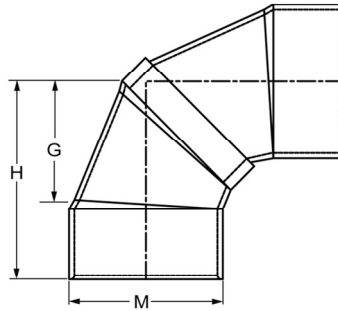


Fabricated Fittings Technical  
**PVC Schedule 40 & 80 Low Pressure Fabricated Fittings**



**90° Elbow SCH 40**

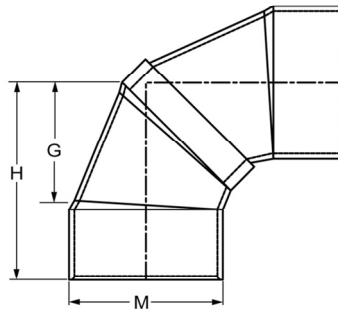
Socket x Socket



| Part Number | Size | G        | H        | M       | Approx. Wt. (Lbs.) |
|-------------|------|----------|----------|---------|--------------------|
| 3706-060    | 6    | 6-5/16   | 9-9/16   | 7-3/16  | 5.90               |
| 3706-080    | 8    | 7-11/16  | 11-15/16 | 9-1/4   | 11.01              |
| 3706-100    | 10   | 9-13/16  | 15-1/6   | 11-1/2  | 17.51              |
| 3706-120    | 12   | 11-3/16  | 17-7/16  | 13-9/16 | 29.81              |
| 3706-140    | 14   | 13-3/16  | 20-3/16  | 14-7/8  | 41.54              |
| 3706-160    | 16   | 15-1/4   | 23-1/4   | 17      | 59.37              |
| 3706-180    | 18   | 17-5/16  | 26-5/16  | 19-1/8  | 82.00              |
| 3706-200    | 20   | 19-13/16 | 29-13/16 | 22-1/16 | 131.93             |
| 3706-240    | 24   | 23-7/16  | 35-7/16  | 25-3/8  | 172.90             |

**90° Elbow SCH 80**

Socket x Socket



| Part Number | Size | G        | H        | M        | Approx. Wt. (Lbs.) |
|-------------|------|----------|----------|----------|--------------------|
| 3906-060    | 6    | 6-7/16   | 9-11/16  | 7-1/2    | 9.29               |
| 3906-080    | 8    | 7-7/8    | 12-1/8   | 9-5/8    | 13.62              |
| 3906-100    | 10   | 10       | 15-1/4   | 11-15/16 | 30.83              |
| 3906-120    | 12   | 11-1/2   | 17-3/4   | 14-1/8   | 45.85              |
| 3906-140    | 14   | 13-1/2   | 20-1/2   | 15-1/2   | 70.94              |
| 3906-160    | 16   | 15-9/16  | 23-9/16  | 17-11/16 | 101.70             |
| 3906-180    | 18   | 17-11/16 | 26-11/16 | 19-7/8   | 164.83             |
| 3906-200    | 20   | 19-13/16 | 29-13/16 | 22-1/16  | 193.41             |
| 3906-240    | 24   | 24       | 36       | 26-7/16  | 324.00             |