

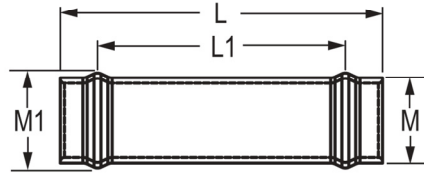
Fabricated Fittings Technical
PVC Schedule 40 & 80 Low Pressure Fabricated Fittings



Repair Coupling SCH 80

(Continued)

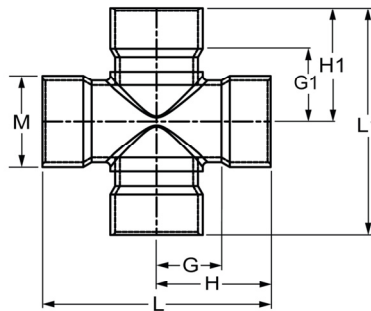
Gasket x Gasket



Part Number	Size	L	L1	M	M1	Approx. Wt. (Lbs.)
3928-240	24	32	23-1/2	26-7/16	28-13/16	142.50

Cross SCH 40

Socket x Socket x Socket x Socket



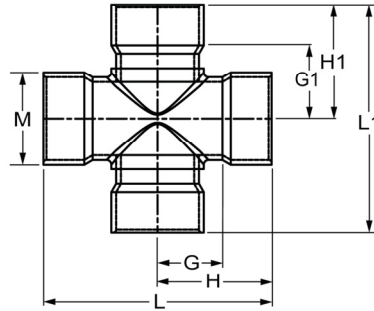
Part Number	Size	G	G1	H	H1	L	L1	M	Approx. Wt. (Lbs.)
3720-060	6	6-3/16	6-3/16	9-7/16	9-7/16	18-7/8	18-7/8	7-3/16	9.74
3720-080	8	7-5/16	7-5/16	11-9/16	11-9/16	23-1/8	23-1/8	9-1/4	17.62
3720-100	10	9	8-3/8	14-1/4	13-5/8	28-1/2	27-1/4	11-1/2	28.87
3720-120	12	11-1/4	10-3/16	17-1/2	16-7/16	35	32-7/8	13-9/16	44.72
3720-140	14	11	11	18	18	36	36	14-7/8	64.38
3720-160	16	12-7/8	12-7/8	20-7/8	20-7/8	41-3/4	41-3/4	17	90.35
3720-180	18	13-3/8	13-3/8	22-3/8	22-3/8	44-3/4	44-3/4	19-1/8	127.72
3720-200	20	15-1/2	15-7/16	25-1/2	25-7/16	51	50-7/8	21-3/16	161.18
3720-240	24	17-1/2	17-1/2	29-1/2	29-1/2	59	59	25-3/8	263.04



Fabricated Fittings Technical
PVC Schedule 40 & 80 Low Pressure Fabricated Fittings

Cross SCH 80

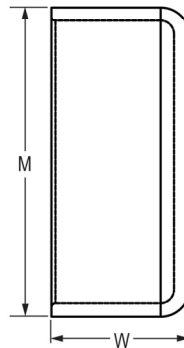
Socket x Socket x Socket x Socket



Part Number	Size	G	G1	H	H1	L	L1	M	Approx. Wt. (Lbs.)
3920-060	6	6-1/4	6-1/4	9-1/2	9-1/2	19	19	7-1/2	15.05
3920-080	8	7-5/8	7-5/8	11-7/8	11-7/8	23-3/4	23-3/4	9-5/8	21.20
3920-100	10	9	9	14-1/4	14-1/4	28-1/2	28-1/2	11-15/16	49.81
3920-120	12	11-1/4	11-1/4	17-1/2	17-1/2	35	35	14-1/8	86.58
3920-140	14	12-1/4	12-1/4	19-1/4	19-1/4	38-1/2	38-1/2	15-1/2	115.49
3920-160	16	13	13	21	21	42	42	17-11/16	156.80
3920-180	18	13-3/4	13-3/4	22-3/4	22-3/4	45-1/2	45-1/2	19-7/8	215.34
3920-200	20	16-3/8	16-3/8	26-3/8	26-3/8	52-3/4	52-3/4	22-1/16	306.39
3920-240	24	20-1/4	20-1/4	32-1/4	32-1/4	64-1/2	64-1/2	26-7/16	527.12

Cap SCH 40

Socket



Part Number	Size	M	W	Approx. Wt. (Lbs.)
3747-100	10	11-9/16	3-3/4	4.11
3747-120	12	13-9/16	4-1/8	5.77
3747-140	14	14-13/16	5-3/4	8.37
3747-160	16	17-1/8	5-1/2	12.40
3747-180	18	18-7/8	5-7/8	12.68
3747-200	20	21-3/16	6-7/8	19.27
3747-240	24	25-3/16	6-1/2	28.06