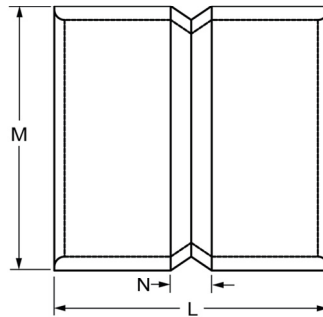


Fabricated Fittings Technical
PVC Schedule 40 & 80 Low Pressure Fabricated Fittings



Coupling SCH 40

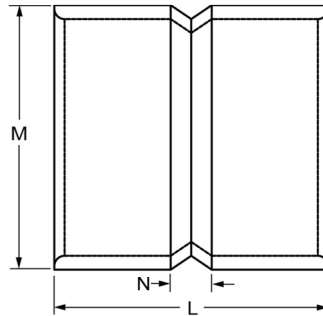
Socket x Socket



| Part Number | Size | L | M | N | Approx. Wt. (Lbs.) |
|-------------|------|--------|---------|-------|--------------------|
| 3729-080 | 8 | 10 | 9-1/4 | 1-1/2 | 4.73 |
| 3729-100 | 10 | 12-3/8 | 11-1/2 | 1-7/8 | 8.39 |
| 3729-120 | 12 | 14-3/4 | 13-9/16 | 2-1/4 | 13.25 |
| 3729-140 | 14 | 16-1/4 | 14-7/8 | 2-1/4 | 17.65 |
| 3729-160 | 16 | 18-5/8 | 17 | 2-5/8 | 27.00 |
| 3729-180 | 18 | 21-3/4 | 19-1/8 | 3-3/4 | 38.65 |
| 3729-200 | 20 | 24 | 21-3/16 | 4 | 49.22 |
| 3729-240 | 24 | 29-1/4 | 25-3/8 | 5-1/4 | 82.20 |

Coupling SCH 80

Socket x Socket



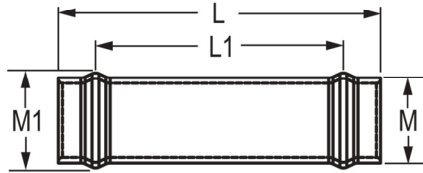
| Part Number | Size | L | M | N | Approx. Wt. (Lbs.) |
|-------------|------|--------|----------|-------|--------------------|
| 3929-080 | 8 | 10 | 9-5/8 | 1-1/2 | 6.05 |
| 3929-100 | 10 | 12-1/2 | 11-15/16 | 2 | 13.94 |
| 3929-120 | 12 | 14-1/4 | 14-1/8 | 1-3/4 | 21.80 |
| 3929-140 | 14 | 16-1/4 | 15-1/2 | 2-1/4 | 29.69 |
| 3929-160 | 16 | 18-5/8 | 17-11/16 | 2-5/8 | 42.37 |
| 3929-180 | 18 | 22 | 19-7/8 | 4 | 67.00 |
| 3929-200 | 20 | 23-3/4 | 22-1/16 | 3-3/4 | 84.73 |
| 3929-240 | 24 | 29-1/4 | 26-7/16 | 5-1/4 | 147.22 |



Fabricated Fittings Technical
PVC Schedule 40 & 80 Low Pressure Fabricated Fittings

Repair Coupling SCH 40

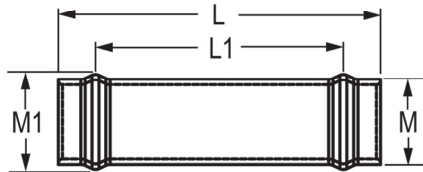
Gasket x Gasket



| Part Number | Size | L | L1 | M | M1 | Approx. Wt. (Lbs.) |
|-------------|------|--------|--------|---------|----------|--------------------|
| 3728-040 | 4 | 19-1/2 | 15 | 5 | 5-5/8 | 4.18 |
| 3728-060 | 6 | 23 | 18-1/4 | 7-3/16 | 7-13/16 | 8.33 |
| 3728-080 | 8 | 26-1/8 | 21-1/2 | 9-1/16 | 9-13/16 | 14.00 |
| 3728-100 | 10 | 27 | 22-1/8 | 11-1/2 | 12-11/16 | 20.94 |
| 3728-120 | 12 | 28-1/4 | 22-5/8 | 13-9/16 | 14-13/16 | 28.48 |
| 3728-140 | 14 | 30 | 21-1/2 | 14-7/8 | 16-3/8 | 36.67 |
| 3728-160 | 16 | 31 | 24 | 17 | 18-1/2 | 49.66 |
| 3728-180 | 18 | 32 | 22-5/8 | 19-1/8 | 20-7/8 | 48.83 |
| 3728-200 | 20 | 32 | 23-1/2 | 21-3/16 | 22-3/16 | 66.97 |
| 3728-240 | 24 | 32 | 23-1/2 | 21-3/8 | 23-3/4 | 82.20 |

Repair Coupling SCH 80

Gasket x Gasket



| Part Number | Size | L | L1 | M | M1 | Approx. Wt. (Lbs.) |
|-------------|------|--------|--------|----------|---------|--------------------|
| 3928-040 | 4 | 19-1/2 | 15 | 5-3/16 | 5-3/4 | 5.68 |
| 3928-060 | 6 | 23 | 18-1/4 | 7-1/2 | 8-1/8 | 12.61 |
| 3928-080 | 8 | 26-1/8 | 19 | 9-5/8 | 10-3/8 | 21.38 |
| 3928-100 | 10 | 28 | 21-3/4 | 11-15/16 | 13-1/8 | 33.00 |
| 3928-120 | 12 | 29 | 21-3/8 | 14-1/8 | 15-3/8 | 49.16 |
| 3928-140 | 14 | 30 | 21 | 15-1/2 | 17-1/4 | 62.11 |
| 3928-160 | 16 | 31 | 22-1/4 | 17-11/16 | 18-7/8 | 75.99 |
| 3928-180 | 18 | 32 | 22-5/8 | 19-7/8 | 21-7/8 | 73.10 |
| 3928-200 | 20 | 32 | 23-1/2 | 22-1/16 | 24-1/16 | 113.21 |

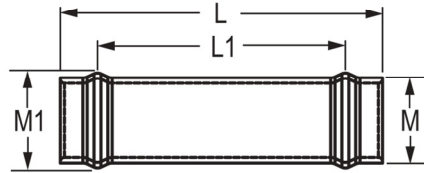
Fabricated Fittings Technical
PVC Schedule 40 & 80 Low Pressure Fabricated Fittings



Repair Coupling SCH 80

(Continued)

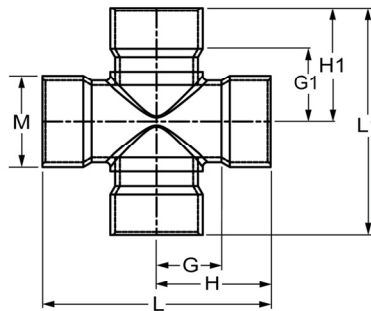
Gasket x Gasket



| Part Number | Size | L | L1 | M | M1 | Approx. Wt. (Lbs.) |
|-------------|------|----|--------|---------|----------|--------------------|
| 3928-240 | 24 | 32 | 23-1/2 | 26-7/16 | 28-13/16 | 142.50 |

Cross SCH 40

Socket x Socket x Socket x Socket



| Part Number | Size | G | G1 | H | H1 | L | L1 | M | Approx. Wt. (Lbs.) |
|-------------|------|--------|---------|---------|---------|--------|--------|---------|--------------------|
| 3720-060 | 6 | 6-3/16 | 6-3/16 | 9-7/16 | 9-7/16 | 18-7/8 | 18-7/8 | 7-3/16 | 9.74 |
| 3720-080 | 8 | 7-5/16 | 7-5/16 | 11-9/16 | 11-9/16 | 23-1/8 | 23-1/8 | 9-1/4 | 17.62 |
| 3720-100 | 10 | 9 | 8-3/8 | 14-1/4 | 13-5/8 | 28-1/2 | 27-1/4 | 11-1/2 | 28.87 |
| 3720-120 | 12 | 11-1/4 | 10-3/16 | 17-1/2 | 16-7/16 | 35 | 32-7/8 | 13-9/16 | 44.72 |
| 3720-140 | 14 | 11 | 11 | 18 | 18 | 36 | 36 | 14-7/8 | 64.38 |
| 3720-160 | 16 | 12-7/8 | 12-7/8 | 20-7/8 | 20-7/8 | 41-3/4 | 41-3/4 | 17 | 90.35 |
| 3720-180 | 18 | 13-3/8 | 13-3/8 | 22-3/8 | 22-3/8 | 44-3/4 | 44-3/4 | 19-1/8 | 127.72 |
| 3720-200 | 20 | 15-1/2 | 15-7/16 | 25-1/2 | 25-7/16 | 51 | 50-7/8 | 21-3/16 | 161.18 |
| 3720-240 | 24 | 17-1/2 | 17-1/2 | 29-1/2 | 29-1/2 | 59 | 59 | 25-3/8 | 263.04 |