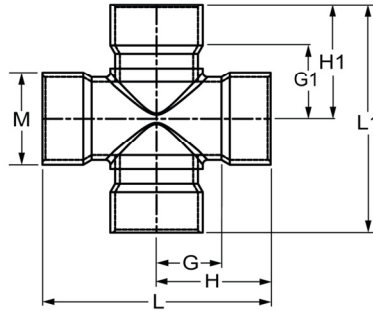




**Fabricated Fittings Technical**  
**PVC Schedule 40 & 80 Low Pressure Fabricated Fittings**

**Cross SCH 80**

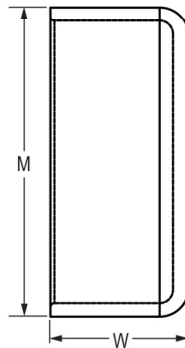
Socket x Socket x Socket x Socket



Part Number	Size	G	G1	H	H1	L	L1	M	Approx. Wt. (Lbs.)
<a href="#">3920-060</a>	6	6-1/4	6-1/4	9-1/2	9-1/2	19	19	7-1/2	15.05
<a href="#">3920-080</a>	8	7-5/8	7-5/8	11-7/8	11-7/8	23-3/4	23-3/4	9-5/8	21.20
<a href="#">3920-100</a>	10	9	9	14-1/4	14-1/4	28-1/2	28-1/2	11-15/16	49.81
<a href="#">3920-120</a>	12	11-1/4	11-1/4	17-1/2	17-1/2	35	35	14-1/8	86.58
<a href="#">3920-140</a>	14	12-1/4	12-1/4	19-1/4	19-1/4	38-1/2	38-1/2	15-1/2	115.49
<a href="#">3920-160</a>	16	13	13	21	21	42	42	17-11/16	156.80
<a href="#">3920-180</a>	18	13-3/4	13-3/4	22-3/4	22-3/4	45-1/2	45-1/2	19-7/8	215.34
<a href="#">3920-200</a>	20	16-3/8	16-3/8	26-3/8	26-3/8	52-3/4	52-3/4	22-1/16	306.39
<a href="#">3920-240</a>	24	20-1/4	20-1/4	32-1/4	32-1/4	64-1/2	64-1/2	26-7/16	527.12

**Cap SCH 40**

Socket



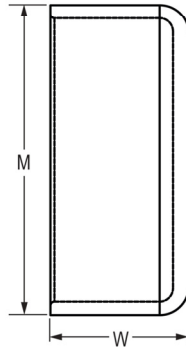
Part Number	Size	M	W	Approx. Wt. (Lbs.)
<a href="#">3747-100</a>	10	11-9/16	3-3/4	4.11
<a href="#">3747-120</a>	12	13-9/16	4-1/8	5.77
<a href="#">3747-140</a>	14	14-13/16	5-3/4	8.37
<a href="#">3747-160</a>	16	17-1/8	5-1/2	12.40
<a href="#">3747-180</a>	18	18-7/8	5-7/8	12.68
<a href="#">3747-200</a>	20	21-3/16	6-7/8	19.27
<a href="#">3747-240</a>	24	25-3/16	6-1/2	28.06

Fabricated Fittings Technical  
**PVC Schedule 40 & 80 Low Pressure Fabricated Fittings**



**Cap SCH 80**

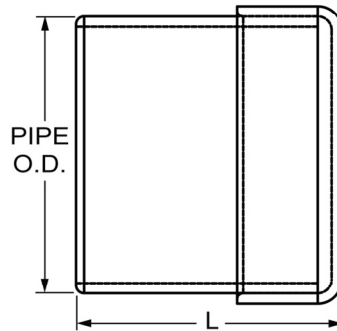
Socket



Part Number	Size	M	W	Approx. Wt. (Lbs.)
<a href="#">3947-100</a>	10	11-9/16	3-3/4	3.63
<a href="#">3947-120</a>	12	13-9/16	4-1/8	5.74
<a href="#">3947-140</a>	14	14-7/8	5-1/8	8.06
<a href="#">3947-160</a>	16	17-1/8	5-1/2	11.89
<a href="#">3947-180</a>	18	18-7/8	5-7/8	11.67
<a href="#">3947-200</a>	20	21-3/16	6-7/8	18.54
<a href="#">3947-240</a>	24	25-3/16	7	30.00

**Spigot Plug SCH 40**

Spigot



Part Number	Size	L	Approx. Wt. (Lbs.)
<a href="#">3749-060</a>	6	7-1/4	3.48
<a href="#">3749-080</a>	8	8-1/4	5.96
<a href="#">3749-100</a>	10	9-3/4	10.94
<a href="#">3749-120</a>	12	11-1/8	17.18
<a href="#">3749-140</a>	14	13-3/4	21.56
<a href="#">3749-160</a>	16	14-1/2	32.07