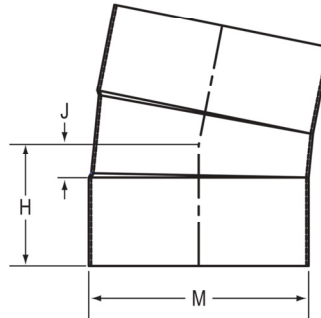




**Fabricated Fittings Technical**  
**PVC Low Head PIP Fabricated Fittings, Risers & Accessories**

**Low Head PIP 11-1/4° Elbow**

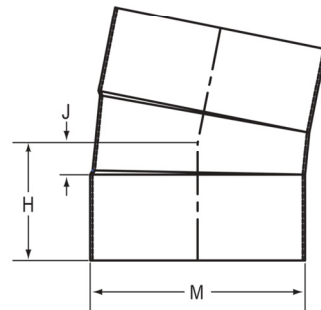
Socket x Socket



Part Number	Size	H	J	M	Approx. Wt. (Lbs.)
<a href="#">280-100114</a>	6	3-7/16	15/16	6-1/4	.61
<a href="#">280-100115</a>	8	4-1/16	1-1/16	8-5/16	1.16
<a href="#">280-100116</a>	10	5-3/8	1-3/8	10-7/16	2.37
<a href="#">280-100117</a>	12	6-1/2	1-1/2	12-1/2	3.72
<a href="#">280-100118</a>	15	7-1/4	2-1/4	15-5/8	6.21
<a href="#">280-100119</a>	18	8-11/16	2-11/16	18-3/4	10.04
<a href="#">280-100120</a>	20	9-1/16	3-1/16	20-13/16	13.19

**Low Head PIP 15° Elbow**

Socket x Socket



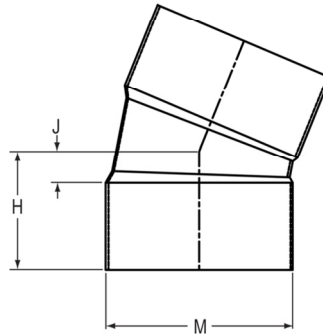
Part Number	Size	H	J	M	Approx. Wt. (Lbs.)
<a href="#">280-100234</a>	6	3-9/16	1-1/16	6-1/4	.74
<a href="#">280-100235</a>	8	4-3/16	1-3/16	8-5/16	1.18
<a href="#">280-100236</a>	10	5-9/16	1-9/16	10-7/16	2.35
<a href="#">280-100237</a>	12	6-11/16	1-11/16	12-1/2	3.87
<a href="#">280-100238</a>	15	7-9/16	2-9/16	15-5/8	6.01
<a href="#">280-100239</a>	18	9	3	18-3/4	11.22
<a href="#">280-100240</a>	20	9-3/8	3-3/8	20-13/16	13.61

**Fabricated Fittings Technical**  
**PVC Low Head PIP Fabricated Fittings, Risers & Accessories**



**Low Head PIP 22-1/2° Elbow**

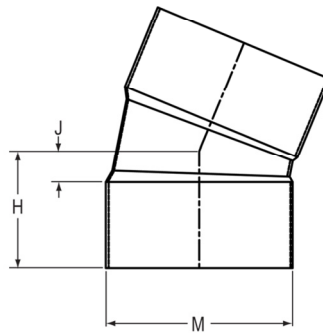
Socket x Socket



Part Number	Size	H	J	M	Approx. Wt. (Lbs.)
<a href="#">280-100354</a>	6	3-3/4	1-1/4	6-1/4	.66
<a href="#">280-100355</a>	8	4-7/16	1-7/16	8-5/16	1.21
<a href="#">280-100356</a>	10	5-15/16	1-15/16	10-7/16	2.42
<a href="#">280-100357</a>	12	7-1/8	2-1/8	12-1/2	3.74
<a href="#">280-100358</a>	15	8-1/16	3-1/16	15-5/8	6.76
<a href="#">280-100359</a>	18	9-5/8	3-5/8	18-3/4	12.18
<a href="#">280-100360</a>	20	10-1/8	4-1/8	20-12/16	14.69

**Low Head PIP 30° Elbow**

Socket x Socket



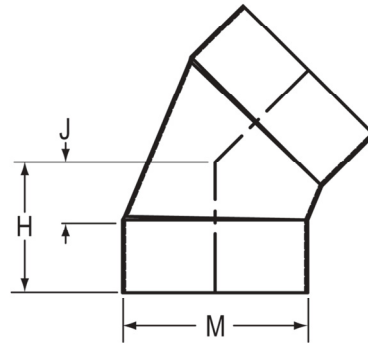
Part Number	Size	H	J	M	Approx. Wt. (Lbs.)
<a href="#">280-100474</a>	6	4	1-1/2	6-1/4	.63
<a href="#">280-100475</a>	8	4-3/4	1-3/4	8-5/16	1.25
<a href="#">280-100476</a>	10	6-5/16	2-5/16	10-7/16	2.77
<a href="#">280-100477</a>	12	7-9/16	2-9/16	12-1/2	3.78
<a href="#">280-100478</a>	15	8-5/8	3-5/8	15-5/8	7.22
<a href="#">280-100479</a>	18	10-5/16	4-5/16	18-3/4	11.03
<a href="#">280-100480</a>	20	10-7/8	4-7/8	20-13/16	15.52



**Fabricated Fittings Technical**  
**PVC Low Head PIP Fabricated Fittings, Risers & Accessories**

**Low Head PIP 45° Elbow**

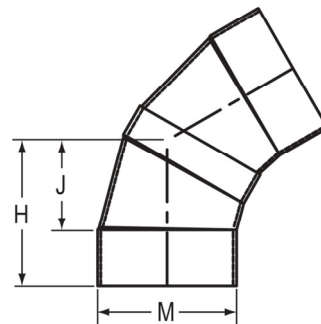
Socket x Socket



Part Number	Size	H	J	M	Approx. Wt. (Lbs.)
<a href="#">280-100592</a>	6	4-1/2	2	6-1/4	.72
<a href="#">280-100593</a>	8	5-3/8	2-3/8	8-5/16	1.32
<a href="#">280-100594</a>	10	7-1/8	3-1/8	10-7/16	2.88
<a href="#">280-100595</a>	12	8-9/16	3-9/16	12-1/2	4.58
<a href="#">280-100596</a>	15	9-7/8	4-7/8	15-5/8	8.03
<a href="#">280-100597</a>	18	11-3/4	5-3/4	18-3/4	12.77
<a href="#">280-100598</a>	20	12-1/2	6-1/2	20-13/16	17.73

**Low Head PIP 60° Elbow**

Socket x Socket



Part Number	Size	H	J	M	Approx. Wt. (Lbs.)
<a href="#">280-100702</a>	6	6-9/16	4-1/16	6-1/4	2.15
<a href="#">280-100703</a>	8	7-15/16	4-15/16	8-5/16	2.15
<a href="#">280-100704</a>	10	10-3/8	6-3/8	10-7/16	4.33
<a href="#">280-100705</a>	12	12	7	12-1/2	7.33
<a href="#">280-100706</a>	15	14-5/16	9-5/16	15-5/8	12.92
<a href="#">280-100707</a>	18	17-1/16	11-1/16	18-3/4	19.47
<a href="#">280-100708</a>	20	18-9/16	12-9/16	20-13/16	45.57