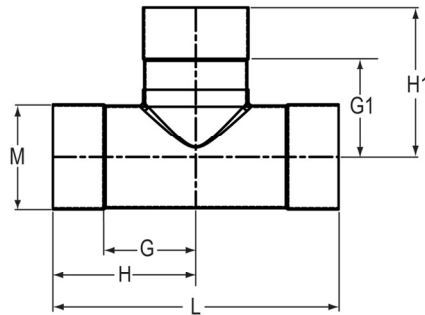


Fabricated Fittings Technical
PVC Low Head PIP Fabricated Fittings, Risers & Accessories



Low Head PIP Tee

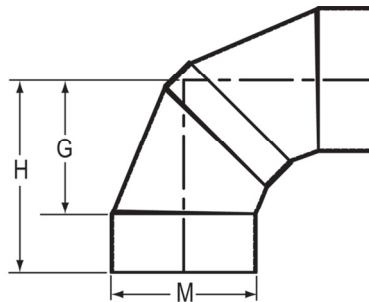
Socket x Socket x Socket



Part Number	Size	G	G1	H	H1	L	M	Approx. Wt. (Lbs.)
280-102502	6	5-1/2	5-7/8	8-1/2	8-7/8	17	6-1/4	1.87
280-102507	8	6-9/16	6-13/16	10-9/16	10-13/16	21-1/8	8-5/16	3.43
280-102513	10	7-9/16	8-13/16	12-9/16	13-13/16	25-1/8	10-7/16	7.02
280-102520	12	8-11/16	9-13/16	13-11/16	14-13/16	27-3/8	12-1/2	10.39
280-102528	15	11-15/16	12-5/16	16-15/16	17-5/16	33-7/8	15-5/8	17.00
280-102537	18	13-9/16	13-13/16	19-9/16	19-13/16	39-1/8	18-3/4	29.27
280-102547	20	15	15-13/16	21-1/2	21-13/16	43	20-13/16	38.85

Low Head PIP 90° Elbow

Socket x Socket



Part Number	Size	G	H	M	Approx. Wt. (Lbs.)
280-100812	6	5-13/16	8-5/16	6-1/4	1.34
280-100813	8	7-3/16	10-3/16	8-5/16	2.40
280-100814	10	9-1/4	13-1/4	10-7/16	4.84
280-100815	12	10-5/16	15-5/16	12-1/2	7.75
280-100816	15	13-1/2	18-1/2	15-5/8	14.09
280-100817	18	16-1/16	22-1/16	18-3/4	24.77
280-100818	20	18-3/16	24-3/16	20-13/16	29.86