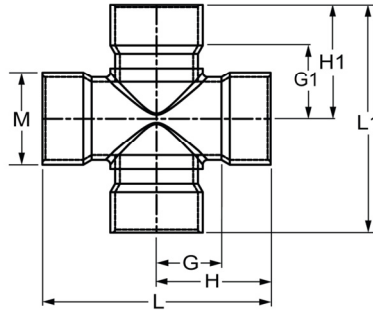




Fabricated Fittings Technical
PVC Schedule 40 & 80 DWV Fabricated Fittings

Cross SCH 80

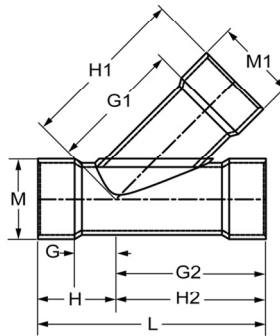
Socket x Socket x Socket x Socket



Part Number	Size	G	G1	H	H1	L	L1	M	Approx. Wt. (Lbs.)
3920-060	6	6-1/4	6-1/4	9-1/2	9-1/2	19	19	7-1/2	15.05
3920-080	8	7-5/8	7-5/8	11-7/8	11-7/8	23-3/4	23-3/4	9-5/8	21.20
3920-100	10	9	9	14-1/4	14-1/4	28-1/2	28-1/2	11-15/16	49.81
3920-120	12	11-1/4	11-1/4	17-1/2	17-1/2	35	35	14-1/8	86.58
3920-140	14	12-1/4	12-1/4	19-1/4	19-1/4	38-1/2	38-1/2	15-1/2	115.49
3920-160	16	13	13	21	21	42	42	17-11/16	156.80
3920-180	18	13-3/4	13-3/4	22-3/4	22-3/4	45-1/2	45-1/2	19-7/8	215.34
3920-200	20	16-3/8	16-3/8	26-3/8	26-3/8	52-3/4	52-3/4	22-1/16	306.39
3920-240	24	20-1/4	20-1/4	32-1/4	32-1/4	64-1/2	64-1/2	26-7/16	527.12

Wye SCH 40

Socket x Socket x Socket



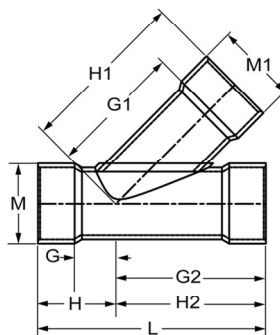
Part Number	Size	G	G1	G2	H	H1	H2	L	M	M1	Approx. Wt. (Lbs.)
3775-080	8	5-5/8	14-5/16	14-5/16	9-7/8	18-9/16	18-9/16	28-7/16	9- 1/4	9- 1/4	19.38
3775-100	10	6-9/16	17-1/4	17-1/4	11-13/16	22-1/2	22-1/2	34-5/16	11- 1/2	11- 1/2	31.27
3775-120	12	7-5/16	20-1/16	20-1/16	13-9/16	26-5/16	26-5/16	39-7/8	13-9/16	13-9/16	47.70
3775-140	14	7-3/16	21-3/16	21-3/16	14-3/16	28-3/16	28-3/16	42-3/8	14-7/8	14-7/8	62.40
3775-160	16	8-3/4	24-3/4	24-3/4	16-3/4	32-3/4	32-3/4	49-1/2	17	17	96.80
3775-180	18	9-7/16	27-7/16	27-7/16	18-7/16	36-7/16	36-7/16	54-7/8	19-1/8	19-1/8	130.11
3775-200	20	11-7/16	30-5/16	30-5/16	21-7/16	40-5/16	40-5/16	61-3/4	21-3/16	21-3/16	179.19
3775-240	24	11	35	35	23	47	47	70- 1/2	25- 3/8	25-3/8	281.00

Fabricated Fittings Technical
PVC Schedule 40 & 80 DWV Fabricated Fittings



Wye SCH 80

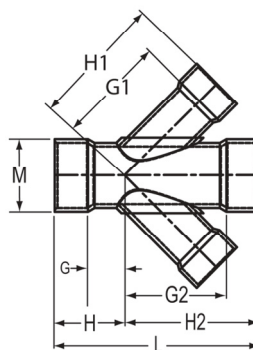
Socket x Socket x Socket



Part Number	Size	G	G1	G2	H	H1	H2	L	M	M1	Approx. Wt. (Lbs.)
3975-020	2	3-7/8	6-1/4	6-1/4	5-7/16	7-13/16	7-13/16	13-1/4	2-7/8	2-7/8	2.09
3975-030	3	4-3/4	8-1/4	8-1/4	6-5/8	10-3/16	10-3/16	16-13/16	4-3/16	4-3/16	5.52
3975-040	4	4-11/16	9-3/16	9-3/16	6-15/16	11-7/16	11-7/16	18-3/8	5-3/16	5-3/16	6.67
3975-060	6	4-15/16	12-5/8	11-9/16	8-3/16	15-7/8	14-13/16	23	7-1/2	7-1/2	15.77
3975-080	8	5-1/16	15-7/8	13-11/16	9-5/16	20-1/8	17-15/16	27-1/4	9-5/8	9-5/8	28.50
3975-100	10	6-1/2	18-7/8	17-1/4	11-3/4	24-1/8	22-1/2	34-1/4	11-15/16	11-15/16	53.98
3975-120	12	7-1/8	21-3/16	19-7/8	13-3/8	28-1/16	26-1/8	39-1/2	14-1/8	14-1/8	89.81
3975-140	14	9-13/16	23-13/16	23-13/16	16-13/16	30-13/16	30-13/16	47-5/8	15-1/2	15-1/2	116.93
3975-160	16	10-1/18	26-1/18	26-1/18	18-1/8	34-1/8	34-1/8	52-1/4	17-11/16	17-11/16	164.14
3975-180	18	10	29-3/8	28	19	38-3/8	37	56	19-7/8	19-7/8	227.53
3975-200	20	11-5/8	31-5/8	31-5/8	21-5/8	41-5/8	41-5/8	63-1/4	22-1/16	21-1/16	290.99
3975-240	24	14-1/4	38-1/4	38-1/4	26-1/4	50-1/4	50-1/4	76-1/2	26-7/16	26-7/16	617.50

Double Wye SCH 40

Socket x Socket x Socket x Socket



Part Number	Size	G	G1	G2	H	H1	H2	L	M	Approx. Wt. (Lbs.)
3776-060	6	4-7/8	11-1/2	11-1/2	8-1/8	14-3/4	14-3/4	22-7/8	7-3/16	12.98
3776-080	8	5-5/8	14-5/16	14-5/16	9-7/8	18-9/16	18-9/16	28-7/16	9-1/4	24.22
3776-100	10	6-9/16	6-9/16	17-1/4	11-13/16	22-1/2	22-1/2	34-5/16	11-1/2	41.43
3776-120	12	20-1/16	20-1/16	20-1/16	13-9/16	26-5/16	26-5/16	39-7/8	13-9/16	63.77
3776-140	14	7-3/16	21-3/16	21-3/16	14-3/16	28-3/16	28-3/16	42-3/8	14-7/8	81.80
3776-160	16	8-3/4	24-3/4	24-3/4	16-3/4	32-3/4	32-3/4	49-1/2	17	131.64
3776-180	18	9-7/16	27-7/16	27-7/16	18-7/16	36-7/16	36-7/16	54-7/8	19-1/8	186.98

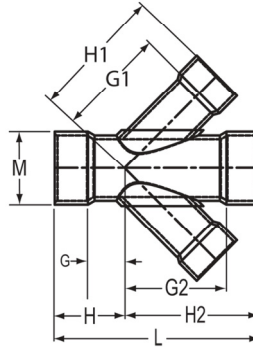


Fabricated Fittings Technical
PVC Schedule 40 & 80 DWV Fabricated Fittings

Double Wye SCH 40

(Continued)

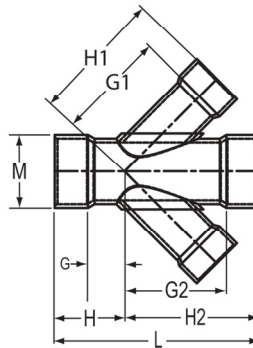
Socket x Socket x Socket x Socket



Part Number	Size	G	G1	G2	H	H1	H2	L	M	Approx. Wt. (Lbs.)
3776-200	20	11-7/16	30-5/16	30-5/16	21-7/16	40-5/16	40-5/16	61-3/4	21-3/16	237.79
3776-240	24	11	35	35	23	47	47	70	25-3/8	471.12

Double Wye SCH 80

Socket x Socket x Socket x Socket



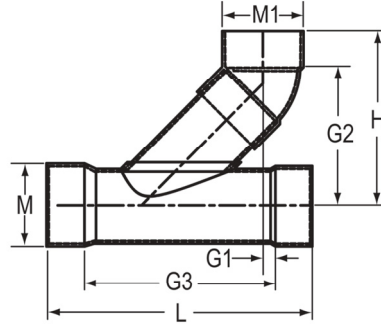
Part Number	Size	G	G1	G2	H	H1	H2	L	M	Approx. Wt. (Lbs.)
3976-060	6	4-15/16	12-5/8	11-9/16	8-3/16	15-7/8	14-13/16	23	7-1/2	20.36
3976-080	8	5-1/16	15-7/8	13-11/16	9-5/16	20-1/8	17-15/16	27-1/4	9-5/8	36.94
3976-100	10	6-1/2	18-7/8	17-1/4	11-3/4	24-1/8	22-1/2	34-1/4	11-15/16	65.46
3976-120	12	7-1/8	21-13/16	19-7/8	13-3/8	28-1/16	26-1/8	39-1/2	14-1/8	115.90
3976-140	14	9-13/16	23-13/16	23-13/16	16-13/16	30-13/16	30-13/16	47-5/8	15-1/2	158.39
3976-160	16	10-1/8	26-1/8	26-1/8	18-1/8	34-1/8	34-1/8	52-1/4	17-11/16	212.20
3976-180	18	10	29-3/8	28	19	38-3/8	37	56	19-7/8	231.41
3976-200	20	11-5/8	31-5/8	31-5/8	21-5/8	41-5/8	41-5/8	63-1/4	22-1/16	399.59
3976-240	24	14-1/4	38-1/4	38-1/4	26-1/4	50-1/4	50-1/4	76-1/2	26-7/16	617.50

Fabricated Fittings Technical
PVC Schedule 40 & 80 DWV Fabricated Fittings



Combo Wye SCH 40

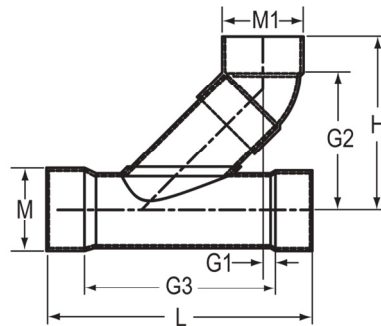
Socket x Socket x Socket



Part Number	Size	G1	G2	G3	H	L	M	M1	Approx. Wt. (Lbs.)
3777-060	6	15/16	12-9/16	16-3/8	15-5/8	22-7/8	7-3/16	7-1/4	13.10
3777-080	8	1/8	16-1/8	19-15/16	20-3/16	28-7/16	9-1/4	9-3/8	24.05
3777-100	10	3/16	24-1/8	23-13/16	29-3/8	34-5/16	11-1/2	11-1/2	41.85
3777-120	12	5/16	27-3/4	27-3/8	33-3/4	39-7/8	13-9/16	13-9/16	62.94
3777-140	14	1-1/4	29-5/16	28-3/8	36-5/16	42-3/8	14-7/8	14-7/8	79.27
3777-160	16	7/8	33	33-1/2	41	49-1/2	17	17	120.03
3777-180	18	1-3/8	36-9/16	36-7/8	45-9/16	54-7/8	19-1/8	19-1/8	169.38
3777-200	20	1-13/16	41-7/16	41-3/4	51-7/16	61-3/4	21-3/16	21-3/16	193.05
3777-240	24	4-5/16	50-5/16	46	62-5/16	70	25-3/8	25-3/8	359.69

Combo Wye SCH 80

Socket x Socket x Socket



Part Number	Size	G1	G2	G3	H	L	M	M1	Approx. Wt. (Lbs.)
3977-060	6	1-3/8	11-15/16	16-1/2	14-15/16	23	7-1/2	7-9/16	20.48
3977-080	8	3/8	15-3/8	18-3/4	19-3/8	27-1/4	9-5/8	9-3/4	37.52
3977-100	10	15/16	22-9/16	23-3/4	27-13/16	34-1/4	11-15/16	11-15/16	64.76
3977-120	12	7/16	26-7/16	27	32-11/16	39-1/2	14-1/8	14-1/8	99.58
3977-140	14	2-1/2	28-9/16	33-5/8	35-9/16	47-5/8	15-1/2	15-1/2	141.89
3977-160	16	1-11/16	32-3/16	36-1/4	40-3/16	52-1/4	17-11/16	17-11/16	121.14
3977-180	18	1/2	35-7/8	38	44-7/8	56	19-7/8	19-7/8	279.15
3977-200	20	1	39-9/16	43-1/4	49-9/16	63-1/4	22-1/16	22-1/16	399.59
3977-240	24	1-7/16	47-3/8	52-1/2	59-3/8	76-1/2	26-7/16	26-7/16	617.50