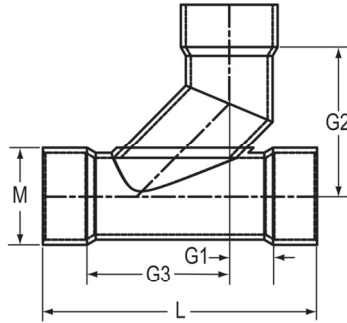




Fabricated Fittings Technical
PVC Schedule 40 & 80 DWV Fabricated Fittings

Sanitary Tee SCH 40

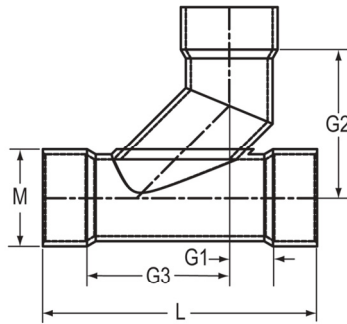
Socket x Socket x Socket



Part Number	Size	G1	G2	G3	H	L	M	Approx. Wt. (Lbs.)
3790-060	6	4-3/16	11-15/16	12-3/16	15-3/16	22-7/8	7-3/16	11.51
3790-080	8	405/8	15-3/16	15-5/16	19-7/16	28-7/16	9-1/4	21.24
3790-100	10	6-9/16	19-1/8	17-1/4	24-3/8	34-5/16	11-1/2	37.03
3790-120	12	5-5/8	21-13/16	21-3/4	28-1/16	39-7/8	13-9/16	55.83
3790-140	14	5-5/16	22-3/4	23-1/16	29-3/4	42-3/8	14-7/8	71.47
3790-160	16	6-5/8	25-1/2	26-7/8	33-1/2	49-1/2	17	105.59
3790-180	18	7-1/16	28-1/16	29-13/16	37-1/16	54-7/8	19-1/8	151.87
3790-200	20	7-9/16	32-1/16	34-3/16	42-1/16	61-3/4	21-3/16	236.40
3790-240	24	7-11/16	37-13/16	38-5/16	49-13/16	70	25-3/8	320.99

Sanitary Tee SCH 80

Socket x Socket x Socket



Part Number	Size	G1	G2	G3	H	L	M	Approx. Wt. (Lbs.)
3990-060	6	4-5/8	12-1/16	11-7/8	15-5/16	23	7-1/2	16.96
3990-080	8	4-1/2	14-7/8	14-1/4	19-1/18	27-1/4	9-5/8	31.45
3990-100	10	5-11/16	17-13/16	18-1/16	23-1/16	34-1/4	11-15/16	58.78
3990-120	12	6-1/8	20-9/16	20-7/8	26-13/16	39-1/2	14-1/8	93.56
3990-140	14	8-3/4	22-5/16	24-7/8	29-5/16	47-5/8	15-1/2	127.04
3990-160	16	8-13/16	25-1/16	27-3/8	33-1/16	52-1/4	17-11/16	107.79
3990-180	18	8-9/16	27-13/16	29-7/16	36-13/16	56	19-7/8	313.87
3990-200	20	10	30-9/16	33-1/4	40-9/16	63-1/4	22-1/16	399.59
3990-240	24	12-1/4	36-9/16	40-1/4	48-9/16	76-1/2	26-7/16	617.50