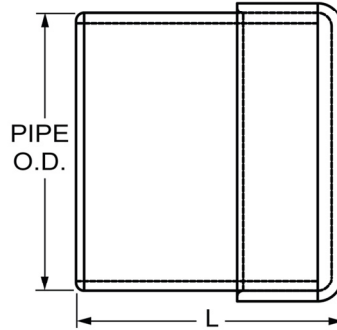




Fabricated Fittings Technical
PVC Schedule 40 & 80 DWV Fabricated Fittings

Spigot Plug SCH 40

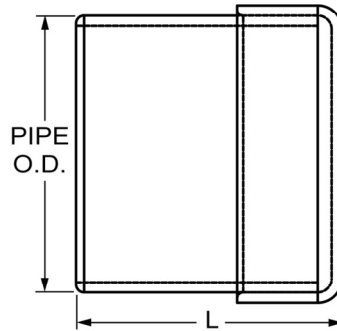
Spigot



Part Number	Size	L	Approx. Wt. (Lbs.)
3749-060	6	7-1/4	3.48
3749-080	8	8-1/4	5.96
3749-100	10	9-3/4	10.94
3749-120	12	11-1/8	17.18
3749-140	14	13-3/4	21.56
3749-160	16	14-1/2	32.07

Spigot Plug SCH 80

Spigot



Part Number	Size	L	Approx. Wt. (Lbs.)
3949-060	6	7-1/4	4.05
3949-080	8	8-1/4	9.40
3949-100	10	9-3/4	4.66
3949-120	12	11-1/8	22.50
3949-160	16	14-1/2	15.49