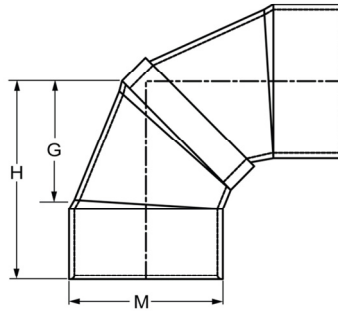


Fabricated Fittings Technical
PVC Schedule 40 & 80 DWV Fabricated Fittings



90° Elbow SCH 40

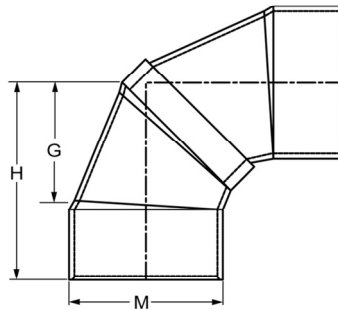
Socket x Socket



Part Number	Size	G	H	M	Approx. Wt. (Lbs.)
3706-060	6	6-5/16	9-9/16	7-3/16	5.90
3706-080	8	7-11/16	11-15/16	9-1/4	11.01
3706-100	10	9-13/16	15-1/6	11-1/2	17.51
3706-120	12	11-3/16	17-7/16	13-9/16	29.81
3706-140	14	13-3/16	20-3/16	14-7/8	41.54
3706-160	16	15-1/4	23-1/4	17	59.37
3706-180	18	17-5/16	26-5/16	19-1/8	82.00
3706-200	20	19-13/16	29-13/16	22-1/16	131.93
3706-240	24	23-7/16	35-7/16	25-3/8	172.90

90° Elbow SCH 80

Socket x Socket



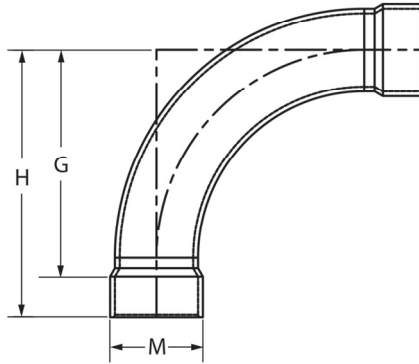
Part Number	Size	G	H	M	Approx. Wt. (Lbs.)
3906-060	6	6-7/16	9-11/16	7-1/2	9.29
3906-080	8	7-7/8	12-1/8	9-5/8	13.62
3906-100	10	10	15-1/4	11-15/16	30.83
3906-120	12	11-1/2	17-3/4	14-1/8	45.85
3906-140	14	13-1/2	20-1/2	15-1/2	70.94
3906-160	16	15-9/16	23-9/16	17-11/16	101.70
3906-180	18	17-11/16	26-11/16	19-7/8	164.83
3906-200	20	19-13/16	29-13/16	22-1/16	193.41
3906-240	24	24	36	26-7/16	324.00



Fabricated Fittings Technical
PVC Schedule 40 & 80 DWV Fabricated Fittings

90° Elbow - Long Sweep
SCH 40

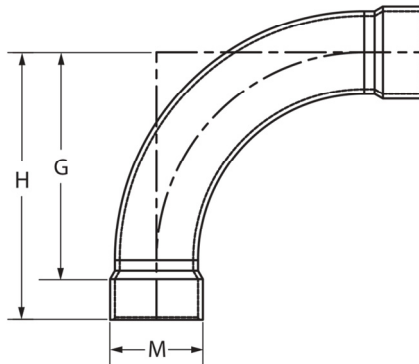
Socket x Socket



Part Number	Size	G	H	M	Approx. Wt. (Lbs.)
3706-030LSF	3	6-3/8	8-5/8	3-15/16	1.59
3706-040LSF	4	8-3/8	10-5/8	5	2.77
3706-060LSF	6	13	16-1/4	7-3/16	6.96
3706-080LSF	8	22-7/16	26-11/16	9-1/4	18.94
3706-100LSF	10	27	32-1/4	11-1/2	31.27

90° Elbow - Long Sweep
SCH 80

Socket x Socket



Part Number	Size	G	H	M	Approx. Wt. (Lbs.)
3906-030LSF	3	7	9	4-1/8	2.35
3906-040LSF	4	9	11-1/4	5-3/16	3.96
3906-060LSF	6	13	16-1/4	7-1/2	10.96
3906-080LSF	8	23-1/2	27-3/4	9-5/8	28.88
3906-100LSF	10	27	32-1/4	11-15/16	52.44