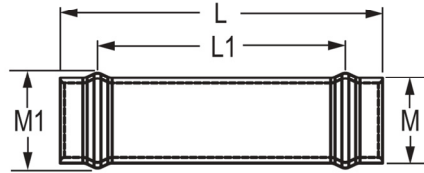




**Fabricated Fittings Technical**  
**PVC Schedule 40 & 80 DWV Fabricated Fittings**

**Repair Coupling SCH 80**

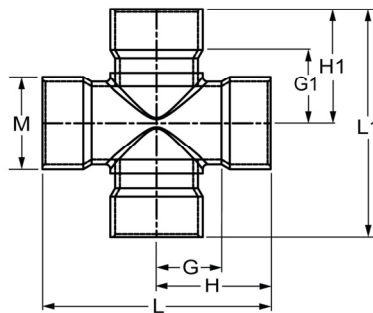
Gasket x Gasket



Part Number	Size	L	L1	M	M1	Approx. Wt. (Lbs.)
3928-040	4	19-1/2	15	5-3/16	5-3/4	5.68
3928-060	6	23	18-1/4	7-1/2	8-1/8	12.61
3928-080	8	26-1/8	19	9-5/8	10-3/8	21.38
3928-100	10	28	21-3/4	11-15/16	13-1/8	33.00
3928-120	12	29	21-3/8	14-1/8	15-3/8	49.16
3928-140	14	30	21	15-1/2	17-1/4	62.11
3928-160	16	31	22-1/4	17-11/16	18-7/8	75.99
3928-180	18	32	22-5/8	19-7/8	21-7/8	73.10
3928-200	20	32	23-1/2	22-1/16	24-1/16	113.21
3928-240	24	32	23-1/2	26-7/16	28-13/16	142.50

**Cross SCH 40**

Socket x Socket x Socket x Socket



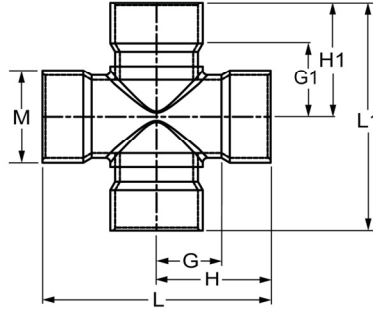
Part Number	Size	G	G1	H	H1	L	L1	M	Approx. Wt. (Lbs.)
3720-060	6	6-3/16	6-3/16	9-7/16	9-7/16	18-7/8	18-7/8	7-3/16	9.74
3720-080	8	7-5/16	7-5/16	11-9/16	11-9/16	23-1/8	23-1/8	9-1/4	17.62
3720-100	10	9	8-3/8	14-1/4	13-5/8	28-1/2	27-1/4	11-1/2	28.87
3720-120	12	11-1/4	10-3/16	17-1/2	16-7/16	35	32-7/8	13-9/16	44.72
3720-140	14	11	11	18	18	36	36	14-7/8	64.38
3720-160	16	12-7/8	12-7/8	20-7/8	20-7/8	41-3/4	41-3/4	17	90.35
3720-180	18	13-3/8	13-3/8	22-3/8	22-3/8	44-3/4	44-3/4	19-1/8	127.72
3720-200	20	15-1/2	15-7/16	25-1/2	25-7/16	51	50-7/8	21-3/16	161.18
3720-240	24	17-1/2	17-1/2	29-1/2	29-1/2	59	59	25-3/8	263.04

Fabricated Fittings Technical  
**PVC Schedule 40 & 80 DWV Fabricated Fittings**



**Cross SCH 80**

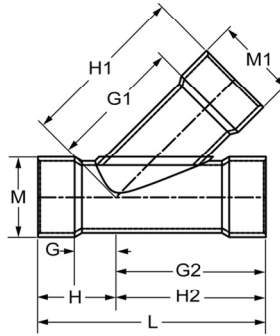
Socket x Socket x Socket x Socket



Part Number	Size	G	G1	H	H1	L	L1	M	Approx. Wt. (Lbs.)
3920-060	6	6-1/4	6-1/4	9-1/2	9-1/2	19	19	7-1/2	15.05
3920-080	8	7-5/8	7-5/8	11-7/8	11-7/8	23-3/4	23-3/4	9-5/8	21.20
3920-100	10	9	9	14-1/4	14-1/4	28-1/2	28-1/2	11-15/16	49.81
3920-120	12	11-1/4	11-1/4	17-1/2	17-1/2	35	35	14-1/8	86.58
3920-140	14	12-1/4	12-1/4	19-1/4	19-1/4	38-1/2	38-1/2	15-1/2	115.49
3920-160	16	13	13	21	21	42	42	17-11/16	156.80
3920-180	18	13-3/4	13-3/4	22-3/4	22-3/4	45-1/2	45-1/2	19-7/8	215.34
3920-200	20	16-3/8	16-3/8	26-3/8	26-3/8	52-3/4	52-3/4	22-1/16	306.39
3920-240	24	20-1/4	20-1/4	32-1/4	32-1/4	64-1/2	64-1/2	26-7/16	527.12

**Wye SCH 40**

Socket x Socket x Socket



Part Number	Size	G	G1	G2	H	H1	H2	L	M	M1	Approx. Wt. (Lbs.)
3775-080	8	5-5/8	14-5/16	14-5/16	9-7/8	18-9/16	18-9/16	28-7/16	9- 1/4	9- 1/4	19.38
3775-100	10	6-9/16	17-1/4	17-1/4	11-13/16	22-1/2	22-1/2	34-5/16	11- 1/2	11- 1/2	31.27
3775-120	12	7-5/16	20-1/16	20-1/16	13-9/16	26-5/16	26-5/16	39-7/8	13-9/16	13-9/16	47.70
3775-140	14	7-3/16	21-3/16	21-3/16	14-3/16	28-3/16	28-3/16	42-3/8	14-7/8	14-7/8	62.40
3775-160	16	8-3/4	24-3/4	24-3/4	16-3/4	32-3/4	32-3/4	49-1/2	17	17	96.80
3775-180	18	9-7/16	27-7/16	27-7/16	18-7/16	36-7/16	36-7/16	54-7/8	19-1/8	19-1/8	130.11
3775-200	20	11-7/16	30-5/16	30-5/16	21-7/16	40-5/16	40-5/16	61-3/4	21-3/16	21-3/16	179.19
3775-240	24	11	35	35	23	47	47	70- 1/2	25- 3/8	25-3/8	281.00