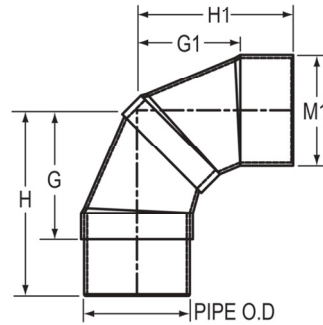




Fabricated Fittings Technical
PVC Schedule 40 & 80 DWV Fabricated Fittings

90° Street Ell SCH 80

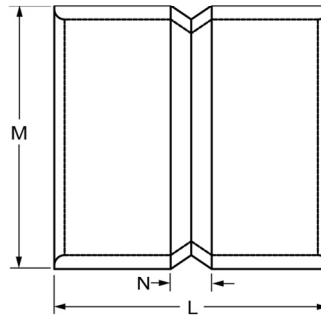
Spigot x Socket



Part Number	Size	G	G1	H	H1	M1	Approx. Wt. (Lbs.)
3909-060	6	6-1/8	6-1/8	9-3/8	9-3/8	7-1/2	12.11
3909-080	8	7-5/8	7-7/16	11-7/8	11-11/16	9-5/8	13.62
3909-100	10	9-9/16	9-5/8	14-13/16	14-7/8	11-15/16	31.88
3909-120	12	11-1/8	10-7/8	17-3/8	17-1/8	14-1/8	51.66
3909-140	14	13-1/2	13-1/2	20-1/2	20-1/2	15-1/2	70.94
3909-160	16	19-9/16	15-9/16	28-9/16	23-9/16	17-11/16	120.77
3909-180	18	22-3/16	17-11/16	32-3/16	26-11/16	19-7/8	140.90
3909-200	20	24-13/16	19-13/16	35-13/16	29-13/16	22-1/16	256.44
3909-240	24	30	24	43	36	26-7/16	465.39

Coupling SCH 40

Socket x Socket



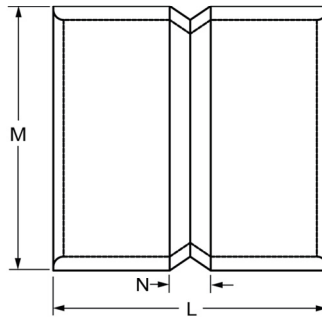
Part Number	Size	L	M	N	Approx. Wt. (Lbs.)
3729-080	8	10	9-1/4	1-1/2	4.73
3729-100	10	12-3/8	11-1/2	1-7/8	8.39
3729-120	12	14-3/4	13-9/16	2-1/4	13.25
3729-140	14	16-1/4	14-7/8	2-1/4	17.65
3729-160	16	18-5/8	17	2-5/8	27.00
3729-180	18	21-3/4	19-1/8	3/3/4	38.65
3729-200	20	24	21-3/16	4	49.22
3729-240	24	29-1/4	25-3/8	5-1/4	82.20

Fabricated Fittings Technical
PVC Schedule 40 & 80 DWV Fabricated Fittings



Coupling SCH 80

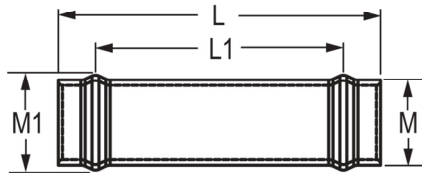
Socket x Socket



Part Number	Size	L	M	N	Approx. Wt. (Lbs.)
3929-080	8	10	9-5/8	1-1/2	6.05
3929-100	10	12-1/2	11-15/16	2	13.94
3929-120	12	14-1/4	14-1/8	1-3/4	21.80
3929-140	14	16-1/4	15-1/2	2-1/4	29.69
3929-160	16	18-5/8	17-11/16	2-5/8	42.37
3929-180	18	22	19-7/8	4	67.00
3929-200	20	23-3/4	22-1/16	3-3/4	84.73
3929-240	24	29-1/4	26-7/16	5-1/4	147.22

Repair Coupling SCH 40

Gasket x Gasket



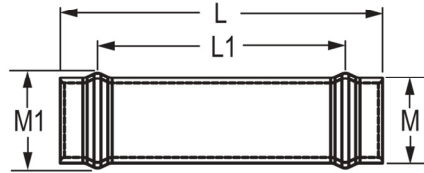
Part Number	Size	L	L1	M	M1	Approx. Wt. (Lbs.)
3728-040	4	19-1/2	15	5	5-5/8	4.18
3728-060	6	23	18-1/4	7-3/16	7-13/16	8.33
3728-080	8	26-1/8	21-1/2	9-1/16	9-13/16	14.00
3728-100	10	27	22-1/8	11-1/2	12-11/16	20.94
3728-120	12	28-1/4	22-5/8	13-9/16	14-13/16	28.48
3728-140	14	30	21-1/2	14-7/8	16-3/8	36.67
3728-160	16	31	24	17	18-1/2	49.66
3728-180	18	32	22-5/8	19-1/8	20-7/8	48.83
3728-200	20	32	23-1/2	21-3/16	22-3/16	66.97
3728-240	24	32	23-1/2	21-3/8	23-3/4	82.20



Fabricated Fittings Technical
PVC Schedule 40 & 80 DWV Fabricated Fittings

Repair Coupling SCH 80

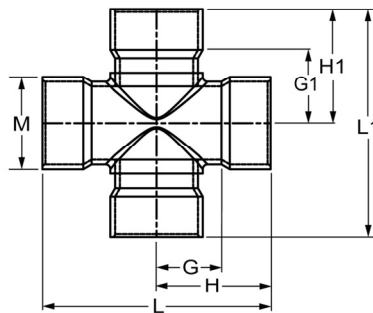
Gasket x Gasket



Part Number	Size	L	L1	M	M1	Approx. Wt. (Lbs.)
3928-040	4	19-1/2	15	5-3/16	5-3/4	5.68
3928-060	6	23	18-1/4	7-1/2	8-1/8	12.61
3928-080	8	26-1/8	19	9-5/8	10-3/8	21.38
3928-100	10	28	21-3/4	11-15/16	13-1/8	33.00
3928-120	12	29	21-3/8	14-1/8	15-3/8	49.16
3928-140	14	30	21	15-1/2	17-1/4	62.11
3928-160	16	31	22-1/4	17-11/16	18-7/8	75.99
3928-180	18	32	22-5/8	19-7/8	21-7/8	73.10
3928-200	20	32	23-1/2	22-1/16	24-1/16	113.21
3928-240	24	32	23-1/2	26-7/16	28-13/16	142.50

Cross SCH 40

Socket x Socket x Socket x Socket



Part Number	Size	G	G1	H	H1	L	L1	M	Approx. Wt. (Lbs.)
3720-060	6	6-3/16	6-3/16	9-7/16	9-7/16	18-7/8	18-7/8	7-3/16	9.74
3720-080	8	7-5/16	7-5/16	11-9/16	11-9/16	23-1/8	23-1/8	9-1/4	17.62
3720-100	10	9	8-3/8	14-1/4	13-5/8	28-1/2	27-1/4	11-1/2	28.87
3720-120	12	11-1/4	10-3/16	17-1/2	16-7/16	35	32-7/8	13-9/16	44.72
3720-140	14	11	11	18	18	36	36	14-7/8	64.38
3720-160	16	12-7/8	12-7/8	20-7/8	20-7/8	41-3/4	41-3/4	17	90.35
3720-180	18	13-3/8	13-3/8	22-3/8	22-3/8	44-3/4	44-3/4	19-1/8	127.72
3720-200	20	15-1/2	15-7/16	25-1/2	25-7/16	51	50-7/8	21-3/16	161.18
3720-240	24	17-1/2	17-1/2	29-1/2	29-1/2	59	59	25-3/8	263.04