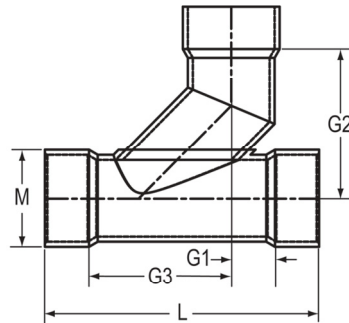


**Fabricated Fittings Technical**  
**PVC Schedule 40 & 80 DWV Fabricated Fittings**



**Sanitary Tee SCH 80**

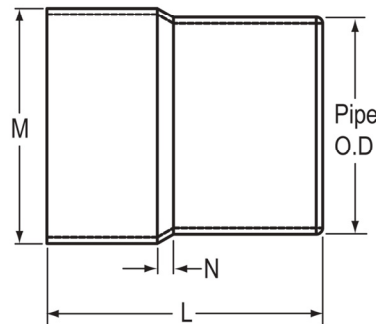
Socket x Socket x Socket



Part Number	Size	G1	G2	G3	H	L	M	Approx. Wt. (Lbs.)
<a href="#">3990-060</a>	6	4-5/8	12-1/16	11-7/8	15-5/16	23	7-1/2	16.96
<a href="#">3990-080</a>	8	4-1/2	14-7/8	14-1/4	19-1/18	27-1/4	9-5/8	31.45
<a href="#">3990-100</a>	10	5-11/16	17-13/16	18-1/16	23-1/16	34-1/4	11-15/16	58.78
<a href="#">3990-120</a>	12	6-1/8	20-9/16	20-7/8	26-13/16	39-1/2	14-1/8	93.56
<a href="#">3990-140</a>	14	8-3/4	22-5/16	24-7/8	29-5/16	47-5/8	15-1/2	127.04
<a href="#">3990-160</a>	16	8-13/16	25-1/16	27-3/8	33-1/16	52-1/4	17-11/16	107.79
<a href="#">3990-180</a>	18	8-9/16	27-13/16	29-7/16	36-13/16	56	19-7/8	313.87
<a href="#">3990-200</a>	20	10	30-9/16	33-1/4	40-9/16	63-1/4	22-1/16	399.59
<a href="#">3990-240</a>	24	12-1/4	36-9/16	40-1/4	48-9/16	76-1/2	26-7/16	617.50

**IPS X Sewer Adapter SCH 40**

IPS Socket x Sewer Spigot



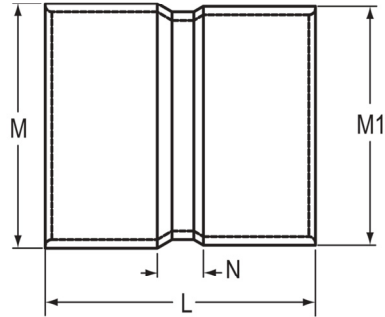
Part Number	Size	L	M	N	Approx. Wt. (Lbs.)
<a href="#">3729-04013IXS</a>	4	6-1/8	4-3/4	7/16	.52
<a href="#">3729-06013IXS</a>	6	8-1/4	7	1	1.71
<a href="#">3729-08013IXS</a>	8	10-5/8	9-1/8	5/8	3.67
<a href="#">3729-10013IXS</a>	10	12-1/2	11-3/8	1-1/4	7.97
<a href="#">3729-12013IXS</a>	12	14-1/2	13-1/2	1-1/4	11.66



**Fabricated Fittings Technical**  
**PVC Schedule 40 & 80 DWV Fabricated Fittings**

**IPS X Sewer Adapter SCH 40**

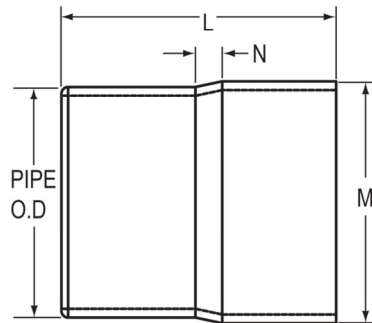
IPS Socket x Sewer Socket



Part Number	Size	L	M	M1	N	Approx. Wt. (Lbs.)
3729-040IXS	4	6	5	4-11/16	1-1/2	1.10
3729-060IXS	6	8	7-3/16	6-13/16	1-1/2	2.64
3729-080IXS	8	10-1/4	9-1/4	9- 1/16	1-3/4	4.86
3729-100IXS	10	12-7/8	11-1/2	11-1/4	2-3/8	8.78
3729-120IXS	12	14-5/8	13-9/16	13-5/16	2-1/8	12.55

**IPS X Sewer Adapter SCH 40**

IPS Spigot x Sewer Socket



Part Number	Size	L	M	N	Approx. Wt. (Lbs.)
3729-04031IXS	4	5-7/8	4-11/16	7/16	1.01
3729-06031IXS	6	8-1/16	6-13/16	13/16	2.42
3729-08031IXS	8	10-1/4	9-1/16	1	4.84
3729-10031IXS	10	12-1/4	11-1/4	1	8.16
3729-12031IXS	12	14-1/2	13-5/16	1-1/4	12.42