



PVC Schedule 40 & 80 DWV Fabricated Fittings



ENGINEERING GUIDE

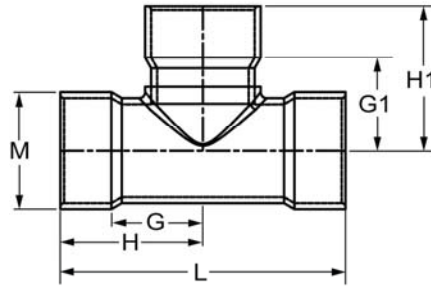
Contact Spears® for any Information not found.

Fabricated Fittings Technical
PVC Schedule 40 & 80 DWV Fabricated Fittings



Tee SCH 40

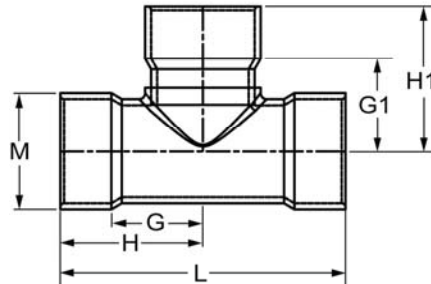
Socket x Socket x Socket



Part Number	Size	G	G1	H	H1	L	M	Approx. Wt. (Lbs.)
3701-060	6	6-3/16	6-3/16	9-7/16	9-7/16	18-7/8	7-3/16	7.64
3701-080	8	7-5/16	7-5/16	11-9/16	11-9/16	23-1/8	9-1/4	14.09
3701-100	10	9	9	14-1/4	13-5/8	28-1/2	11-1/2	24.48
3701-120	12	11-1/4	10-3/16	117-1/2	16-7/16	35	13-9/16	38.09
3701-140	14	11	11	18	18	36	14-7/8	51.92
3701-160	16	12-7/8	12-7/8	20-7/8	20-7/8	41-3/4	17	72.28
3701-180	18	13-3/8	13-3/8	22-3/8	22-3/8	44-3/4	19-1/8	102.51
3701-200	20	15-1/2	15-7/16	25-1/2	25-7/16	51	21-3/16	135.87
3701-240	24	17-1/2	17-1/2	29-1/2	29-1/2	59	25-3/8	208.08

Tee SCH 80

Socket x Socket x Socket



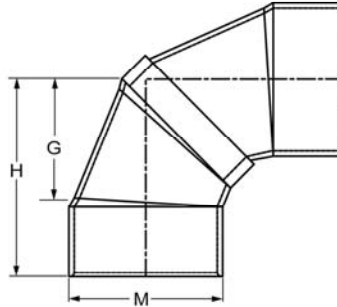
Part Number	Size	G	G1	H	H1	L	M	Approx. Wt. (Lbs.)
3901-060	6	6-1/4	6-1/4	9-1/2	9-1/2	19	7-1/2	12.70
3901-080	8	7-5/8	7-5/8	11-7/8	11-7/8	23-3/4	9-5/8	17.16
3901-100	10	9	9	14-1/4	14-1/4	28-1/2	11-15/16	39.85
3901-120	12	11-1/4	11-1/4	17-1/2	17-1/2	35	14-1/8	68.42
3901-140	14	12-1/4	12-1/4	19-1/4	19-1/4	38-1/2	15-1/2	90.74
3901-160	16	13	13	21	21	42	17-11/16	144.86
3901-180	18	13-3/4	13-3/4	22-3/4	22-3/4	45-1/2	19-7/8	170.14
3901-200	20	16-3/8	16-3/8	26-3/8	26-3/8	52-3/4	22-1/16	246.44
3901-240	24	20-1/4	20-1/4	32-1/4	32-1/4	64-1/2	26-7/16	422.65



Fabricated Fittings Technical
PVC Schedule 40 & 80 DWV Fabricated Fittings

90° Elbow SCH 40

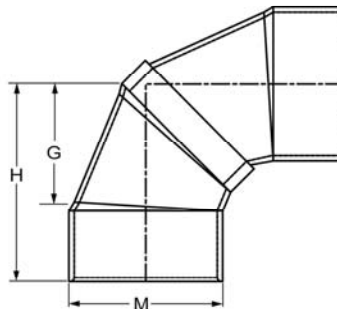
Socket x Socket



Part Number	Size	G	H	M	Approx. Wt. (Lbs.)
3706-060	6	6-5/16	9-9/16	7-3/16	5.90
3706-080	8	7-11/16	11-15/16	9-1/4	11.01
3706-100	10	9-13/16	15-1/6	11-1/2	17.51
3706-120	12	11-3/16	17-7/16	13-9/16	30.66
3706-140	14	13-3/16	20-3/16	14-7/8	41.54
3706-160	16	15-1/4	23-1/4	17	59.37
3706-180	18	17-5/16	26-5/16	19-1/8	82.00
3706-200	20	19-13/16	29-13/16	22-1/16	131.93
3706-240	24	23-7/16	35-7/16	25-3/8	172.90

90° Elbow SCH 80

Socket x Socket



Part Number	Size	G	H	M	Approx. Wt. (Lbs.)
3906-015	1-1/2	2-5/16	3-11/16	2-3/8	.72
3906-020	2	2-13/16	4-5/16	2-7/8	.89
3906-025	2-1/2	3-5/16	5-1/16	3-1/2	1.81
3906-030	3	3-13/16	5-11/16	4-3/16	2.46
3906-040	4	4-9/16	6-7/8	5-1/4	4.14
3906-060	6	6-7/16	9-11/16	7-1/2	9.29
3906-080	8	7-7/8	12-1/8	9-5/8	13.62
3906-100	10	10	15-1/4	11-15/16	30.83
3906-120	12	11-1/2	17-3/4	14-1/8	45.85
3906-140	14	13-1/2	20-1/2	15-1/2	70.94

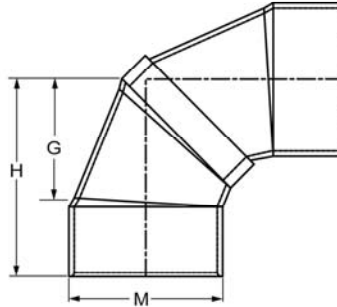
Fabricated Fittings Technical
PVC Schedule 40 & 80 DWV Fabricated Fittings



90° Elbow SCH 80

(Continued)

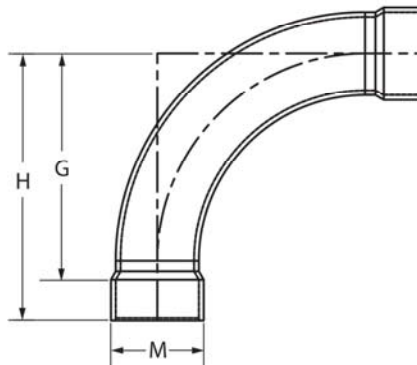
Socket x Socket



Part Number	Size	G	H	M	Approx. Wt. (Lbs.)
3906-160	16	15-9/16	23-9/16	17-11/16	101.70
3906-180	18	17-11/16	26-11/16	19-7/8	164.83
3906-200	20	19-13/16	29-13/16	22-1/16	193.41
3906-240	24	24	36	26-7/16	324.00

**90° Elbow - Long Sweep
 SCH 40**

Socket x Socket



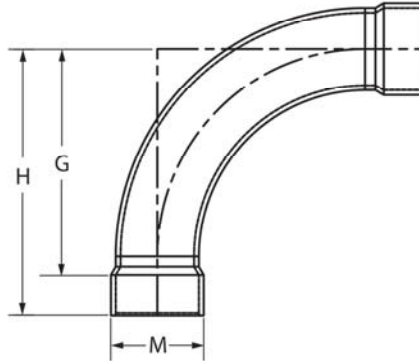
Part Number	Size	G	H	M	Approx. Wt. (Lbs.)
3706-030LSF	3	6-3/8	8-5/8	3-15/16	1.59
3706-040LSF	4	9	11-1/4	5	2.77
3706-060LSF	6	13	16-1/4	7-3/16	6.96
3706-080LSF	8	22-7/16	26-11/16	9-1/4	18.94
3706-100LSF	10	27	32-1/4	11-1/2	31.27



Fabricated Fittings Technical
PVC Schedule 40 & 80 DWV Fabricated Fittings

90° Elbow - Long Sweep
SCH 80

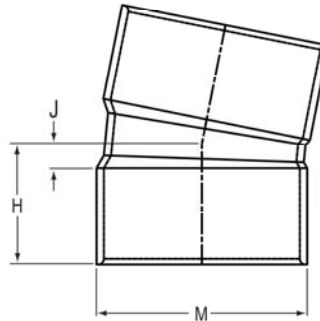
Socket x Socket



Part Number	Size	G	H	M	Approx. Wt. (Lbs.)
3906-030LSF	3	7	9	4-1/8	2.35
3906-040LSF	4	9	11-1/4	5-3/16	3.96
3906-060LSF	6	13	16-1/4	7-1/2	10.96
3906-080LSF	8	23-1/2	27-3/4	9-5/8	28.88
3906-100LSF	10	27	32-1/4	11-15/16	54.18

11-1/4° Elbow SCH 40

Socket x Socket



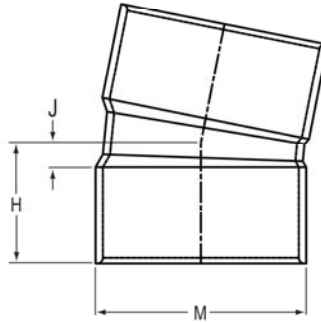
Part Number	Size	H	J	M	Approx. Wt. (Lbs.)
3711-040	4	3	3/4	5	1.39
3711-060	6	4- 1/4	1	7- 3/16	2.95
3711-080	8	5-5/16	11/16	9-1/4	4.84
3711-100	10	6-11/16	1-7/16	11-1/2	9.41
3711-120	12	7-13/16	1-9/16	13-9/16	14.09
3711-140	14	9	2	14-7/8	19.73
3711-160	16	10-3/8	2-3/8	16-3/4	28.39
3711-180	18	11-11/16	2-11/16	19-1/8	42.01
3711-200	20	13-1/16	3-1/16	21-3/16	57.10
3711-240	24	15-3/4	3-3/4	25-3/8	87.68

Fabricated Fittings Technical
PVC Schedule 40 & 80 DWV Fabricated Fittings



11-1/4° Elbow SCH 80

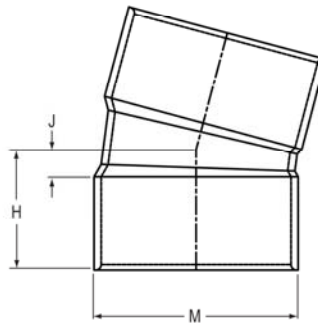
Socket x Socket



Part Number	Size	H	J	M	Approx. Wt. (Lbs.)
3911-040	4	3	3/4	5-3/16	1.62
3911-060	6	4-1/4	1	7-1/2	4.42
3911-080	8	5-3/8	1-1/8	9-5/8	6.56
3911-100	10	6-11/16	1-7/16	11-15/16	14.94
3911-120	12	7-13/16	1-9/16	14-1/8	25.13
3911-140	14	9	2	15-1/2	33.00
3911-160	16	10-3/8	2-3/8	17-11/16	48.73
3911-180	18	11-3/4	2-3/4	19-7/8	71.78
3911-200	20	13-1/8	3-1/8	22-1/16	96.58
3911-240	24	15-13/16	3-13/16	26-7/16	179.55

15° Elbow SCH 40

Socket x Socket



Part Number	Size	H	J	M	Approx. Wt. (Lbs.)
3718-040	4	3-1/16	13/16	5	1.12
3718-060	6	4-3/8	1-1/8	7-3/16	2.95
3718-080	8	5-1/2	1-1/4	9-1/4	5.28
3718-100	10	6-7/8	1-5/8	11-1/2	9.41
3718-120	12	8	1-3/4	13-9/16	14.09
3718-140	14	9-1/4	2-1/4	14-7/8	20.77
3718-160	16	10-5/8	2-5/8	17	29.68
3718-180	18	12	3	19-1/8	43.69
3718-200	20	13-7/16	3-7/16	21-3/16	57.10

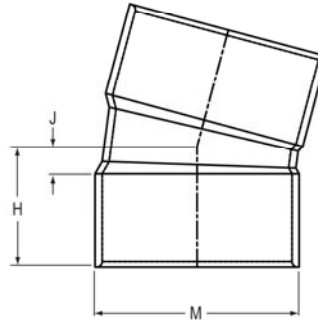


Fabricated Fittings Technical
PVC Schedule 40 & 80 DWV Fabricated Fittings

15° Elbow SCH 40

(Continued)

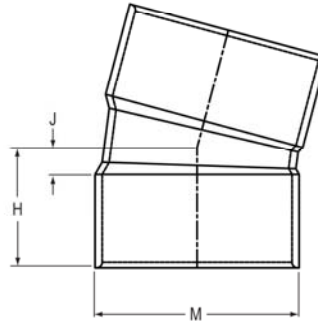
Socket x Socket



Part Number	Size	H	J	M	Approx. Wt. (Lbs.)
3718-240	24	16-3/16	4-3/16	25-3/8	95.90

15° Elbow SCH 80

Socket x Socket



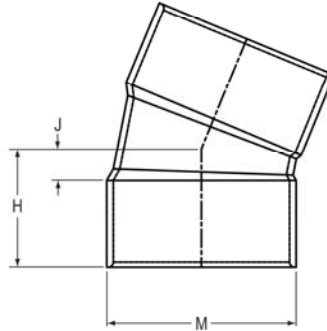
Part Number	Size	H	J	M	Approx. Wt. (Lbs.)
3918-040	4	3-1/8	7/8	5-3/16	1.62
3918-060	6	4-3/8	1-1/8	7-1/2	4.42
3918-080	8	5-1/2	1-1/4	9-5/8	9.23
3918-100	10	6-15/16	1-11/16	11-15/16	14.94
3918-120	12	8-1/16	1-13/16	14-1/8	25.13
3918-140	14	9-5/16	2-5/16	15-1/2	34.64
3918-160	16	10-11/16	2-11/16	17-11/16	50.85
3918-180	18	12-1/16	3-1/16	19-7/8	71.78
3918-200	20	13-1/2	3-1/2	22-1/16	119.89
3918-240	24	16-1/4	4-1/4	26-7/16	170.96

Fabricated Fittings Technical
PVC Schedule 40 & 80 DWV Fabricated Fittings



22-1/2° Elbow SCH 40

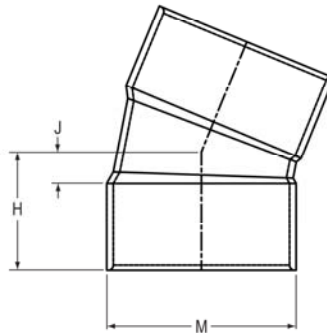
Socket x Socket



Part Number	Size	H	J	M	Approx. Wt. (Lbs.)
3716-040	4	3-1/4	1	5	1.39
3716-060	6	4- 5/8	1- 3/8	7- 3/16	3.24
3716-080	8	5-13/16	1-9/16	9- 1/4	5.72
3716-100	10	7-5/16	2-1/16	11-1/2	10.04
3716-120	12	8-1/2	2-1/4	13-9/16	14.92
3716-140	14	9-3/4	2-3/4	14-7/8	20.77
3716-160	16	11-1/4	3-1/4	17	30.96
3716-180	18	12-11/16	3-11/16	19-1/8	45.37
3716-200	20	14-1/8	4-1/8	21- 3/16	59.07
3716-240	24	17-1/16	5-1/16	25-3/8	98.64

22-1/2° Elbow SCH 80

Socket x Socket



Part Number	Size	H	J	M	Approx. Wt. (Lbs.)
3916-040	4	3-1/4	1	5-3/16	1.89
3916-060	6	4-5/8	1-3/8	7- 1/2	4.87
3916-080	8	5-7/8	1-5/8	9- 5/8	7.06
3916-100	10	7-5/16	2-1/6	11-15/16	20.59
3916-120	12	8-9/16	2-5/16	14- 1/8	26.53
3916-140	14	9-13/16	2-13/16	15-1/2	36.29
3916-160	16	11-5/16	3-5/16	17-11/16	52.97
3916-180	18	12-3/4	3-3/4	19-7/8	74.44
3916-200	20	14-1/4	4-1/4	22-1/16	119.89

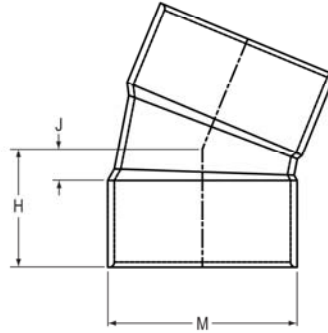


Fabricated Fittings Technical
PVC Schedule 40 & 80 DWV Fabricated Fittings

22-1/2° Elbow SCH 80

(Continued)

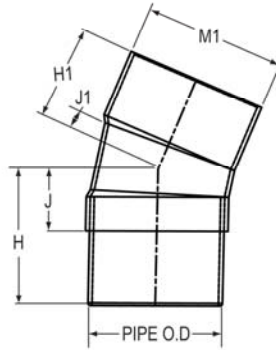
Socket x Socket



Part Number	Size	H	J	M	Approx. Wt. (Lbs.)
3916-240	24	17-3/16	5-3/16	26-7/16	189.95

22-1/2° Street El SCH 40

Spigot x Socket



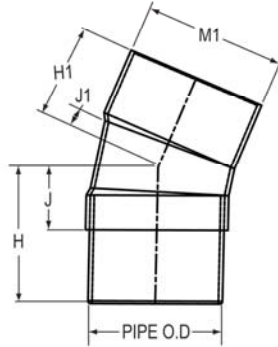
Part Number	Size	H	H1	J	J1	M1	Approx. Wt. (Lbs.)
3742-060	6	5-11/16	2-15/16	2-3/16	5/16	7-3/16	2.59
3742-080	8	7-3/8	3-5/8	2-7/8	5/8	9-1/4	5.72
3742-100	10	9-9/16	4-7/16	3-9/16	13/16	11-1/2	10.67
3742-120	12	5-3/16	5-3/16	5-1/4	1-1/16	13-9/16	15.74
3742-140	14	14-9/16	5-9/16	6-9/16	1-7/16	14-7/8	21.69
3742-160	16	13-1/2	7-9/16	4-1/2	7/16	17	30.97
3742-180	18	18-3/16	12-11/16	8-3/16	3-11/16	19-1/8	58.79
3742-200	20	20-1/8	14-1/8	9-1/8	4-1/8	21-3/16	59.07
3742-240	24	24-1/16	17-1/16	11-1/16	5-1/16	25-3/8	134.26

Fabricated Fittings Technical
PVC Schedule 40 & 80 DWV Fabricated Fittings



22-1/2° Street Ell SCH 80

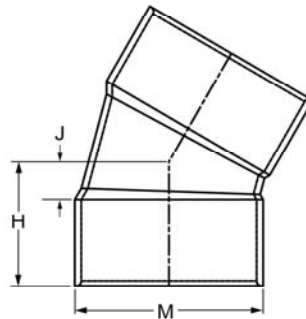
Spigot x Socket



Part Number	Size	H	H1	J	J1	M1	Approx. Wt. (Lbs.)
3942-060	6	6-7/16	2-3/4	2-7/16	1/2	7-1/2	4.87
3942-080	8	8-1/8	3-9/16	3-1/8	11/16	9-5/8	6.56
3942-100	10	10	4-9/16	4	11/16	11-15/16	15.94
3942-120	12	11-9/16	5-9/16	4-9/16	11/16	14-1/8	26.53
3942-140	14	13-1/16	6-1/4	5-1/16	3/4	15-1/2	36.29
3942-160	16	14-3/16	7-1/4	5-3/16	3/4	17-11/16	46.25
3942-180	18	18-1/4	12-3/4	8-1/4	3-3/4	19-7/18	74.44
3942-200	20	20-1/4	14-1/4	9-1/4	4-1/4	22-1/16	139.85
3942-240	24	24-3/16	17-3/16	11-3/16	5-3/16	26-7/16	242.24

30° Elbow SCH 40

Socket x Socket



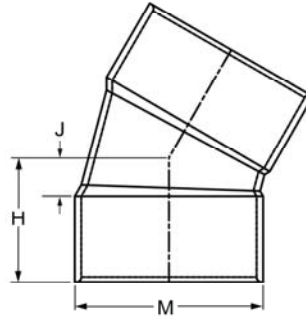
Part Number	Size	H	J	M	Approx. Wt. (Lbs.)
3715-040	4	3-7/16	1-3/16	5	1.39
3715-060	6	4-7/8	1-5/8	7-3/16	2.88
3715-080	8	6-1/8	1-7/8	9- 1/4	5.39
3715-100	10	7-11/16	2-7/16	11-1/2	10.66
3715-120	12	9	2- 3/4	13- 9/16	16.57
3715-140	14	10-5/16	3-5/16	14- 7/8	21.81
3715-160	16	11-13/16	3-13/16	17	32.26
3715-180	18	13-3/8	4-3/8	19-1/8	48.73
3715-200	20	14-15/16	4-15/16	21-3/16	63.01
3715-240	24	18	6	25-3/8	104.12



Fabricated Fittings Technical
PVC Schedule 40 & 80 DWV Fabricated Fittings

30° Elbow SCH 80

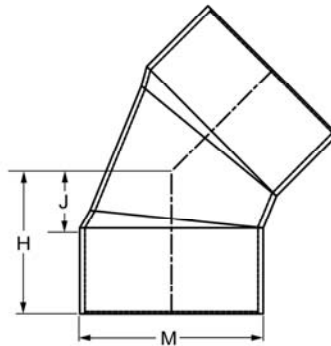
Socket x Socket



Part Number	Size	H	J	M	Approx. Wt. (Lbs.)
3915-040	4	3-7/16	1-3/16	5- 3/16	2.08
3915-060	6	4-7/8	1-5/8	7-1/2	4.87
3915-080	8	6-3/16	1-15/16	9- 5/8	10.65
3915-100	10	7-3/4	2-1/2	11-15/16	16.93
3915-120	12	9-1/16	2-13/16	14-1/8	27.92
3915-140	14	10-7/16	3-7/16	15-1/2	37.94
3915-160	16	11-15/16	3-15/16	17-11/16	55.09
3915-180	18	13-1/2	4-1/2	19-7/8	77.09
3915-200	20	3-7/16	1-3/16	5-3/16	119.89
3915-240	24	18-1/8	6-1/8	26-7/16	191.00

45° Elbow SCH 40

Socket x Socket



Part Number	Size	H	J	M	Approx. Wt. (Lbs.)
3717-040	4	3-11/16	1-7/16	5	1.32
3717-060	6	5-7/16	2-3/16	7- 3/16	3.54
3717-080	8	6-7/8	2-5/8	9-1/4	6.60
3717-100	10	8-9/16	3-5/16	11- 1/2	10.33
3717-120	12	10	3- 3/4	13- 9/16	15.96
3717-140	14	11-7/16	4-7/16	14-7/8	24.92
3717-160	16	13-1/8	5-1/8	17	34.85
3717-180	18	14-7/8	5-7/8	19-1/8	52.09
3717-200	20	16-9/16	6-9/16	21- 3/16	68.92

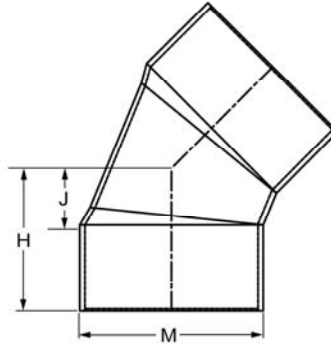
Fabricated Fittings Technical
PVC Schedule 40 & 80 DWV Fabricated Fittings



45° Elbow SCH 40

(Continued)

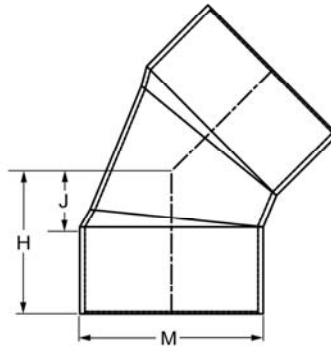
Socket x Socket



Part Number	Size	H	J	M	Approx. Wt. (Lbs.)
3717-240	24	19-15/16	7-15/16	25-3/8	112.34

45° Elbow SCH 80

Socket x Socket



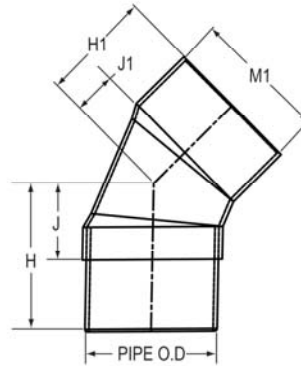
Part Number	Size	H	J	M	Approx. Wt. (Lbs.)
3917-040	4	3-7/8	1-5/8	5-3/16	1.93
3917-060	6	5- 1/2	2- 1/4	7- 1/2	5.31
3917-080	8	6-15/16	2-11/16	9- 5/8	11.42
3917-100	10	8-11/16	3-7/16	11-15/16	17.37
3917-120	12	10-1/8	3-7/8	14- 1/8	30.72
3917-140	14	11-9/16	4-9/16	15-1/2	41.24
3917-160	16	13-5/16	5-5/16	17-11/16	61.44
3917-180	18	15	6	19-7/8	87.73
3917-200	20	16-3/4	6-3/4	22- 1/16	112.97
3917-240	24	20-3/16	8-3/16	26- 7/16	204.20



Fabricated Fittings Technical
PVC Schedule 40 & 80 DWV Fabricated Fittings

45° Street EII SCH 40

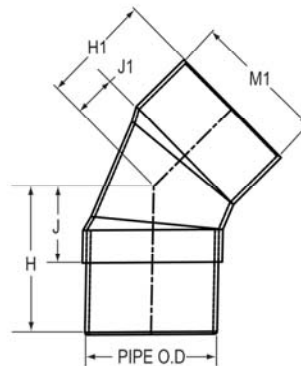
Spigot x Socket



Part Number	Size	H	H1	J	J1	M1	Approx. Wt. (Lbs.)
3727-040	4	6-1/16	3-13/16	3-1/16	1-9/16	5	2.03
3727-060	6	5-5/16	5-5/16	2-1/16	2-1/16	7-1/8	3.14
3727-080	8	6-3/4	6-3/4	2-1/2	2-1/2	9-1/4	5.72
3727-100	10	8-1/2	8-1/2	3-1/4	3-1/4	11-1/2	11.93
3727-120	12	10	10	3-3/4	3-3/4	13-9/16	18.23
3727-140	14	11-7/16	11-7/16	4-7/16	4-7/16	14-7/8	22.00
3727-160	16	18-1/8	13-1/8	9-1/8	5-1/8	17	44.00
3727-180	18	20-3/8	14-7/8	10-3/8	5-7/8	19-1/8	66.00
3727-200	20	22-9/16	16-9/16	11-9/16	6-9/16	21-3/16	84.00
3727-240	24	26-15/16	19-15/16	13-15/16	7-15/16	25-3/8	147.96

45° Street EII SCH 80

Spigot x Socket



Part Number	Size	H	H1	J	J1	M1	Approx. Wt. (Lbs.)
3927-040	4	4-13/16	3-7/16	2-5/16	1-3/16	5-1/4	2.64
3927-060	6	5-3/8	5-3/8	2-1/8	2-1/8	7-1/2	6.64
3927-080	8	6-7/8	6-11/16	2-5/8	2-7/16	9-5/8	9.49
3927-100	10	8-7/16	8-9/16	3-3/16	3-5/16	11-15/16	17.93
3927-120	12	10-1/16	9-13/16	3-13/16	3-9/16	14-1/8	29.32
3927-140	14	11-9/16	11-9/16	4-9/16	4-9/16	15-1/2	61.04
3927-160	16	18-5/16	13-5/16	9-5/16	5-5/16	17-11/16	78.40
3927-180	18	20-1/2	15	10-1/2	6	19-7/8	114.31
3927-200	20	22-3/4	16-3/4	11-3/4	6-3/4	22-1/16	156.52

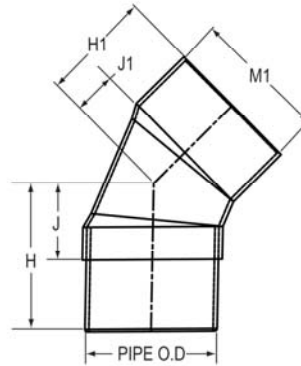
Fabricated Fittings Technical
PVC Schedule 40 & 80 DWV Fabricated Fittings



45° Street Ell SCH 80

Spigot x Socket

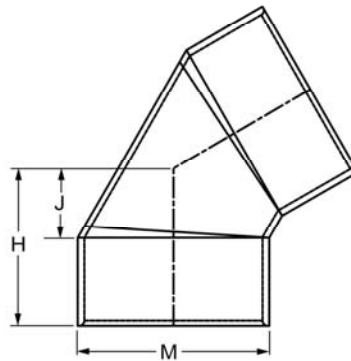
(Continued)



Part Number	Size	H	H1	J	J1	M1	Approx. Wt. (Lbs.)
3927-240	24	27-3/16	20-3/16	14-3/16	8-3/16	26-7/16	261.18

60° Elbow SCH 40

Socket x Socket



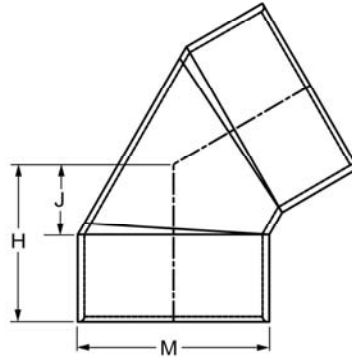
Part Number	Size	H	J	M	Approx. Wt. (Lbs.)
3724-040	4	4-1/4	2	5	2.95
3724-060	6	6-1/16	2-13/16	7-3/16	3.54
3724-080	8	7-5/8	3-3/8	9-1/4	6.60
3724-100	10	9-9/16	4-5/16	11-1/2	11.60
3724-120	12	11-3/16	4-15/16	13-9/16	17.46
3724-140	14	12-3/4	5-3/4	14-7/8	25.96
3724-160	16	15-5/8	6-5/8	17	36.38
3724-180	18	16-9/16	7-9/16	19-1/8	94.11
3724-200	20	23-11/16	13-11/16	22-1/16	122.08
3724-240	24	28-3/8	16-3/8	25-3/8	122.08



Fabricated Fittings Technical
PVC Schedule 40 & 80 DWV Fabricated Fittings

60° Elbow SCH 80

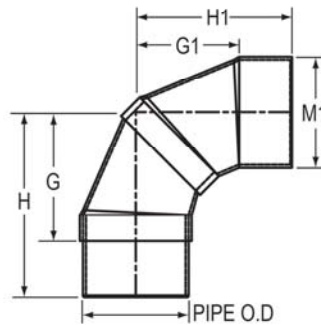
Socket x Socket



Part Number	Size	H	J	M	Approx. Wt. (Lbs.)
3924-040	4	4-5/16	2-1/16	5-3/16	2.31
3924-060	6	6-1/8	2-7/8	7-1/2	5.85
3924-080	8	7-3/4	3-1/2	9-5/8	18.81
3924-100	10	9-11/16	4-7/16	11-15/16	20.92
3924-120	12	11-5/16	5-1/16	14-1/8	33.51
3924-140	14	12-15/16	5-15/16	15-1/2	41.18
3924-160	16	14-13/16	6-13/16	17-11/16	108.06
3924-180	18	16-3/4	7-3/4	19-7/8	95.70
3924-200	20	23-11/16	13-11/16	22-1/16	129.88
3924-240	24	28-11/16	16-11/16	26-7/16	223.19

90° Street Ell SCH 40

Spigot x Socket



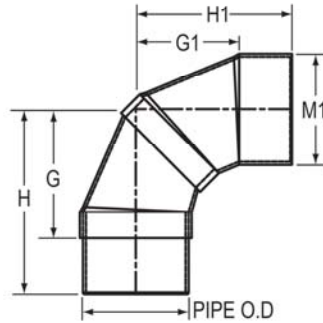
Part Number	Size	G	G1	H	H1	M1	Approx. Wt. (Lbs.)
3709-060	6	6-1/8	6-1/8	9-3/8	9-3/8	7-1/8	5.90
3709-080	8	7-1/2	7-1/2	11-3/4	11-3/4	9-1/4	10.02
3709-100	10	9-9/16	9-9/16	14-13/16	14-13/16	11-1/2	20.09
3709-120	12	10-15/16	10-15/16	17-3/16	17-3/16	13-9/16	30.66
3709-140	14	13-15/16	12-15/16	20-15/16	19-15/16	14-7/8	41.54
3709-160	16	19-1/4	15-1/4	28-1/4	23-1/4	17	75.48
3709-180	18	21-13/16	17-5/16	31-13/16	26-5/16	19-1/8	115.96
3709-200	20	24-3/8	19-3/8	35-3/8	29-3/8	21-3/16	151.62
3709-240	24	29-7/16	23-7/16	42-7/16	35-7/16	25-3/8	227.42

Fabricated Fittings Technical
PVC Schedule 40 & 80 DWV Fabricated Fittings



90° Street EII SCH 80

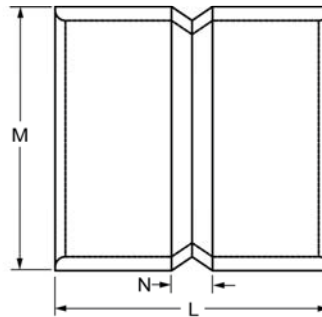
Spigot x Socket



Part Number	Size	G	G1	H	H1	M1	Approx. Wt. (Lbs.)
3909-060	6	6-1/8	6-1/8	9-3/8	9-3/8	7-1/2	12.11
3909-080	8	7-5/8	7-7/16	11-7/8	11-11/16	9-5/8	18.17
3909-100	10	9-9/16	9-5/8	14-13/16	14-7/8	11-15/16	31.88
3909-120	12	11-1/8	10-7/8	17-3/8	17-1/8	14-1/8	51.66
3909-140	14	13-1/2	13-1/2	20-1/2	20-1/2	15-1/2	70.94
3909-160	16	19-9/16	15-9/16	28-9/16	23-9/16	17-11/16	120.77
3909-180	18	22-3/16	17-11/16	32-3/16	26-11/16	19-7/8	140.90
3909-200	20	24-13/16	19-13/16	35-13/16	29-13/16	22-1/16	256.44
3909-240	24	30	24	43	36	26-7/16	465.39

Coupling SCH 40

Socket x Socket



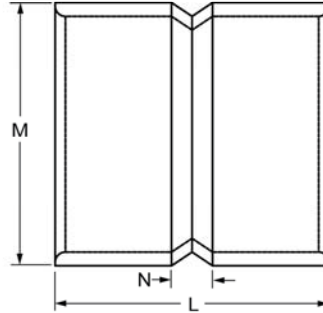
Part Number	Size	L	M	N	Approx. Wt. (Lbs.)
3729-080	8	10	9-1/4	1-1/2	4.73
3729-100	10	12-3/8	11-1/2	1-7/8	8.39
3729-120	12	14-3/4	13-9/16	2-1/4	13.26
3729-140	14	16-1/4	14-7/8	2-1/4	17.65
3729-160	16	18-5/8	17	2-5/8	27.00
3729-180	18	21-3/4	19-1/8	3/4	38.65
3729-200	20	24	21-3/16	4	49.22
3729-240	24	29-1/4	25-3/8	5-1/4	82.20



Fabricated Fittings Technical
PVC Schedule 40 & 80 DWV Fabricated Fittings

Coupling SCH 80

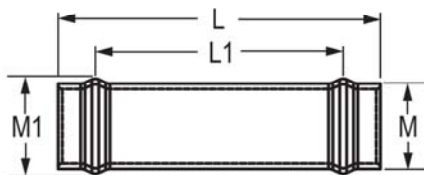
Socket x Socket



Part Number	Size	L	M	N	Approx. Wt. (Lbs.)
3929-080	8	10	9-5/8	1-1/2	6.05
3929-100	10	12-1/2	11-15/16	2	13.94
3929-120	12	14-1/4	14-1/8	1-3/4	21.80
3929-140	14	16-1/4	15-1/2	2-1/4	29.69
3929-160	16	18-5/8	17-11/16	2-5/8	42.37
3929-180	18	22	19-7/8	4	67.00
3929-200	20	23-3/4	22-1/16	3-3/4	84.73
3929-240	24	29-1/4	26-7/16	5-1/4	147.22

Repair Coupling SCH 40

Gasket x Gasket



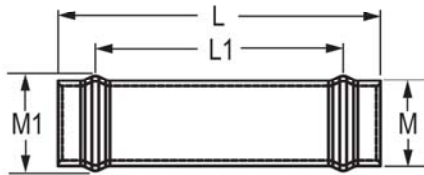
Part Number	Size	L	L1	M	M1	Approx. Wt. (Lbs.)
3728-040	4	19-1/2	15	5	5-5/8	4.18
3728-060	6	23	18-1/4	7-3/16	7-13/16	8.33
3728-080	8	26-1/8	21-1/2	9-1/16	9-13/16	14.00
3728-100	10	27	22-1/8	11-1/2	12-11/16	20.94
3728-120	12	28-1/4	22-5/8	13-9/16	14-13/16	28.48
3728-140	14	30	21-1/2	14-7/8	16-3/8	36.67
3728-160	16	31	24	17	18-1/2	49.66
3728-180	18	32	22-5/8	19-1/8	20-7/8	48.83
3728-200	20	32	23-1/2	21-3/16	22-3/16	66.97
3728-240	24	32	23-1/2	21-3/8	23-3/4	82.20

Fabricated Fittings Technical
PVC Schedule 40 & 80 DWV Fabricated Fittings



Repair Coupling SCH 80

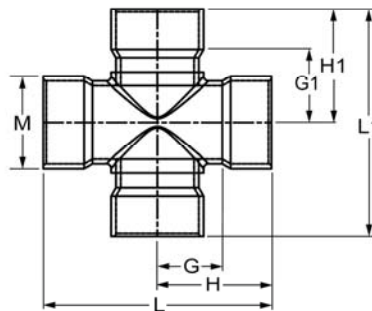
Gasket x Gasket



Part Number	Size	L	L1	M	M1	Approx. Wt. (Lbs.)
3928-040	4	19-1/2	15	5-3/16	5-3/4	5.68
3928-060	6	23	18-1/4	7-1/2	8-1/8	12.61
3928-080	8	26-1/8	19	9-5/8	10-3/8	21.38
3928-100	10	28	21-3/4	11-15/16	13-1/8	33.00
3928-120	12	29	21-3/8	14-1/8	15-3/8	49.16
3928-140	14	30	21	15-1/2	17-1/4	62.11
3928-160	16	31	22-1/4	17-11/16	18-7/8	75.99
3928-180	18	32	22-5/8	19-7/8	21-7/8	73.10
3928-200	20	32	23-1/2	22-1/16	24-1/16	113.21
3928-240	24	32	23-1/2	26-7/16	28-13/16	142.50

Cross SCH 40

Socket x Socket x Socket x Socket



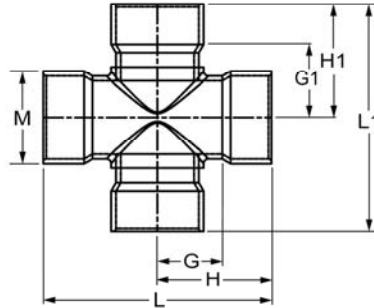
Part Number	Size	G	G1	H	H1	L	L1	M	Approx. Wt. (Lbs.)
3720-060	6	6-3/16	6-3/16	9-7/16	9-7/16	18-7/8	18-7/8	7-3/16	9.74
3720-080	8	7-5/16	7-5/16	11-9/16	11-9/16	23-1/8	23-1/8	9-1/4	17.62
3720-100	10	9	8-3/8	14-1/4	13-5/8	28-1/2	27-1/4	11-1/2	30.14
3720-120	12	11-1/4	10-3/16	17-1/2	16-7/16	35	32-7/8	13-9/16	48.90
3720-140	14	11	11	18	18	36	36	14-7/8	64.38
3720-160	16	12-7/8	12-7/8	20-7/8	20-7/8	41-3/4	41-3/4	17	90.35
3720-180	18	13-3/8	13-3/8	22-3/8	22-3/8	44-3/4	44-3/4	19-1/8	127.72
3720-200	20	15-1/2	15-7/16	25-1/2	25-7/16	51	50-7/8	21-3/16	161.18
3720-240	24	17-1/2	17-1/2	29-1/2	29-1/2	59	59	25-3/8	263.04



Fabricated Fittings Technical
PVC Schedule 40 & 80 DWV Fabricated Fittings

Cross SCH 80

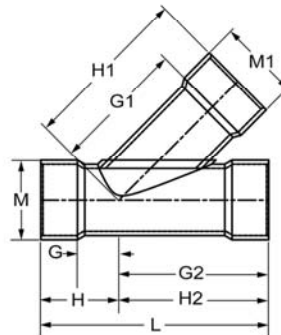
Socket x Socket x Socket x Socket



Part Number	Size	G	G1	H	H1	L	L1	M	Approx. Wt. (Lbs.)
3920-060	6	6-1/4	6-1/4	9-1/2	9-1/2	19	19	7-1/2	15.05
3920-080	8	7-5/8	7-5/8	11-7/8	11-7/8	23-3/4	23-3/4	9-5/8	21.20
3920-100	10	9	9	14-1/4	14-1/4	28-1/2	28-1/2	11-15/16	49.81
3920-120	12	11-1/4	11-1/4	17-1/2	17-1/2	35	35	14-1/8	86.58
3920-140	14	12-1/4	12-1/4	19-1/4	19-1/4	38-1/2	38-1/2	15-1/2	115.49
3920-160	16	13	13	21	21	42	42	17-11/16	156.80
3920-180	18	13-3/4	13-3/4	22-3/4	22-3/4	45-1/2	45-1/2	19-7/8	215.34
3920-200	20	16-3/8	16-3/8	26-3/8	26-3/8	52-3/4	52-3/4	22-1/16	306.39
3920-240	24	20-1/4	20-1/4	32-1/4	32-1/4	64-1/2	64-1/2	26-7/16	527.12

Wye SCH 40

Socket x Socket x Socket



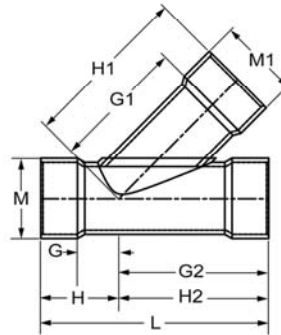
Part Number	Size	G	G1	G2	H	H1	H2	L	M	M1	Approx. Wt. (Lbs.)
3775-080	8	5-5/8	14-5/16	14-5/16	9-7/8	18-9/16	18-9/16	28-7/16	9- 1/4	9- 1/4	19.38
3775-100	10	6-9/16	17-1/4	17-1/4	11-13/16	22-1/2	22-1/2	34-5/16	11- 1/2	11- 1/2	31.27
3775-120	12	7-5/16	20-1/16	20-1/16	13-9/16	26-5/16	26-5/16	39-7/8	13-9/16	13-9/16	47.70
3775-140	14	7-3/16	21-3/16	21-3/16	14-3/16	28-3/16	28-3/16	42-3/8	14-7/8	14-7/8	62.40
3775-160	16	8-3/4	24-3/4	24-3/4	16-3/4	32-3/4	32-3/4	49-1/2	17	17	96.80
3775-180	18	9-7/16	27-7/16	27-7/16	18-7/16	36-7/16	36-7/16	54-7/8	19-1/8	19-1/8	130.11
3775-200	20	11-7/16	30-5/16	30-5/16	21-7/16	40-5/16	40-5/16	61-3/4	21-3/16	21-3/16	179.19
3775-240	24	11	35	35	23	47	47	70- 1/2	25- 3/8	25-3/8	281.00

Fabricated Fittings Technical
PVC Schedule 40 & 80 DWV Fabricated Fittings



Wye SCH 80

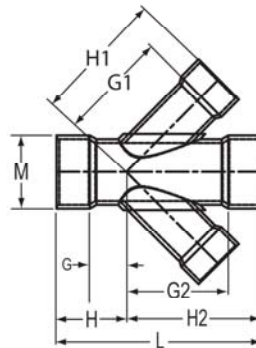
Socket x Socket x Socket



Part Number	Size	G	G1	G2	H	H1	H2	L	M	M1	Approx. Wt. (Lbs.)
3975-020	2	3-7/8	6-1/4	6-1/4	5-7/16	7-13/16	7-13/16	13-1/4	2-7/8	2-7/8	2.09
3975-030	3	4-3/4	8-1/4	8-1/4	6-5/8	10-3/16	10-3/16	16-13/16	4-3/16	4-3/16	5.52
3975-040	4	4-11/16	9-3/16	9-3/16	6-15/16	11-7/16	11-7/16	18-3/8	5-3/16	5-3/16	6.67
3975-060	6	4-15/16	12-5/8	11-9/16	8-3/16	15-7/8	14-13/16	23	7-1/2	7-1/2	15.77
3975-080	8	5-1/16	15-7/8	13-11/16	9-5/16	20-1/8	17-15/16	27-1/4	9-5/8	9-5/8	28.50
3975-100	10	6-1/2	18-7/8	17-1/4	11-3/4	24-1/8	22-1/2	34-1/4	11-15/16	11-15/16	53.98
3975-120	12	7-1/8	21-3/16	19-7/8	13-3/8	28-1/16	26-1/8	39-1/2	14-1/8	14-1/8	82.92
3975-140	14	9-13/16	23-13/16	23-13/16	16-13/16	30-13/16	30-13/16	47-5/8	15-1/2	15-1/2	116.93
3975-160	16	10-1/18	26-1/18	26-1/18	18-1/8	34-1/8	34-1/8	52-1/4	17-11/16	17-11/16	164.14
3975-180	18	10	29-3/8	28	19	38-3/8	37	56	19-7/8	19-7/8	227.53
3975-200	20	11-5/8	31-5/8	31-5/8	21-5/8	41-5/8	41-5/8	63-1/4	22-1/16	21-1/16	290.99
3975-240	24	14-1/4	38-1/4	38-1/4	26-1/4	50-1/4	50-1/4	76-1/2	26-7/16	26-7/16	617.50

Double Wye SCH 40

Socket x Socket x Socket x Socket



Part Number	Size	G	G1	G2	H	H1	H2	L	M	Approx. Wt. (Lbs.)
3776-060	6	4-7/8	11-1/2	11-1/2	8-1/8	14-3/4	14-3/4	22-7/8	7-3/16	12.98
3776-080	8	5-5/8	14-5/16	14-5/16	9-7/8	18-9/16	18-9/16	28-7/16	9-1/4	24.22
3776-100	10	6-9/16	17-1/4	17-1/4	11-13/16	22-1/2	22-1/2	34-5/16	11-1/2	41.43
3776-120	12	7-5/16	20-1/16	20-1/16	13-9/16	26-5/16	26-5/16	39-7/8	13-9/16	63.77
3776-140	14	7-3/16	21-3/16	21-3/16	14-3/16	28-3/16	28-3/16	42-3/8	14-7/8	81.80
3776-160	16	8-3/4	24-3/4	24-3/4	16-3/4	32-3/4	32-3/4	49-1/2	17	131.64
3776-180	18	9-7/16	27-7/16	27-7/16	18-7/16	36-7/16	36-7/16	54-7/8	19-1/8	186.98

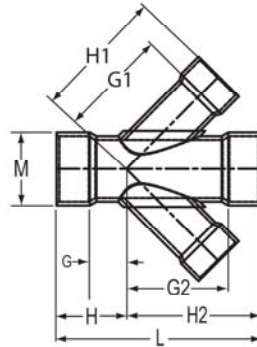


Fabricated Fittings Technical
PVC Schedule 40 & 80 DWV Fabricated Fittings

Double Wye SCH 40

(Continued)

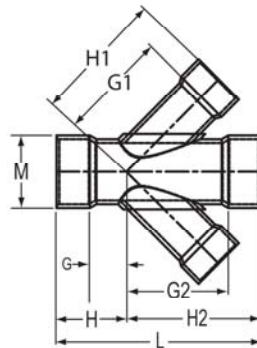
Socket x Socket x Socket x Socket



Part Number	Size	G	G1	G2	H	H1	H2	L	M	Approx. Wt. (Lbs.)
3776-200	20	11-7/16	30-5/16	30-5/16	21-7/16	40-5/16	40-5/16	61-3/4	21-3/16	237.79
3776-240	24	11	35	35	23	47	47	70	25-3/8	471.12

Double Wye SCH 80

Socket x Socket x Socket x Socket



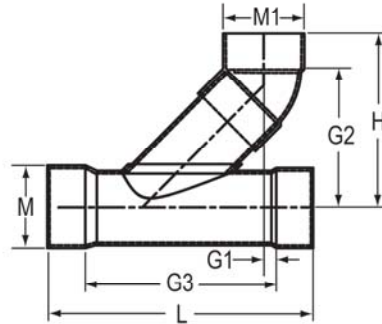
Part Number	Size	G	G1	G2	H	H1	H2	L	M	Approx. Wt. (Lbs.)
3976-020	2	3-7/8	6-1/4	6-1/4	5-7/16	7-13/16	7-13/16	13-3/16	2-7/8	2.88
3976-030	3	4-3/4	8-1/4	8-1/4	6-5/8	10-3/16	10-3/16	16-13/16	4-3/16	7.37
3976-040	4	4-11/16	9-3/16	9-3/16	6-15/16	11-7/16	11-7/16	18-3/8	5-3/16	8.74
3976-060	6	4-15/16	12-5/8	11-9/16	8-3/16	15-7/8	14-13/16	23	7-1/2	20.36
3976-080	8	5-1/16	15-7/8	13-11/16	9-5/16	20-1/8	17-15/16	27-1/4	9-5/8	36.94
3976-100	10	6-1/2	18-7/8	17-1/4	11-3/4	24-1/8	22-1/2	34-1/4	11-15/16	65.46
3976-120	12	7-1/8	21-13/16	19-7/8	13-3/8	28-1/16	26-1/8	39-1/2	14-1/8	115.90
3976-140	14	9-13/16	23-13/16	23-13/16	16-13/16	30-13/16	30-13/16	47-5/8	15-1/2	158.39
3976-160	16	10-1/8	26-1/8	26-1/8	18-1/8	34-1/8	34-1/8	52-1/4	17-11/16	212.20
3976-180	18	10	29-3/8	28	19	38-3/8	37	56	19-7/8	231.41
3976-200	20	11-5/8	31-5/8	31-5/8	21-5/8	41-5/8	41-5/8	63-1/4	22-1/16	399.59
3976-240	24	14-1/4	38-1/4	38-1/4	26-1/4	50-1/4	50-1/4	76-1/2	26-7/16	617.50

Fabricated Fittings Technical
PVC Schedule 40 & 80 DWV Fabricated Fittings



Combo Wye SCH 40

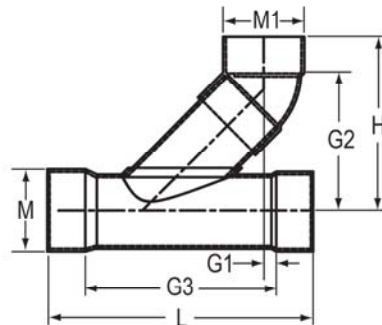
Socket x Socket x Socket



Part Number	Size	G1	G2	G3	H	L	M	M1	Approx. Wt. (Lbs.)
3777-060	6	15/16	12-9/16	16-3/8	15-5/8	22-7/8	7-3/16	7-1/4	13.10
3777-080	8	1/8	16-1/8	19-15/16	20-3/16	28-7/16	9-1/4	9-3/8	24.05
3777-100	10	5/8	19-1/4	23-13/16	24-5/16	34-5/16	11-1/2	12-1/16	50.22
3777-120	12	5/16	22-15/16	27-3/8	29-1/16	39-7/8	13-9/16	14-1/4	79.95
3777-140	14	1-1/4	29-5/16	28-3/8	36-5/16	42-3/8	14-7/8	14-7/8	79.27
3777-160	16	7/8	33	33-1/2	41	49-1/2	17	17	120.03
3777-180	18	1-3/8	36-9/16	36-7/8	45-9/16	54-7/8	19-1/8	19-1/8	169.38
3777-200	20	1-13/16	41-7/16	41-3/4	51-7/16	61-3/4	21-3/16	21-3/16	193.05
3777-240	24	4-5/16	50-5/16	46	62-5/16	70	25-3/8	25-3/8	359.69

Combo Wye SCH 80

Socket x Socket x Socket



Part Number	Size	G1	G2	G3	H	L	M	M1	Approx. Wt. (Lbs.)
3977-020	2	13/16	4-5/8	3-7/8	6-1/8	6-7/8	2-7/8	2-7/8	1.69
3977-030	3	7/8	6-1/2	5-3/4	8-3/8	9-9/16	4-3/16	4-3/16	4.18
3977-040	4	1-15/16	8-5/16	13-7/8	10-9/16	18-3/8	5-3/16	5-1/4	7.92
3977-060	6	1-3/8	11-15/16	16-1/2	14-15/16	23	7-1/2	7-9/16	20.48
3977-080	8	3/8	15-3/8	18-3/4	19-3/8	27-1/4	9-5/8	9-3/4	37.52
3977-100	10	15/16	22-9/16	23-3/4	27-13/16	34-1/4	11-15/16	11-15/16	64.76
3977-120	12	7/16	26-7/16	27	32-11/16	39-1/2	14-1/8	14-1/8	99.58
3977-140	14	2-1/2	28-9/16	33-5/8	35-9/16	47-5/8	15-1/2	15-1/2	141.89
3977-160	16	1-11/16	32-3/16	36-1/4	40-3/16	52-1/4	17-11/16	17-11/16	121.14
3977-180	18	1/2	35-7/8	38	44-7/8	56	19-7/8	19-7/8	279.15

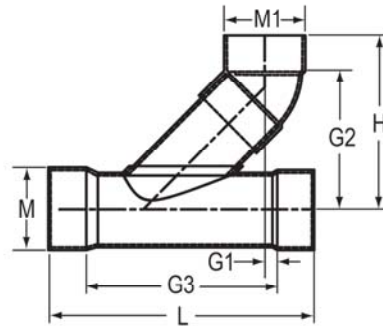


Fabricated Fittings Technical
PVC Schedule 40 & 80 DWV Fabricated Fittings

Combo Wye SCH 80

(Continued)

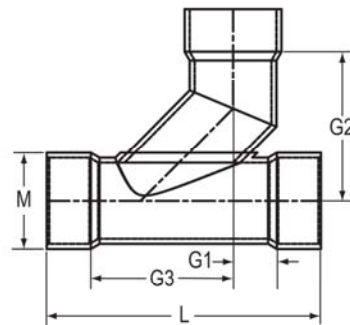
Socket x Socket x Socket



Part Number	Size	G1	G2	G3	H	L	M	M1	Approx. Wt. (Lbs.)
3977-200	20	1	39-9/16	43-1/4	49-9/16	63-1/4	22-1/16	22-1/16	399.59
3977-240	24	1-7/16	47-3/8	52-1/2	59-3/8	76-1/2	26-7/16	26-7/16	617.50

Sanitary Tee SCH 40

Socket x Socket x Socket



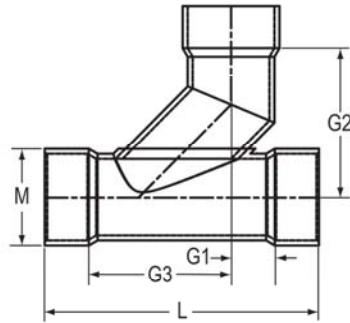
Part Number	Size	G1	G2	G3	H	L	M	Approx. Wt. (Lbs.)
3790-060	6	4-3/16	11-15/16	12-3/16	15-3/16	22-7/8	7-3/16	11.51
3790-080	8	4-5/8	15-3/16	15-5/16	19-7/16	28-7/16	9-1/4	21.24
3790-100	10	6-9/16	19-1/8	17-1/4	24-3/8	34-5/16	11-1/2	37.03
3790-120	12	5-5/8	21-13/16	21-3/4	28-1/16	39-7/8	13-9/16	55.83
3790-140	14	5-5/16	22-3/4	23-1/16	29-3/4	42-3/8	14-7/8	71.47
3790-160	16	6-5/8	25-1/2	26-7/8	33-1/2	49-1/2	17	105.59
3790-180	18	7-1/16	28-1/16	29-13/16	37-1/16	54-7/8	19-1/8	151.87
3790-200	20	7-9/16	32-1/16	34-3/16	42-1/16	61-3/4	21-3/16	236.40
3790-240	24	7-11/16	37-13/16	38-5/16	49-13/16	70	25-3/8	320.99

Fabricated Fittings Technical
PVC Schedule 40 & 80 DWV Fabricated Fittings



Sanitary Tee SCH 80

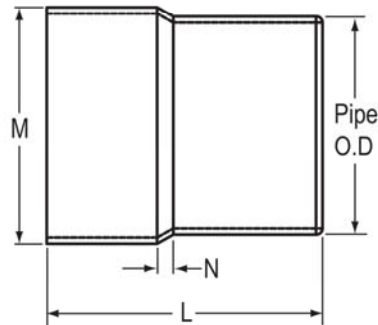
Socket x Socket x Socket



Part Number	Size	G1	G2	G3	H	L	M	Approx. Wt. (Lbs.)
3990-020	2	3-15/16	5-11/16	6-1/4	7-1/4	13-3/16	2-7/8	2.22
3990-030	3	4-5/8	7-7/16	8-3/8	9-3/8	16-13/16	4-3/16	5.45
3990-040	4	4-9/16	10-1/16	9-5/16	12-5/16	18-3/8	5-3/16	7.22
3990-060	6	4-5/8	12-1/16	11-7/8	15-5/16	23	7-1/2	16.96
3990-080	8	4-1/2	14-7/8	14-1/4	19-1/8	27-1/4	9-5/8	31.45
3990-100	10	5-11/6	17-13/16	18-1/16	23-1/16	34-1/4	11-15/16	58.78
3990-120	12	6-1/8	20-9/16	20-7/8	26-13/16	39-1/2	14-1/8	93.56
3990-140	14	8-3/4	22-5/16	24-7/8	29-5/16	47-5/8	15-1/2	127.04
3990-160	16	8-13/16	25-1/16	27-3/8	33-1/16	52-1/4	17-11/16	107.79
3990-180	18	8-9/16	27-13/16	29-7/16	36-13/16	56	19-7/8	313.87
3990-200	20	10	30-9/16	33-1/4	40-9/16	63-1/4	22-1/16	399.59
3990-240	24	12-1/4	36-9/16	40-1/4	48-9/16	76-1/2	26-7/16	617.50

IPS X Sewer Adapter SCH 40

IPS Socket x Sewer Spigot



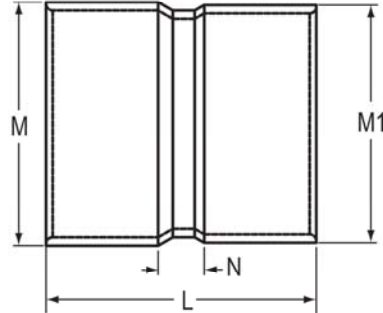
Part Number	Size	L	M	N	Approx. Wt. (Lbs.)
3729-04013IXS	4	6-1/8	4-3/4	7/16	.52
3729-06013IXS	6	8-1/4	7	1	1.71
3729-08013IXS	8	10-5/8	9-1/8	5/8	3.67
3729-10013IXS	10	12-1/2	11-3/8	1-1/4	7.15
3729-12013IXS	12	14-1/2	13-1/2	1-1/4	11.66



Fabricated Fittings Technical
PVC Schedule 40 & 80 DWV Fabricated Fittings

IPS X Sewer Adapter SCH 40

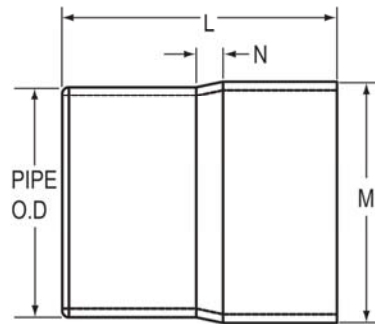
IPS Socket x Sewer Socket



Part Number	Size	L	M	M1	N	Approx. Wt. (Lbs.)
3729-040IXS	4	6	5	4-11/16	1-1/2	1.10
3729-060IXS	6	7-3/4	7-3/16	6-13/16	1-1/4	2.64
3729-080IXS	8	10-1/4	9-1/4	9- 1/16	1-3/4	4.86
3729-100IXS	10	12-7/8	11-1/2	11-1/4	2-3/8	8.78
3729-120IXS	12	14-5/8	13-9/16	13-5/16	2-1/8	12.55

IPS X Sewer Adapter SCH 40

IPS Spigot x Sewer Socket



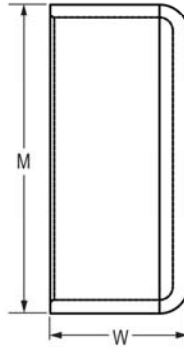
Part Number	Size	L	M	N	Approx. Wt. (Lbs.)
3729-04031IXS	4	5-7/8	4-11/16	7/16	1.01
3729-06031IXS	6	8-1/16	6-13/16	13/16	2.42
3729-08031IXS	8	10-1/4	9-1/16	1	4.84
3729-10031IXS	10	12-1/4	11-1/4	1	8.16
3729-12031IXS	12	14-1/2	13-5/16	1-1/4	12.42

Fabricated Fittings Technical
PVC Schedule 40 & 80 DWV Fabricated Fittings



Cap SCH 40

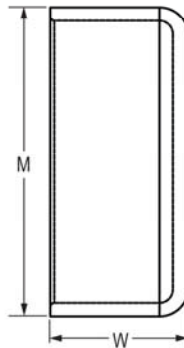
Socket



Part Number	Size	M	W	Approx. Wt. (Lbs.)
3747-040	4	4-7/8	2-1/4	.35
3747-060	6	7-1/4	3-1/4	1.34
3747-080	8	9-1/4	3-1/4	2.20
3747-100	10	11-9/16	3-3/4	3.85
3747-120	12	13-9/16	4-1/8	5.77
3747-140	14	14-13/16	5-3/4	8.37
3747-160	16	17-1/8	5-1/2	12.40
3747-180	18	18-7/8	5-7/8	12.68
3747-200	20	21-3/16	6-7/8	19.27
3747-240	24	25-3/16	6-3/4	28.06

Cap SCH 80

Socket



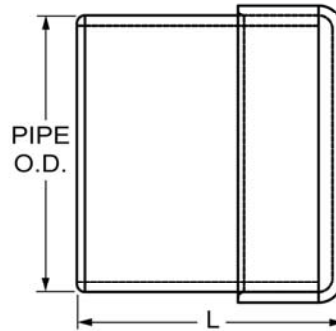
Part Number	Size	M	W	Approx. Wt. (Lbs.)
3947-040	4	4-7/8	2-1/4	.41
3947-060	6	7-1/4	3-1/4	1.32
3947-080	8	9-1/4	3-1/4	1.87
3947-100	10	11-9/16	3-3/4	3.85
3947-120	12	13-9/16	4-1/8	5.74
3947-140	14	14-13/16	5-3/4	8.06
3947-160	16	17-1/8	5-1/2	11.89
3947-180	18	18-7/8	5-7/8	11.67
3947-200	20	21-3/16	6-7/8	20.59
3947-240	24	25-3/16	7	30.00



Fabricated Fittings Technical
PVC Schedule 40 & 80 DWV Fabricated Fittings

Spigot Plug SCH 40

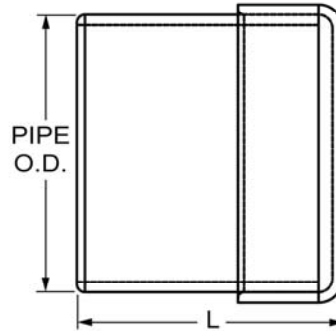
Spigot



Part Number	Size	L	Approx. Wt. (Lbs.)
3749-060	6	7-1/4	3.48
3749-080	8	8-1/4	5.96
3749-100	10	9-3/4	10.13
3749-120	12	11-1/8	16.54
3749-140	14	13-3/4	21.56
3749-160	16	14-1/2	32.07

Spigot Plug SCH 80

Spigot



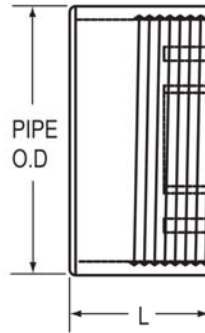
Part Number	Size	L	Approx. Wt. (Lbs.)
3949-060	6	7-1/4	4.05
3949-080	8	8-1/4	7.26
3949-100	10	9-3/4	11.45
3949-120	12	11-1/8	22.50
3949-160	16	14-1/2	15.49

Fabricated Fittings Technical
PVC Schedule 40 & 80 DWV Fabricated Fittings



**Cleanout Adapter w/Plug SCH
 80**

Spigot x Cleanout
 (Non-Pressure Rated)



Part Number	Size	L	Approx. Wt. (Lbs.)
3978-020	2	1-3/4	.22
3978-030	3	2	.50
3978-040	4	2-1/2	.92
3978-060	6	3-1/2	2.40
3978-080	8	4-1/2	4.47
3978-100	10	5-1/2	7.77
3978-120	12	6-1/2	12.00
3978-140	14	7-1/2	16.56
3978-160	16	8-1/2	23.17
3978-180	18	9	30.66
3978-200	20	10	40.96
3978-240	24	12	66.36