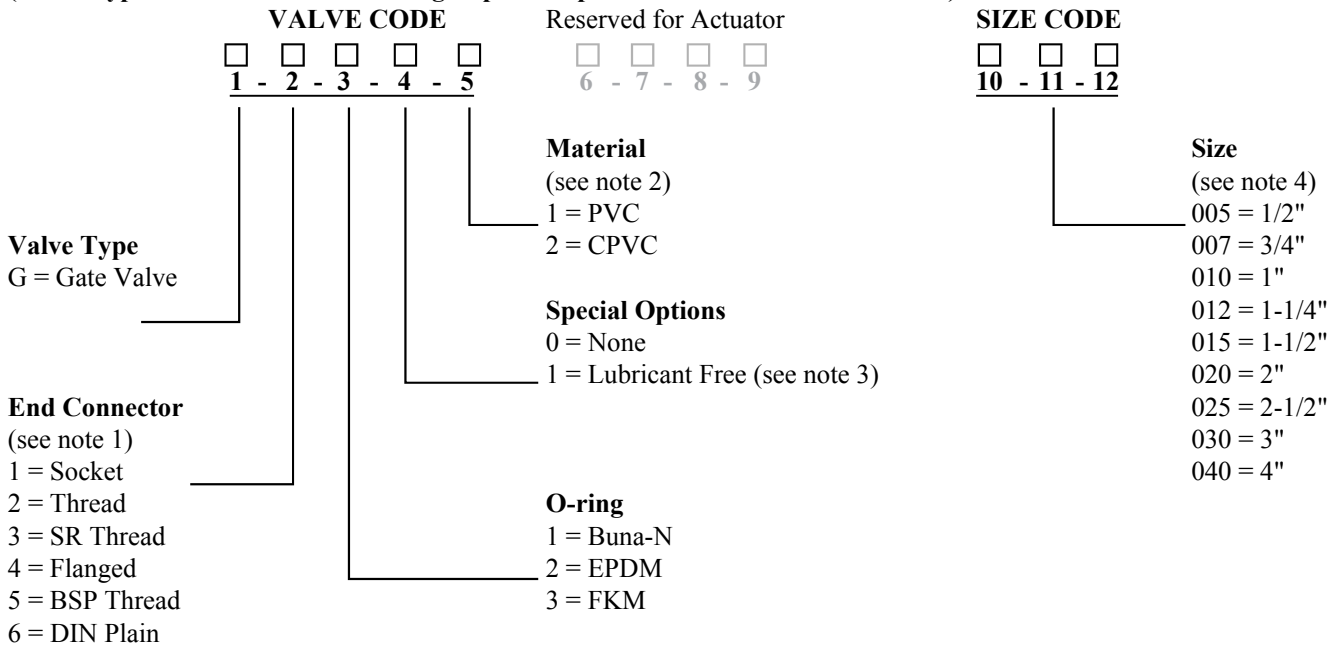


Actuated Valves Technical
Gate Valves Selection (special order)



Table 3A: GATE VALVES (Special Order Only - Contact Spears® for Availability)
(Valve Type - End Connector - O-ring - Special Options - Material - Size Selection)



Notes:

- 1 - SR thread style available on 3" & 4" size only.
Din Plain metric available in 20 mm - 63 mm only.
- 2 - PVC valves have polypropylene gate wedge, CPVC valves have CPVC gate wedge
- 3 - Standard valves are assembled with non-silicone lubricant.
- 4 - Valve size 2-1/2" is 3" valve with 2-1/2" reducer bushings.