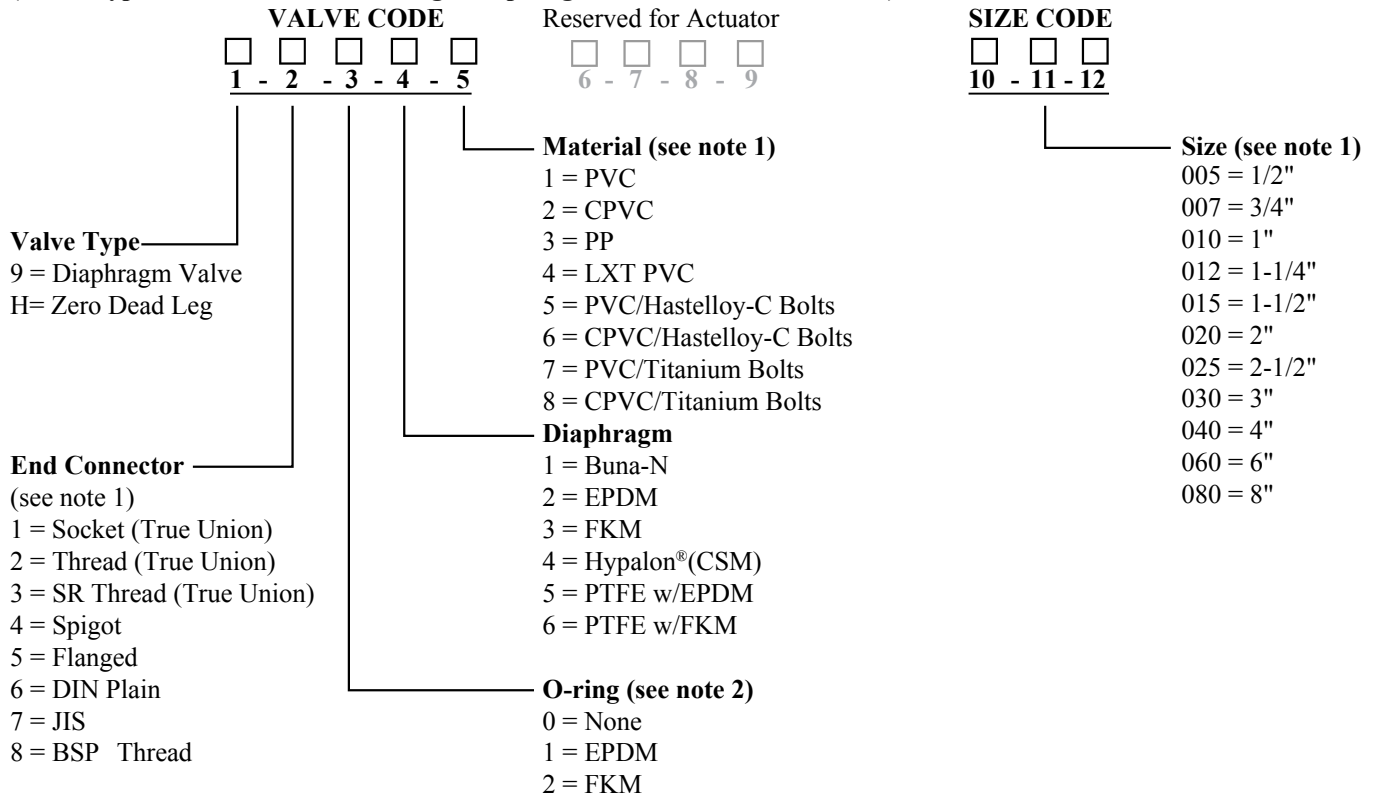




## Actuated Valves Technical Diaphragm Valve Selection

**Table 3: DIAPHRAGM VALVES**  
(Valve Type - End Connector - O-ring - Diaphragm -Material - Size Selection)



**Notes:**

- 1 - All valves with socket, thread, or SR thread end connectors are True Union style only.  
 Socket end connectors available on PVC and CPVC valve sizes 1/2" - 2" only.  
 Thread and SR thread end connectors available on PVC, CPVC, and PP valve sizes 1/2" - 2" only.  
 DIN, JIS, and BSP end connectors available on PVC and CPVC valve sizes 1/2" - 2" only.  
 Flanged end connectors available on all sizes of PVC and CPVC valves.  
 Flanged end connectors available on PP valve sizes 3" and larger only.  
 Zero Dead Leg valves are Socket Tee x selected End Connector code.
- 2 - O-rings are use on True Union style valves sizes 1/2" - 2" with socket, thread, or SR thread end connectors only.  
 Enter "0" for all other end connector selections.