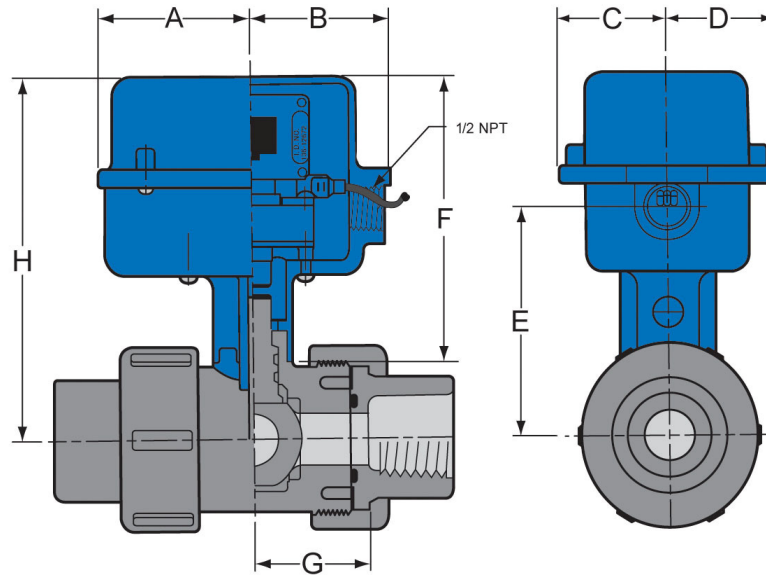


Actuated Valves Technical  
**Electro True Union Ball Valve Dimensions**



**True Union Ball Valve**



**Actuated True Union Ball Valve Dimensions**

Valve Size	A	B	C	D	E	F	G	H
1/2	2-7/8	2-1/2	2	2	3-3/8	5-5/8	2-5/16	6-5/8
3/4	2-7/8	2-1/2	2	2	3-9/16	5-5/8	2-5/16	6-7/8
1	2-7/8	2-1/2	2	2	3-5/8	5-5/8	2-5/16	7-1/16
1-1/4	3-5/8	2-7/16	2	2	4-13/16	5-7/8	2-7/16	7-5/8
1-1/2	3-5/8	2-7/16	2	2	5	5-7/8	2-7/16	7-7/8
2	3-5/8	2-7/16	2	2	5-1/2	5-7/8	2-7/16	8-3/8

**Valve:** PVC or CPVC Industrial Grade Valve  
 Double Union Style with Blocked Seal Carrier  
 Fully Repairable & Adjustable  
 PTFE Seats  
 EPDM or FKM O-rings

Socket, Threaded or Flanged End Connection  
 Vacuum Service Rated  
 Pressure rated to 235 psi water @ 73°F  
 (Flanged to 150 psi)

**Sample Engineering Specification**

All actuated ball valves shall be PVC or CPVC construction with direct mount electric actuator. Valve shall be True Union type, pressure rated to 235 psi @ 73°F (150 psi for flanged), with buttress threaded union nuts, PTFE seats, Safe-T-Shear® Stem, EPDM or FKM O-rings, and socket, threaded or flanged end connections. Actuator shall be direct mount, with brushless non-reversing quarter turn motors and built in visual open/close position indicator. Actuator housing shall be weather proof and corrosion proof (NEMA 4X) with type 316 stainless steel fasteners, as manufactured by Spears® Manufacturing Company.