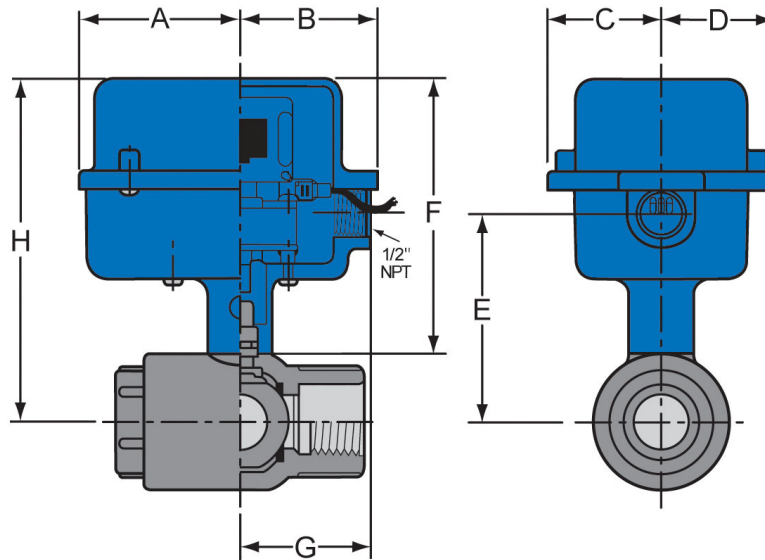




Actuated Valves Technical
Electro Compact Ball Valve Dimensions

Compact Ball Valve



Actuated Compact Ball Valve Dimensions

Valve Size	A	B	C	D	E	F	G	H
1/2	2-7/8	2-1/2	2	2	3-3/8	5-5/8	2-5/16	6-5/8
3/4	2-7/8	2-1/2	2	2	3-9/16	5-5/8	2-5/16	6-7/8
1	2-7/8	2-1/2	2	2	3-5/8	5-5/8	2-5/16	7-1/16
1-1/4	3-5/8	2-7/16	2	2	4-3/4	5-7/8	2-7/16	7-5/8
1-1/2	3-5/8	2-7/16	2	2	5	5-7/8	2-7/16	7-7/8
2	3-5/8	2-7/16	2	2	5-1/2	5-7/8	2-7/16	8-3/8

Valve: PVC or CPVC Industrial Grade Valve,
 Non-Repairable Sealed Unit
 PTFE Seats
 EPDM or FKM O-rings

Socket, Threaded or Flanged End Connection
 Vacuum Service Rated
 Pressure rated to 235 psi water @ 73°F
 (Flanged to 150 psi)

Sample Engineering Specification

All actuated ball valves shall be PVC or CPVC construction with direct mount electric actuator. Valve shall be compact sealed unit type, pressure rated to 235 psi @ 73°F (150 psi for flanged), with PTFE seats, Safe-T-Shear® Stem, EPDM or FKM O-rings, and socket, threaded or flanged end connections. Actuator shall be direct mount, with brushless non-reversing quarter turn motors and built in visual open/close position indicator. Actuator housing shall be weather proof and corrosion proof (NEMA 4X) with type 316 stainless steel fasteners, as manufactured by Spears® Manufacturing Company.