

1-Gallon LabWaste® Dilution Tanks



LabWaste® 1-Gallon CPVC Dilution Tanks

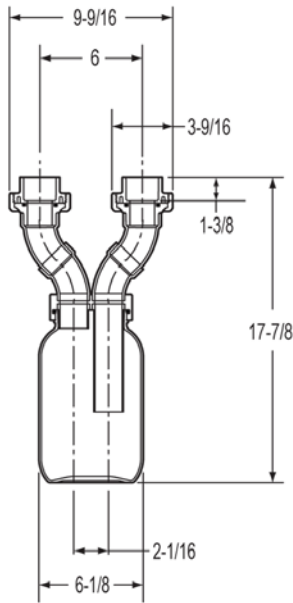
Provides chemical dilution from water rinse during use. Designed for under-sink installations. CPVC construction with Glass or PP Jar type tank.



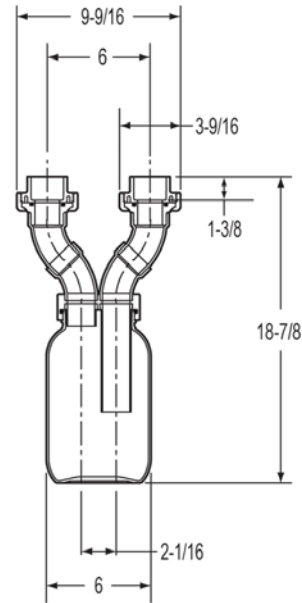
Nominal US Gallons	Inlet & Outlet Size (in.)	Inlet & Outlet Connection	CPVC Tank Part Glass Jar Tank No.	Prod Code
1	1-1/2	Socket Union	T3001G1515 443.47	169

Nominal US Gallons	Inlet & Outlet Size (in.)	Inlet & Outlet Connection	CPVC Tank Part Polypropylene Jar Tank No.	Prod Code
1	1-1/2	Socket Union	T3001P1515 319.29	169

Dimensions



Glass



Polypropylene