



## LabWaste® Standard CPVC & HDPE Neutralization Tanks

### Acid Neutralization/Dilution Tanks for Use With LabWaste® CPVC Systems

Neutralization or dilution tanks are required by codes for the purpose of neutralizing corrosive wastes. Corrosive liquids, spent acids or other harmful chemicals that destroy or damage a drain, sewer, soil or waste pipe, or create noxious or toxic fumes or interfere with sewage treatment processes are prohibited from discharge into the plumbing system without being neutralized or treated. Spears® offers a standard selection of HDPE tanks in 5 gallon to 3000 gallon capacities and CPVC tanks in 5 gallon to 55 gallon capacities with connection and vent options listed below, plus convenient 1- gallon Dilution Tank designed for under-sink installation. Tanks can also be produced in virtually any custom size, shape, or connection configuration. Contact Spears® Technical Services with desired specifications for custom quotation.

#### Standard HDPE Round Tanks Technical Information

Construction: HDPE – High Density Polyethylene

Tank Capacity US Gallons	Approx Useable Capacity, US Gallons		Inside Dimension Dia. x Ht. (in.)	Wall Thickness (in.)	Approx Weight (lbs)	Standard Inlet & Outlet Connection Size (in.)	Standard Fitting Connection	LabWaste® Transition Connection Fitting <sup>3</sup>	Optional <sup>4</sup> Vent Connection Size (in.)	Approx. Centerline Height (in.) <sup>5</sup>		
	Without Limestone	With Limestone								Inlet	Outlet	Vent
5	3	1	11 x 14	3/16	10	1-1/2 or 2	Mipt	P101	1-1/2 or 2	11	8	12
15	7	2	18 x 15	3/16	20	1-1/2 or 2	Mipt	P101	1-1/2 or 2	11	8	12
30	19	6	18 x 29	3/16	35	3	Mipt	P101	2 or 3	23	19	25
55	35	12	22 x 36	3/16	50	4	Mipt	P101	3 or 4	27	23	31
100	77	26	28 x 42	1/4	85	4	Mipt	P101	3 or 4	35	31	37
150	105	35	31 x 48	1/4	100	4	Mipt	P101	3 or 4	38	34	42
175	135	45	30 x 60	1/4	125	4	Mipt	P101	3 or 4	51	47	54
200	137	46	36 x 48	1/4	125	4 or 6	Mipt/Flange	P101/854	4 or 6	38	34	42
275	186	62	42 x 48	1/4	160	4 or 6	Mipt/Flange	P101/854	4 or 6	38	34	42
300	230	76	36 x 74	5/16	175	4 or 6	Mipt/Flange	P101/854	4 or 6	61	56	65
350	243	81	48 x 48	5/16	200	4 or 6	Mipt/Flange	P101/854	4 or 6	38	34	42
500	395	132	52 x 60	3/8	225	4 or 6	Mipt/Flange	P101/854	4 or 6	51	47	54
550	447	149	48 x 72	3/8	275	4 or 6	Mipt/Flange	P101/854	4 or 6	64	60	67
650	548	183	48 x 84	3/8	375	4 or 6	Mipt/Flange	P101/854	4 or 6	75	71	76
1200	1052	351	69 x 84	3/8	600	4 or 6	Mipt/Flange	P101/854	4 or 6	74	68	76
2000 <sup>1</sup>	1559	521	84 x 84	1/2	850	4 or 6	Mipt/Flange	P101/854	4 or 6	74	68	76
3000 <sup>1</sup>	2203	735	95 x 97	1/2	1350	4 or 6	Mipt/Flange	P101/854	4 or 6	87	83	91

( Important Notes on the following page )



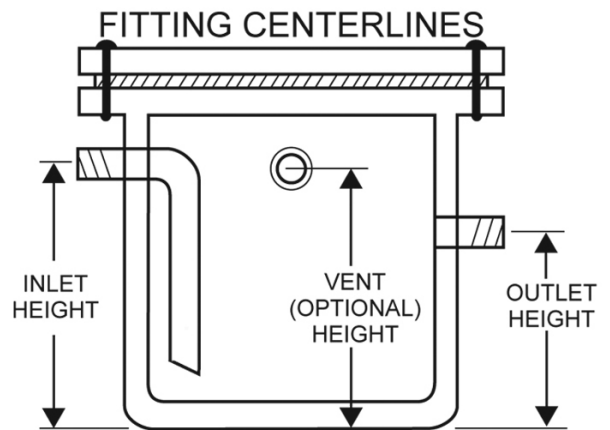
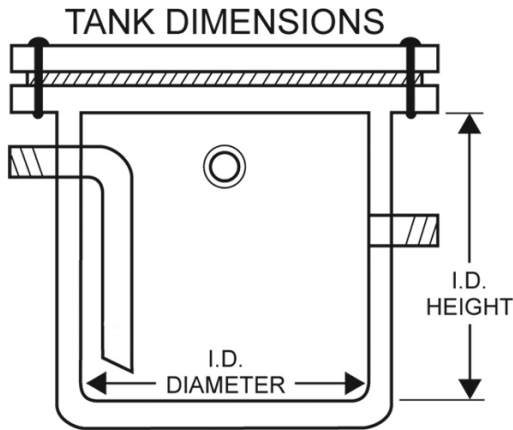
## Standard CPVC Round Tanks Technical Information

Construction: Chlorinated Polyvinyl Chloride (CPVC)

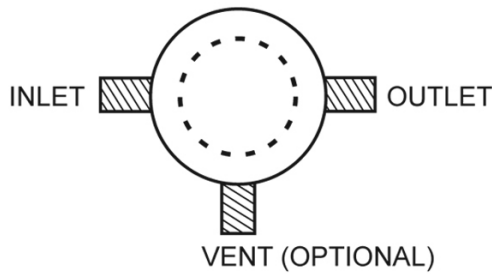
Tank Capacity US Gallons	Approx Useable Capacity, US Gallons		Inside Dimension Dia. x Ht. (in.)	Wall Thickness (in.)	Approx Weight (lbs)	Standard <sup>2</sup> Inlet & Outlet Connection Size (in.)	Standard Fitting Connection	LabWaste® Transition Connection Fitting <sup>3</sup>	Optional <sup>4</sup> Vent Connection Size (in.)	Approx. Centerline Height (in.) <sup>5</sup>		
	Without Limestone	With Limestone								Inlet	Outlet	Vent
5	5	3	12-3/8 x 15-1/2	3/16	20	1-1/2 or 2	Soc	direct	1-1/2 or 2	11	8	12
15	15	7	17-11/16 x 17-1/4	3/16	35	1-1/2 or 2	Soc	direct	1-1/2 or 2	11	8	12
30	30	18	17-5/8 x 33	3/16	54	3	Soc	direct	2 or 3	23	18	25
55	55	35	23-1/2 x 38-1/2	1/4	70	4	Soc	direct	3 or 4	27	23	31

## Important Notes

1. Larger HDPE tanks may include exterior steel banding or fiberglass reinforcement for additional strength. Special ordered optional inspection manhole ports are recommended for larger tanks (includes cover with neoprene gasket, stainless steel nuts, bolts, and washers).
2. All tanks can be special ordered with Mipt, Flanged (150#), and Fipt connections or varying combinations other than standard connections specified. Inlets or vents may also be custom ordered for installation in covers instead of tank sides.
3. For transitions from Mipt HDPE tank connections to **LabWaste**® piping use part numbers P101-xxxC, Female Adapter. CPVC tank sockets can be cemented directly to **LabWaste**® piping. For transitions from ALL flanged connections to **LabWaste**® piping use part numbers 854-xxxC, Flange (xxx = size code).
4. Venting is required by codes but may be accomplished either at the tank or in-line.
5. Neutralization tanks and tank extensions are not warranted for direct burial applications. Tanks must be properly placed and secured with no applied stresses, within a dry concrete vault with use of a protective traffic cover as deemed appropriate. However, if direct burial is used without warranty, custom centerlines must be furnished from top of cover down to fitting centerline instead of specified tank bottom to fittings centerline since tank heights can vary.



**TOP VIEW  
STANDARD FITTING LOCATIONS**



(Advise If You Want  
Standard Locations Changed)

